

[54] MANUAL FULL WEB STRETCH-WRAP  
PALLET WRAPPER

4,095,395 6/1978 Goldstein ..... 53/210  
4,109,445 8/1978 Shulman ..... 53/210

[76] Inventor: John W. Powell, III, 4305 Reef Rd.,  
Marietta, Ga. 30066

Primary Examiner—B. J. Bullock  
Attorney, Agent, or Firm—Louis T. Isaf

[\*\*] Term: 14 Years

[57] CLAIM

[21] Appl. No.: 99,497

The ornamental design for a manual full web stretch-wrap pallet wrapper, substantially as shown.

[22] Filed: Dec. 3, 1979

DESCRIPTION

[51] Int. Cl. .... D15-99

[52] U.S. Cl. .... D15/145

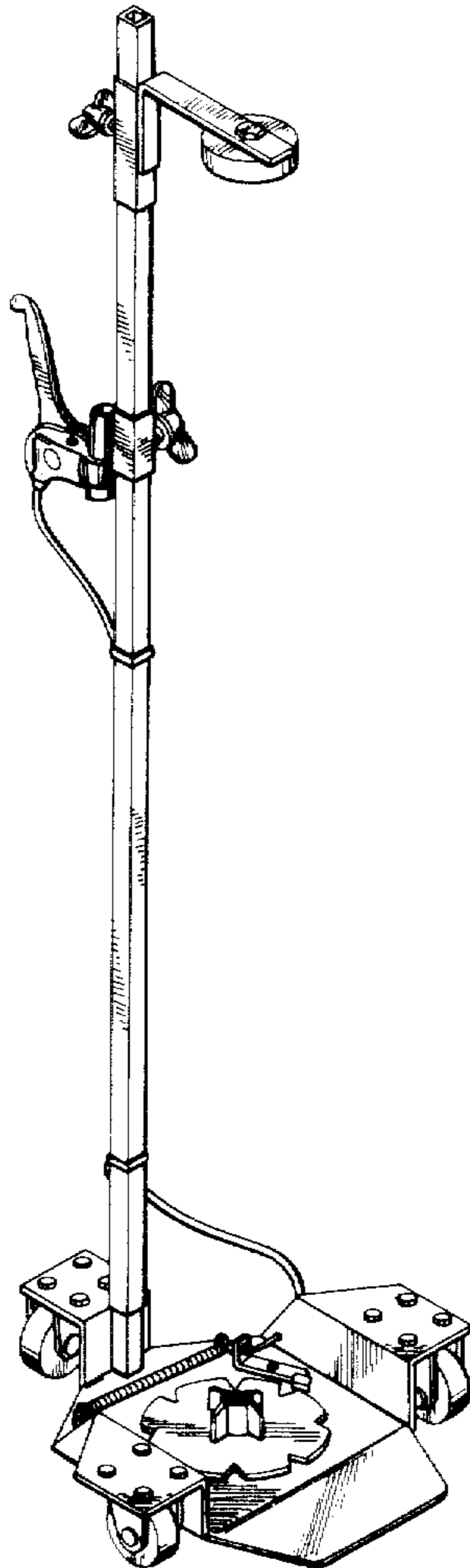
[58] Field of Search ..... 53/203, 210, 218, 589;  
D15/145

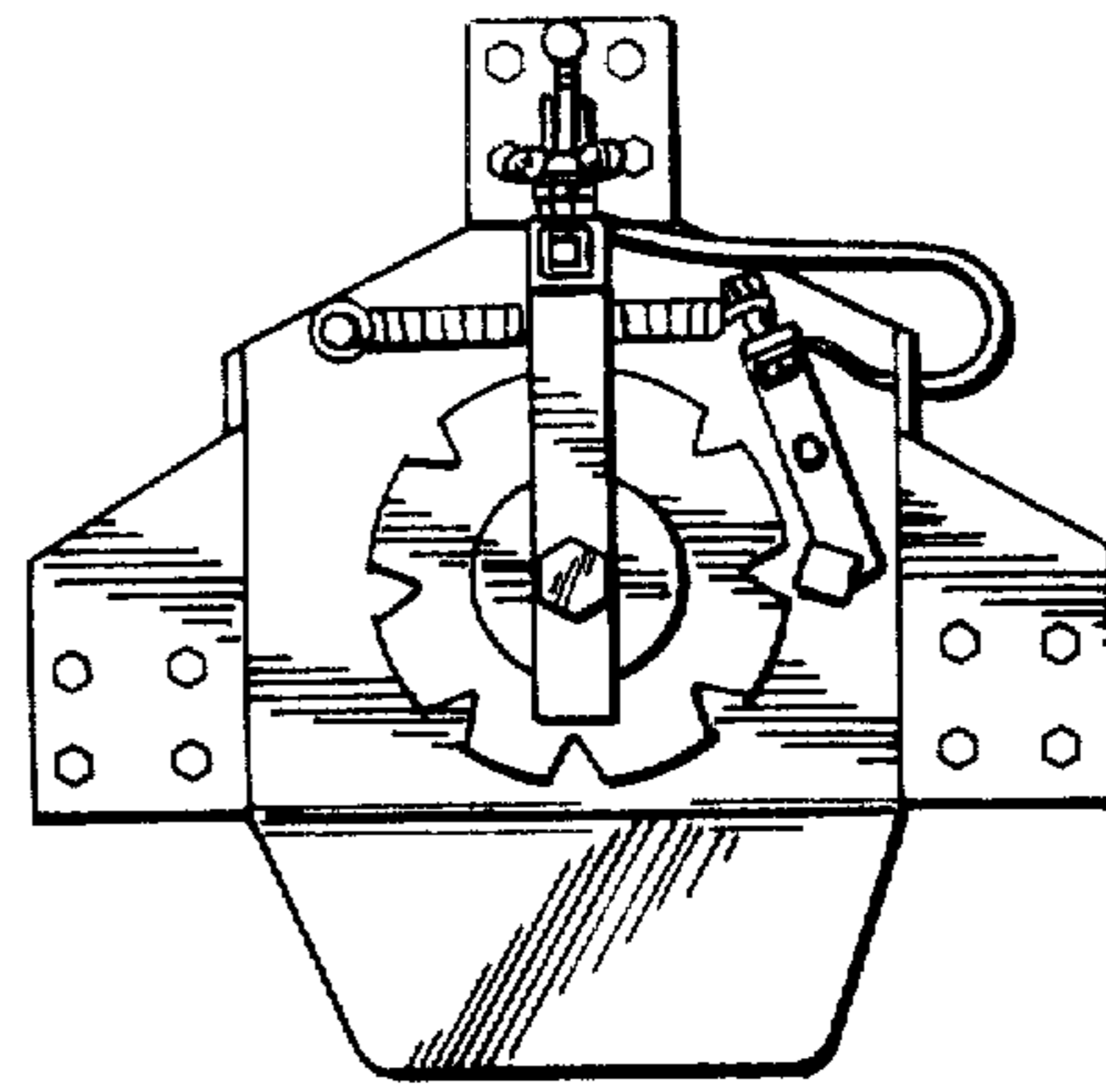
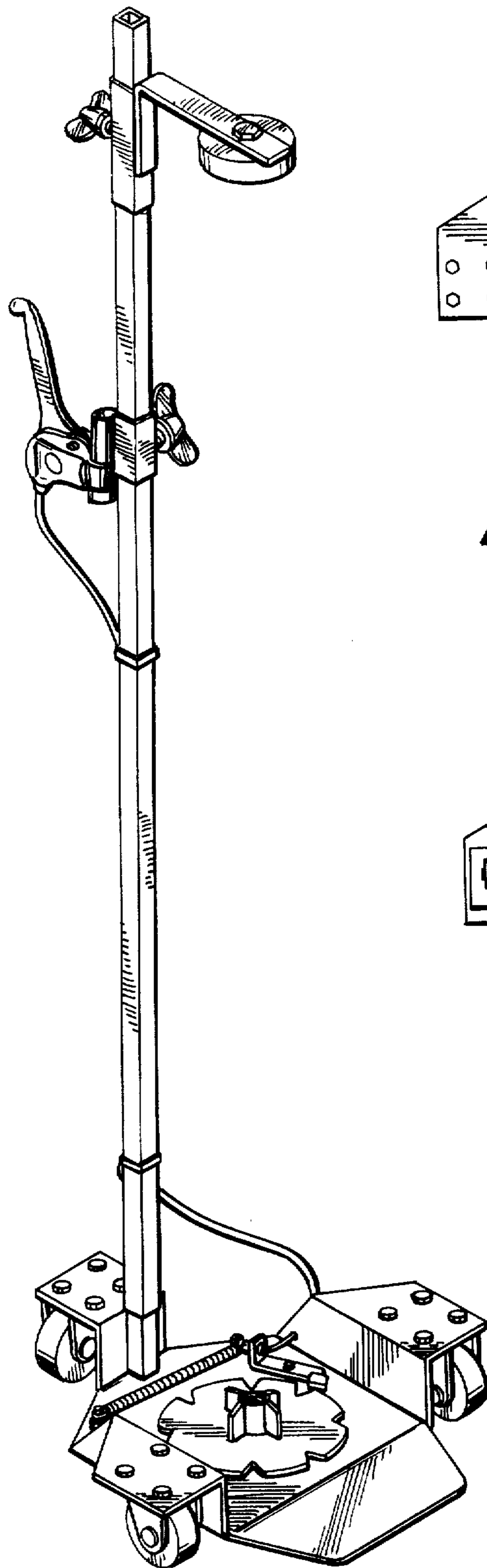
FIG. 1 is a perspective view of a manual full web stretch-wrap pallet wrapper showing my new design;  
FIG. 2 is a top plan view thereof;  
FIG. 3 is a bottom plan view thereof;  
FIG. 4 is a reduced side elevational view taken from the right of FIG. 1;  
FIG. 5 is a reduced side elevational view taken from the left of FIG. 1;  
FIG. 6 is a reduced front elevational view thereof;  
FIG. 7 is a reduced rear elevational view thereof.

[56] References Cited

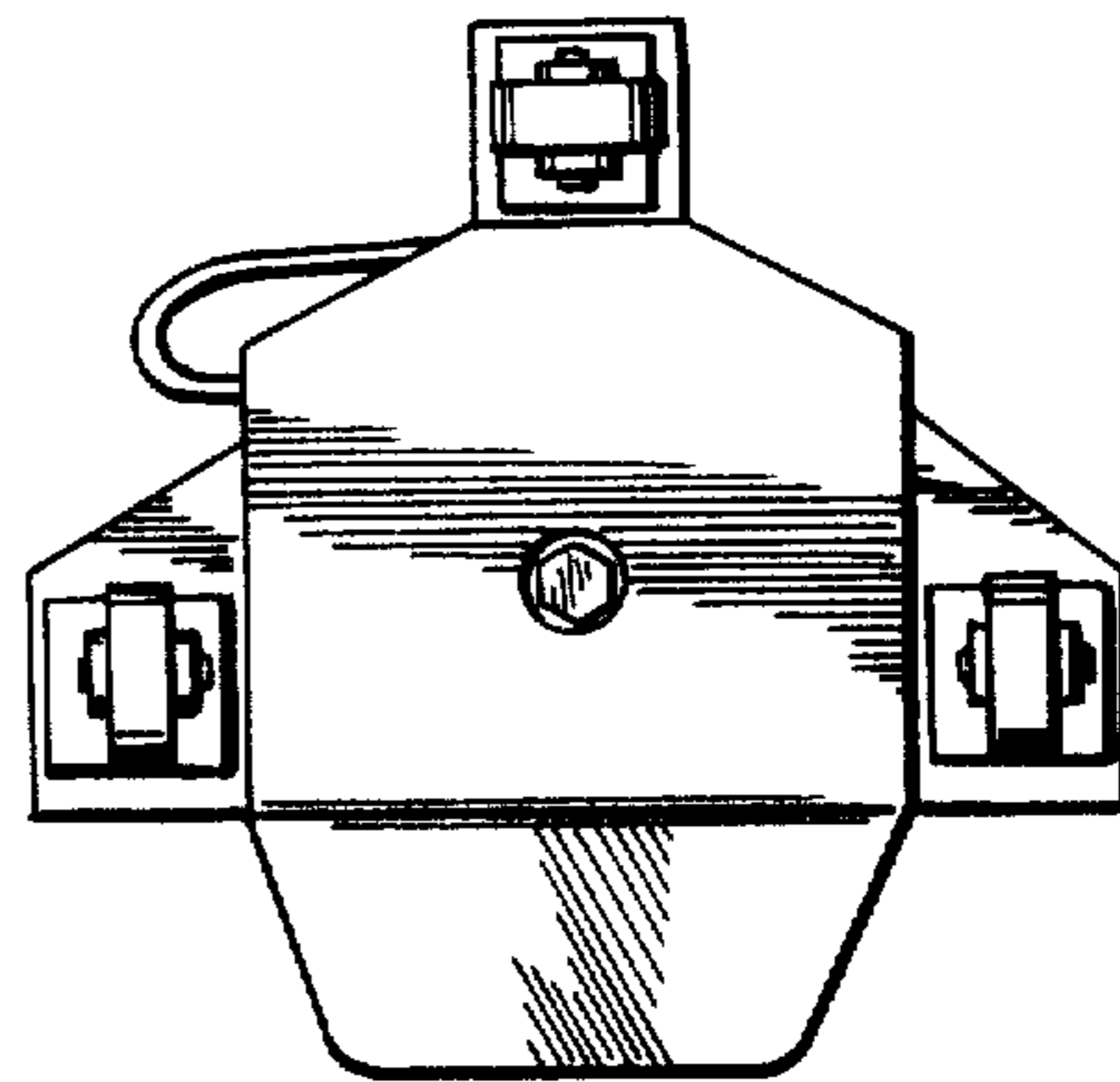
U.S. PATENT DOCUMENTS

D. 197,916 4/1964 Thompson ..... D15/145  
D. 256,022 7/1980 Shulman ..... D15/145  
4,067,174 1/1978 Goldstein ..... 53/210



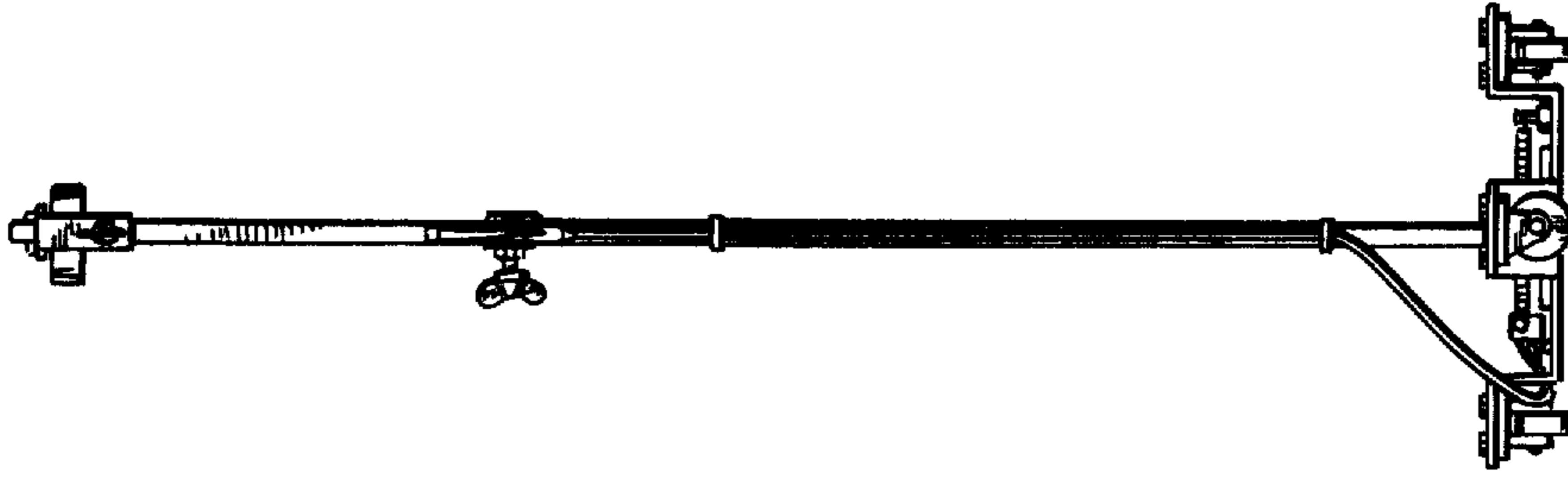


*Fig. 2*

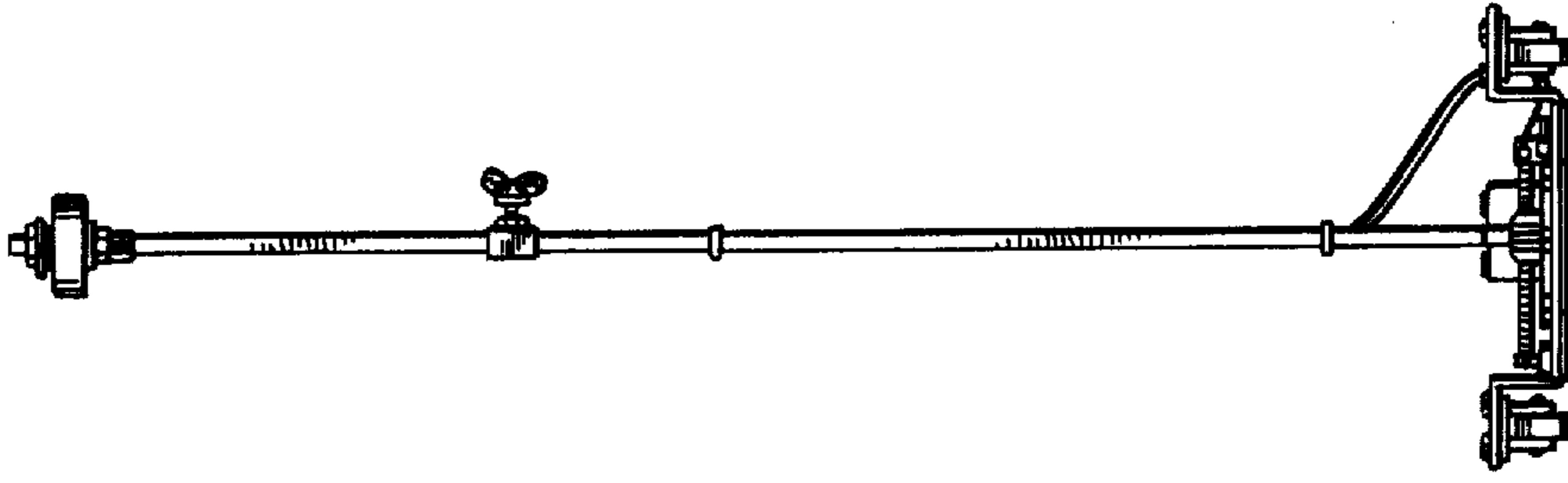


*Fig. 3*

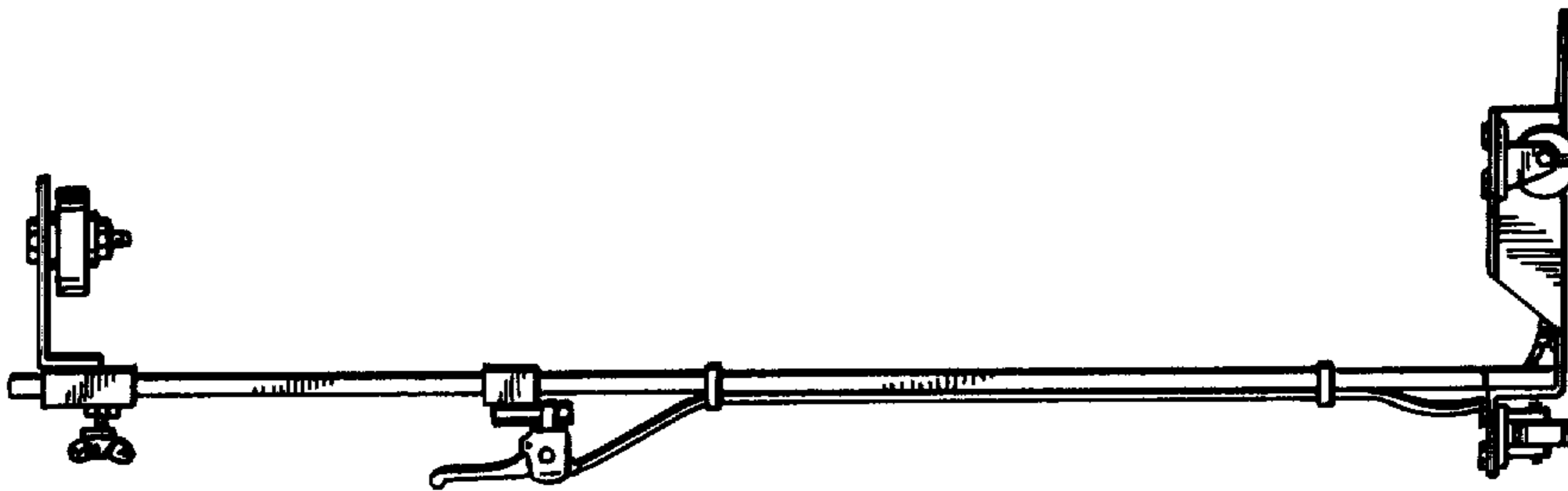
*Fig. 1*



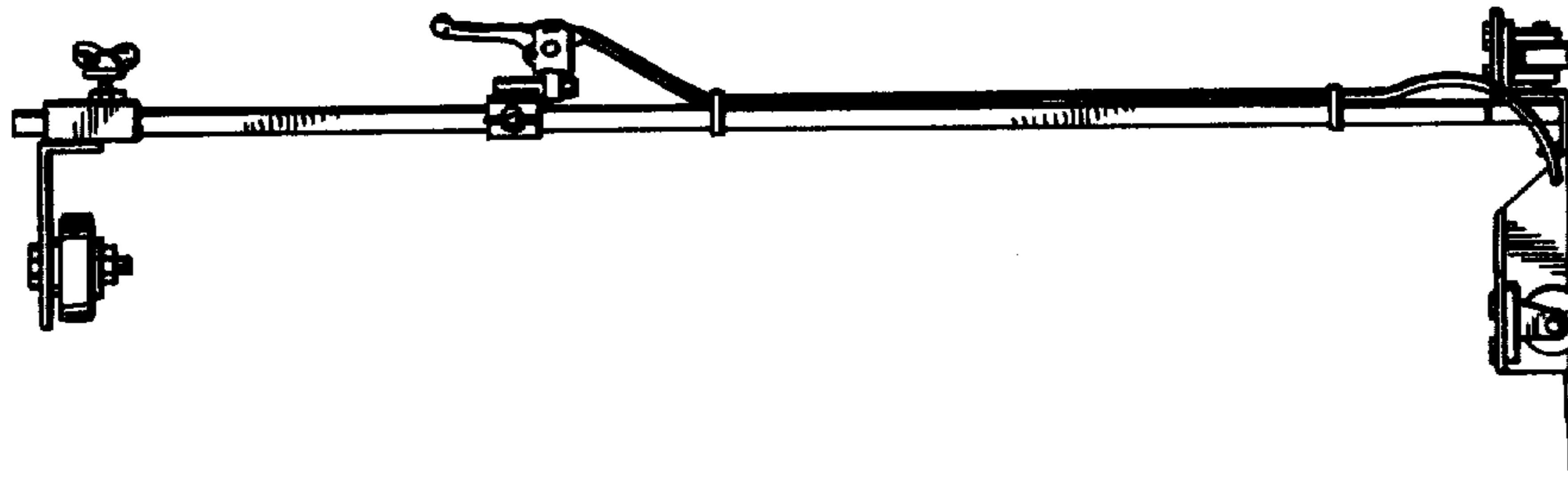
**Fig. 7**



**Fig. 6**



**Fig. 5**



**Fig. 4**