

[54] FLUID PUMP OR SIMILAR ARTICLE

[75] Inventor: Herman S. Fessler, Coon Rapids, Minn.  
[73] Assignees: The Coca-Cola Company, Atlanta, Ga.; The Cornelius Company, Anoka, Minn.

[\*\*] Term: 14 Years

[21] Appl. No.: 116,504

[22] Filed: Jan. 29, 1980

[51] Int. Cl. .... D15-02

[52] U.S. Cl. .... D15/7

[58] Field of Search .... D15/7-9; 417/395, 413

[56] References Cited

U.S. PATENT DOCUMENTS

2,690,859 10/1954 Snyder ..... 417/395

2,711,134 6/1955 Hughes ..... 417/395  
3,000,320 9/1961 Ring ..... 417/395 X  
3,816,034 6/1974 Rosenquest, Jr. .... 417/395  
4,086,036 4/1978 Hagen et al. .... 417/413  
4,162,549 7/1979 Charles et al. .... 417/395 X  
4,231,721 11/1980 Hawk et al. .... 417/413

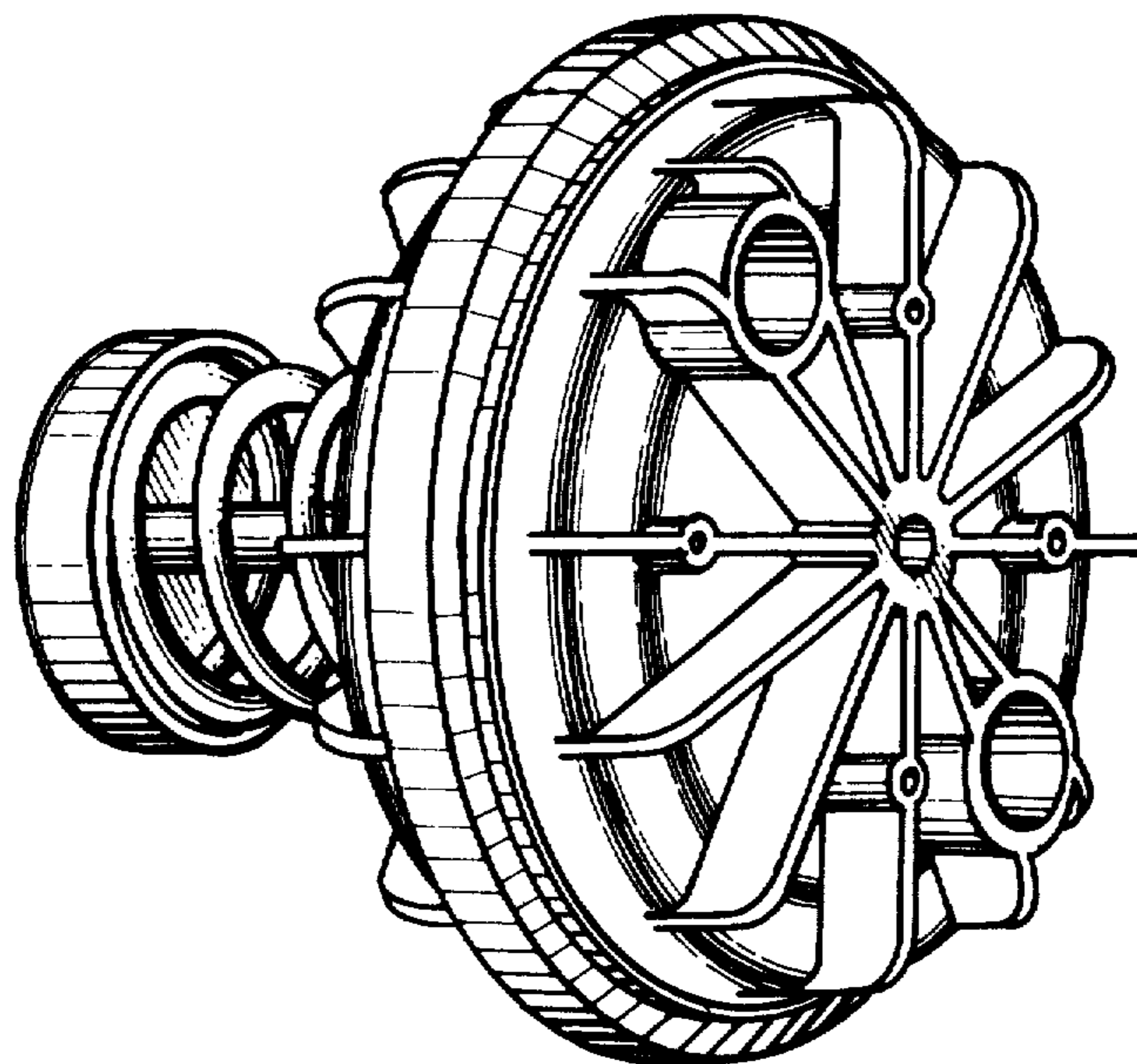
Primary Examiner—James R. Largen  
Attorney, Agent, or Firm—Henry C. Kovar

[57] CLAIM

The ornamental design for a fluid pump or similar article, substantially as shown and described.

DESCRIPTION

FIG. 1 is a front perspective view of a fluid pump or similar article embodying my new design; FIG. 2 is a rear perspective view thereof; FIG. 3 is a front elevational view thereof; FIG. 4 is a side elevational view thereof, the other side being a mirror image thereof; and FIG. 5 is a rear elevational view thereof.



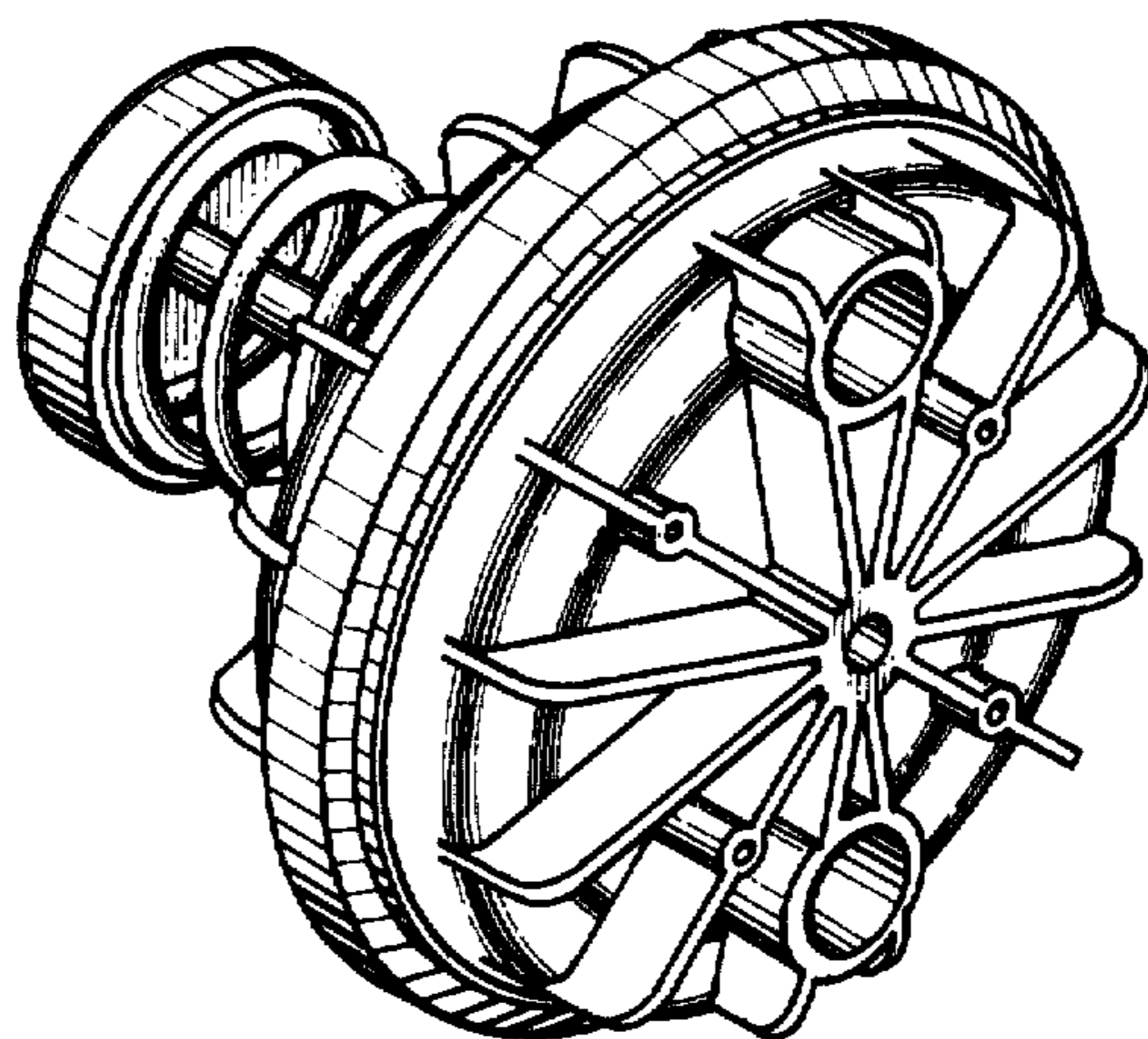


FIG.1

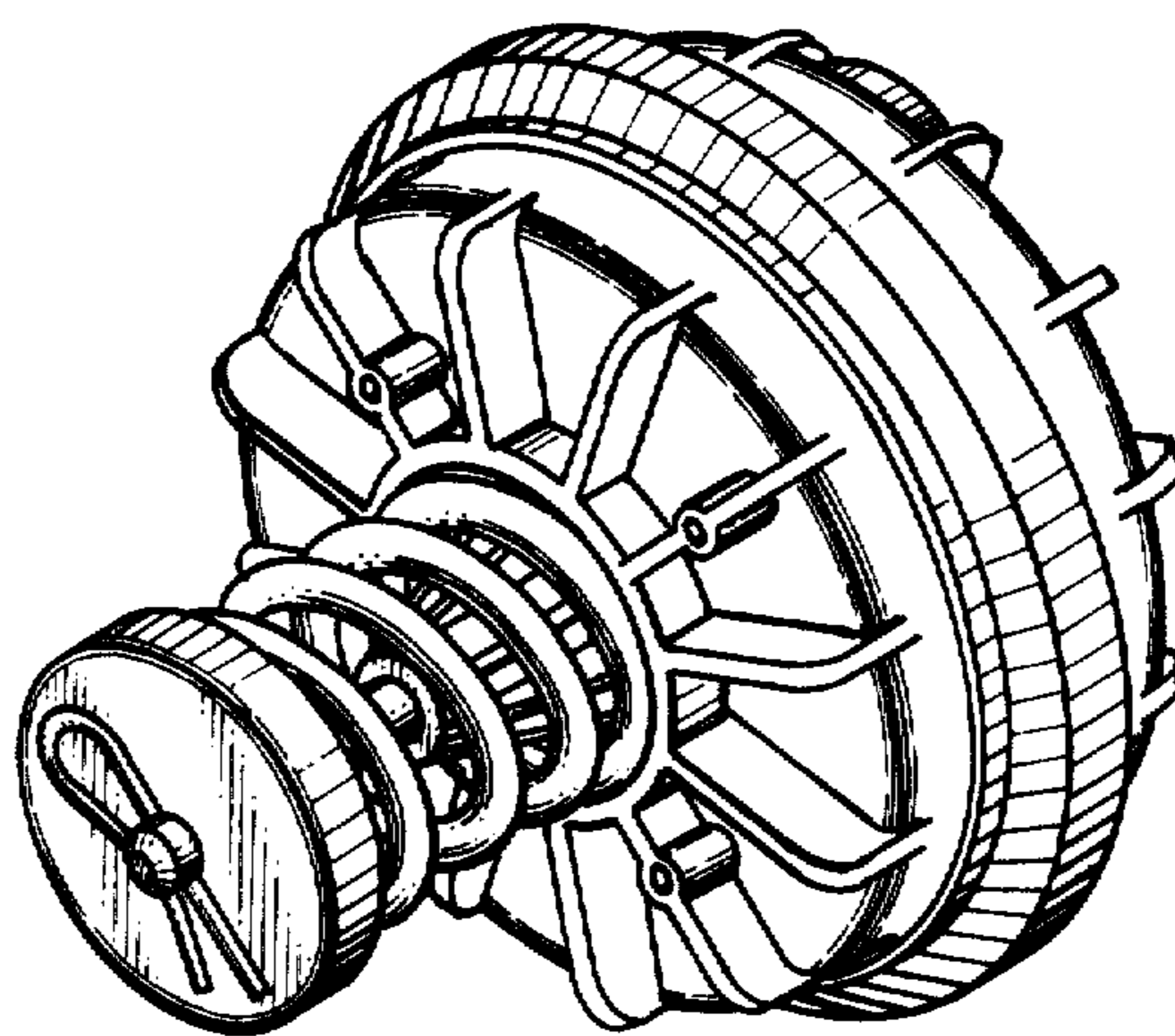


FIG.2

FIG.3

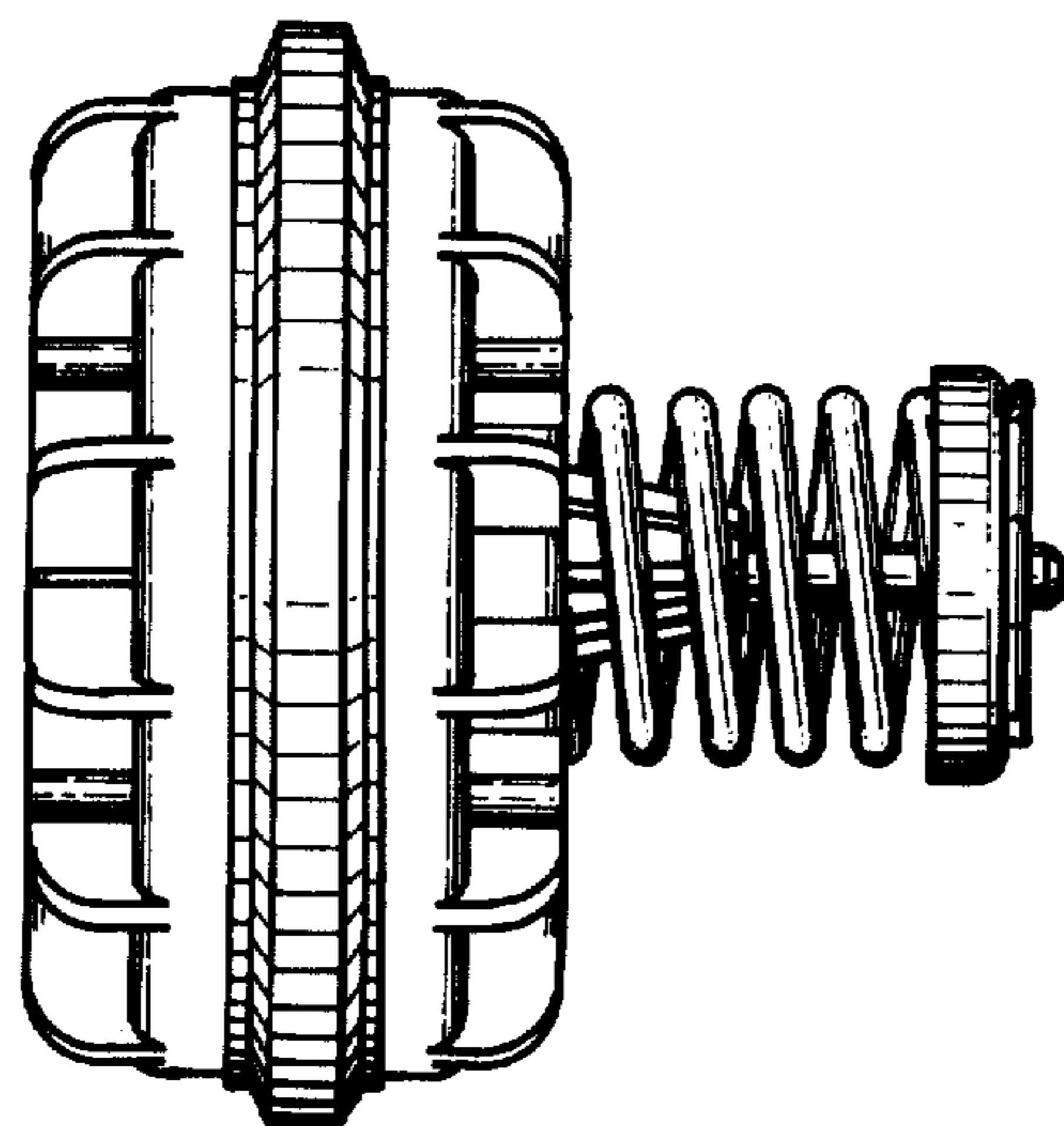
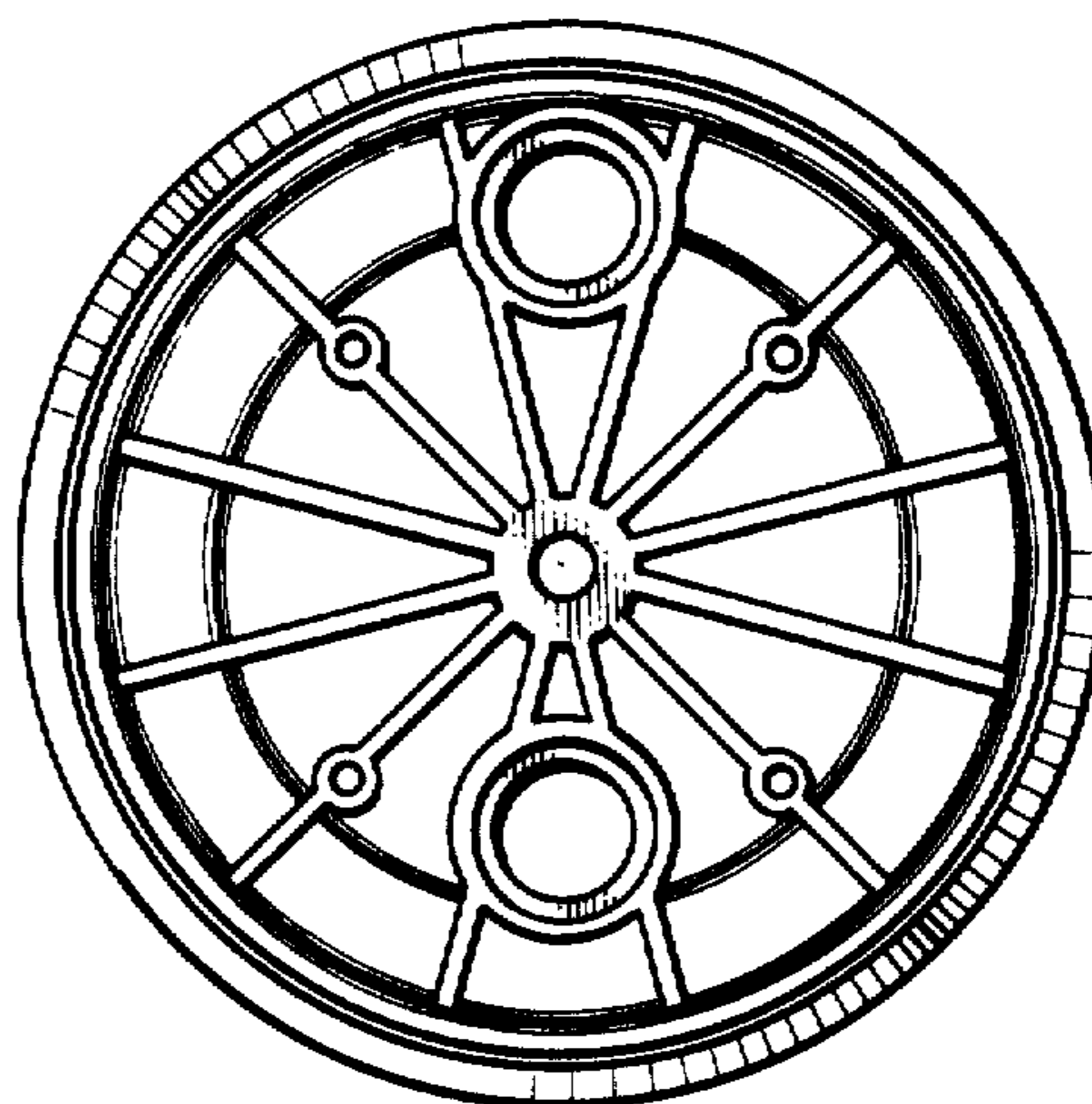


FIG.4

FIG.5

