

- [54] CASSETTE TAPE
- [75] Inventor: Keiichi Yoshizawa, Chiba, Japan
- [73] Assignee: TDK Electronics Co., Ltd., Tokyo, Japan
- [\*\*] Term: 14 Years
- [21] Appl. No.: 40,762
- [22] Filed: May 21, 1979
- [30] Foreign Application Priority Data  
Nov. 21, 1978 [JP] Japan ..... 53-49117
- [51] Int. Cl. .... D14-01
- [52] U.S. Cl. .... D14/11
- [58] Field of Search ..... 206/318, 444; 360/118; 242/197, 198, 199, 200, 192; D14/11
- [56] References Cited  
U.S. PATENT DOCUMENTS  
D. 222,911 2/1972 Weiss ..... D14/11  
D. 246,306 11/1977 Kishi ..... D14/11  
D. 251,907 5/1979 Saito ..... D14/11

4,029,268	6/1977	Schoettle et al. ....	242/198
4,090,224	5/1978	Sato .....	360/118
4,135,316	1/1979	Saito .....	206/387 X
4,163,533	8/1979	Abe .....	242/199

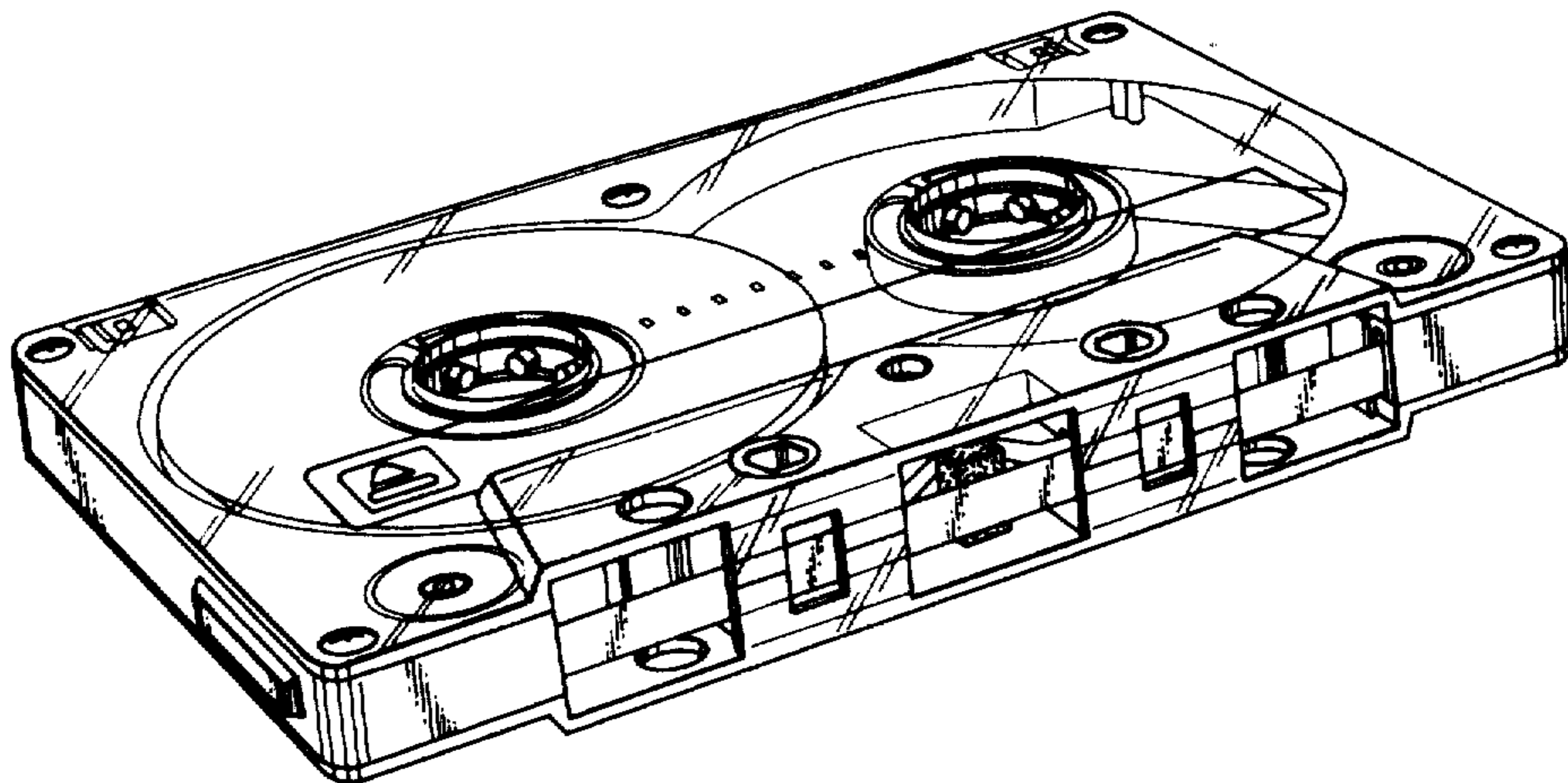
Primary Examiner—Bernard Ansher  
 Attorney, Agent, or Firm—Armstrong, Nikaido,  
 Marmelstein & Kubovcik

[57] CLAIM

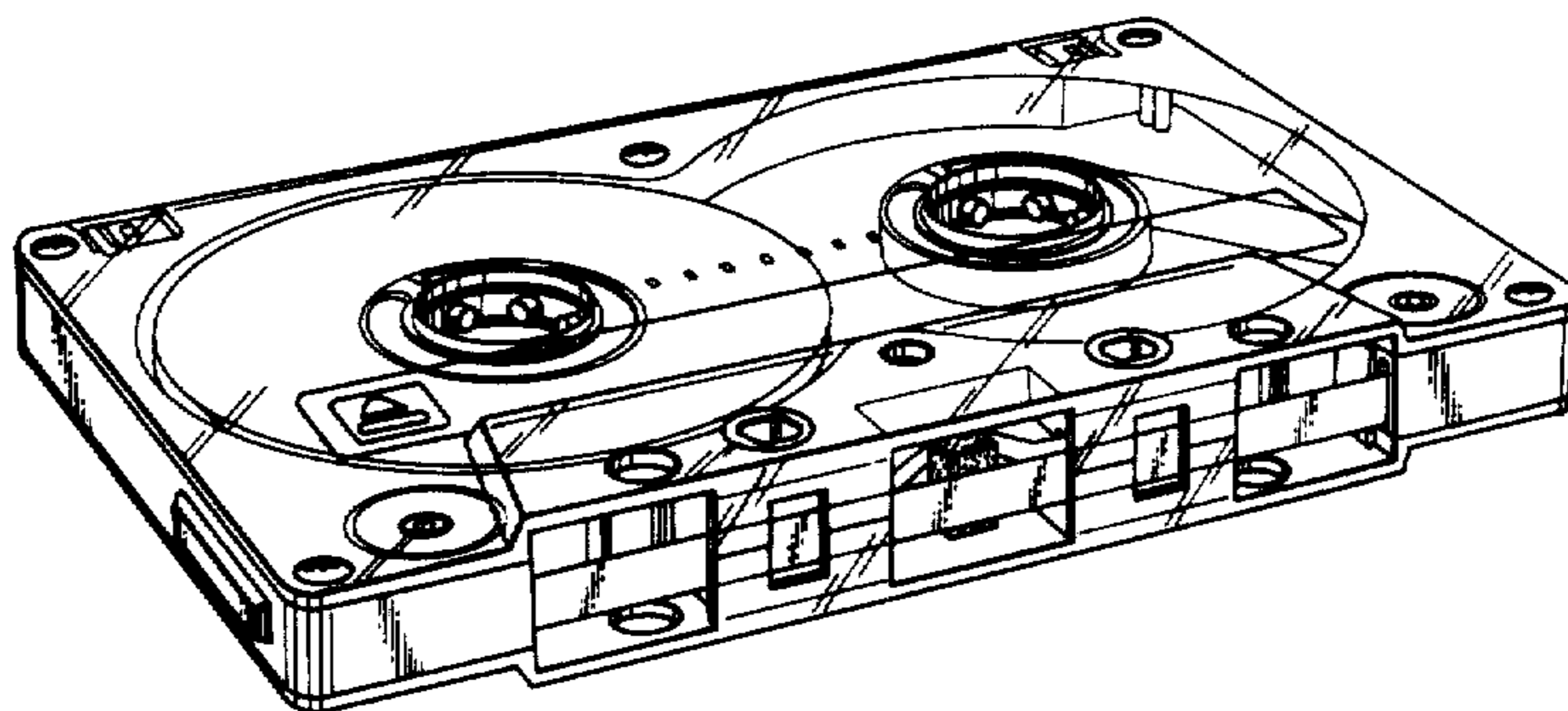
The ornamental design for a cassette tape, substantially as shown.

DESCRIPTION

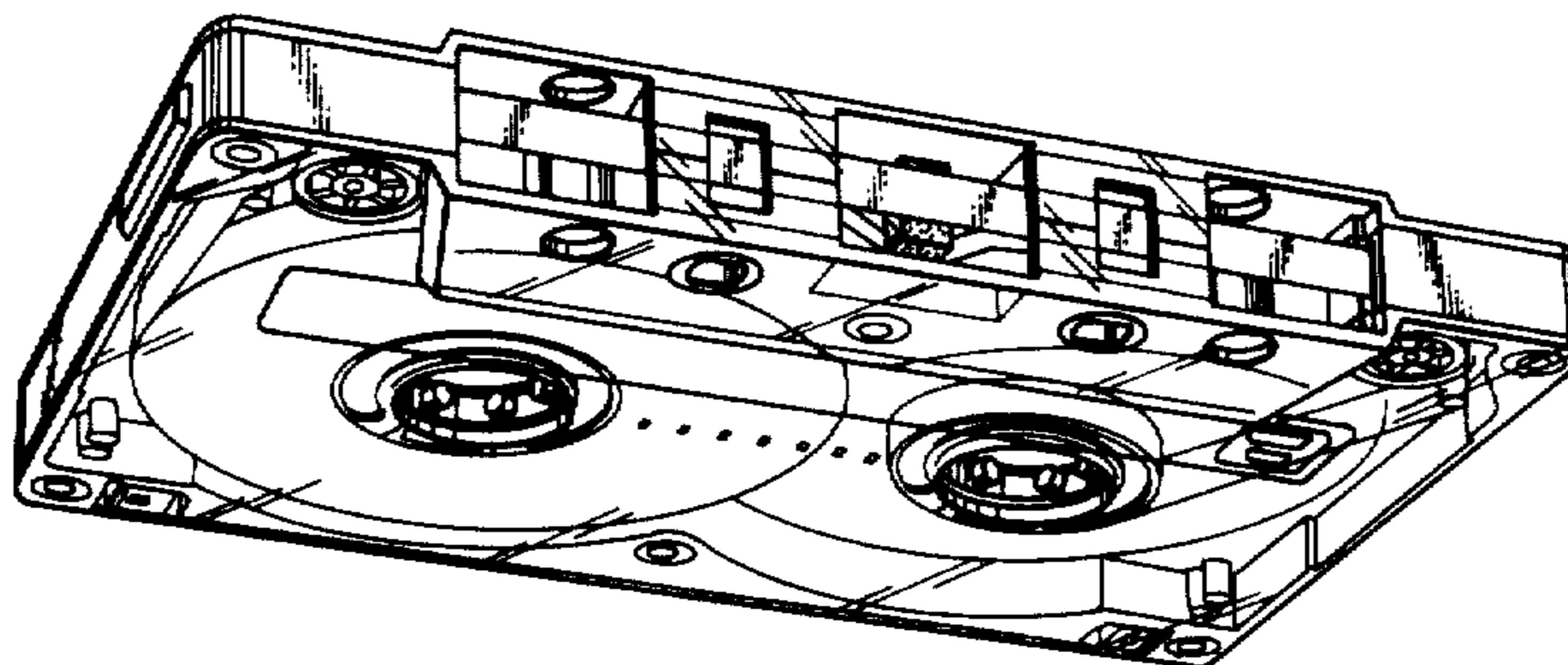
FIG. 1 is a perspective view of a cassette tape showing my design as seen from the top, showing my new design;  
 FIG. 2 is a perspective view thereof as seen from the bottom;  
 FIG. 3 is a front elevational view thereof;  
 FIG. 4 is a rear elevational view thereof;  
 FIG. 5 is a top plan view thereof;  
 FIG. 6 is a bottom plan view thereof; and  
 FIG. 7 is a left end elevational view, which view is symmetrical to a right end elevational view thereof.



*Fig. 1*



*Fig. 2*



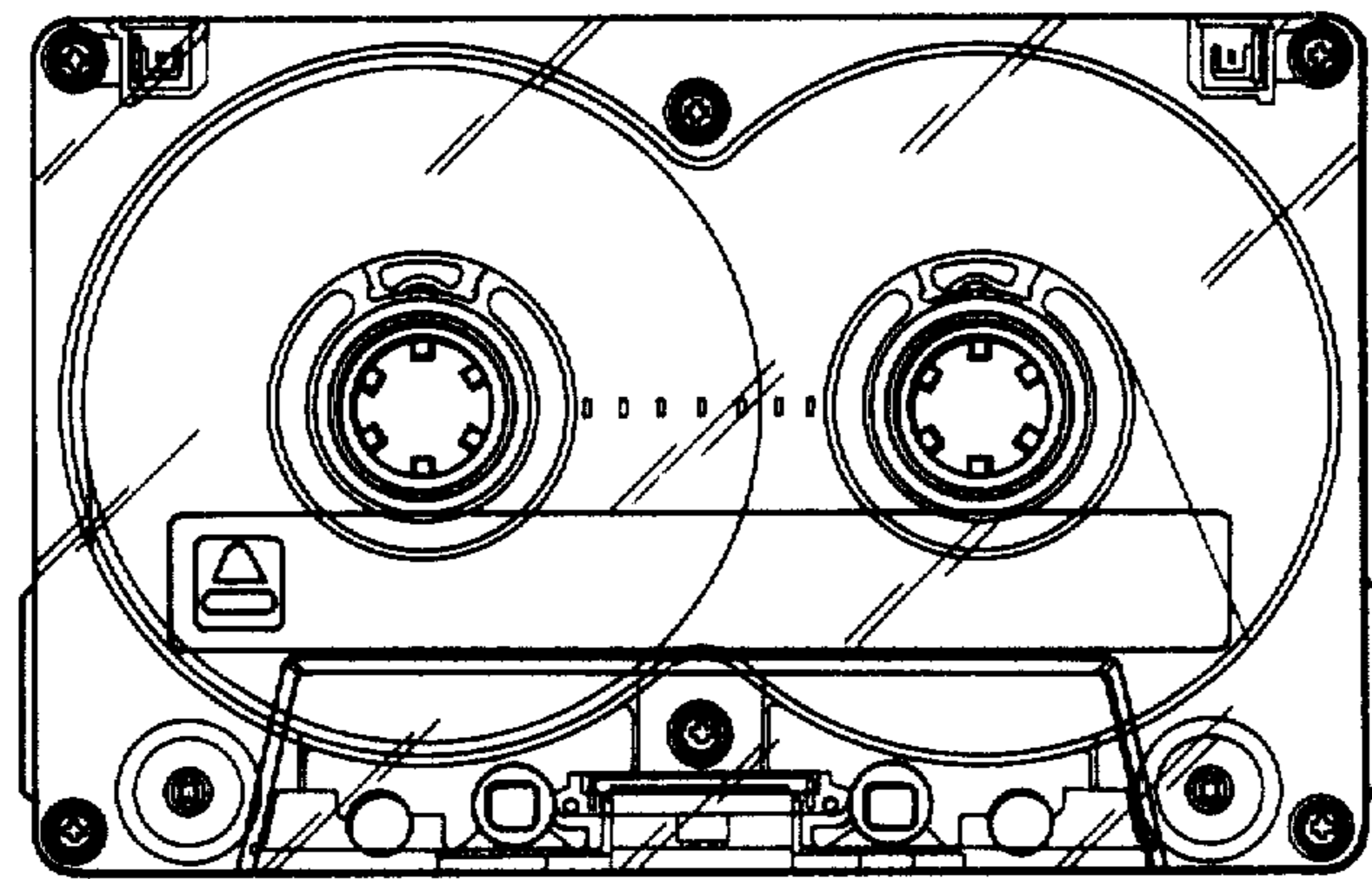
*Fig. 3*



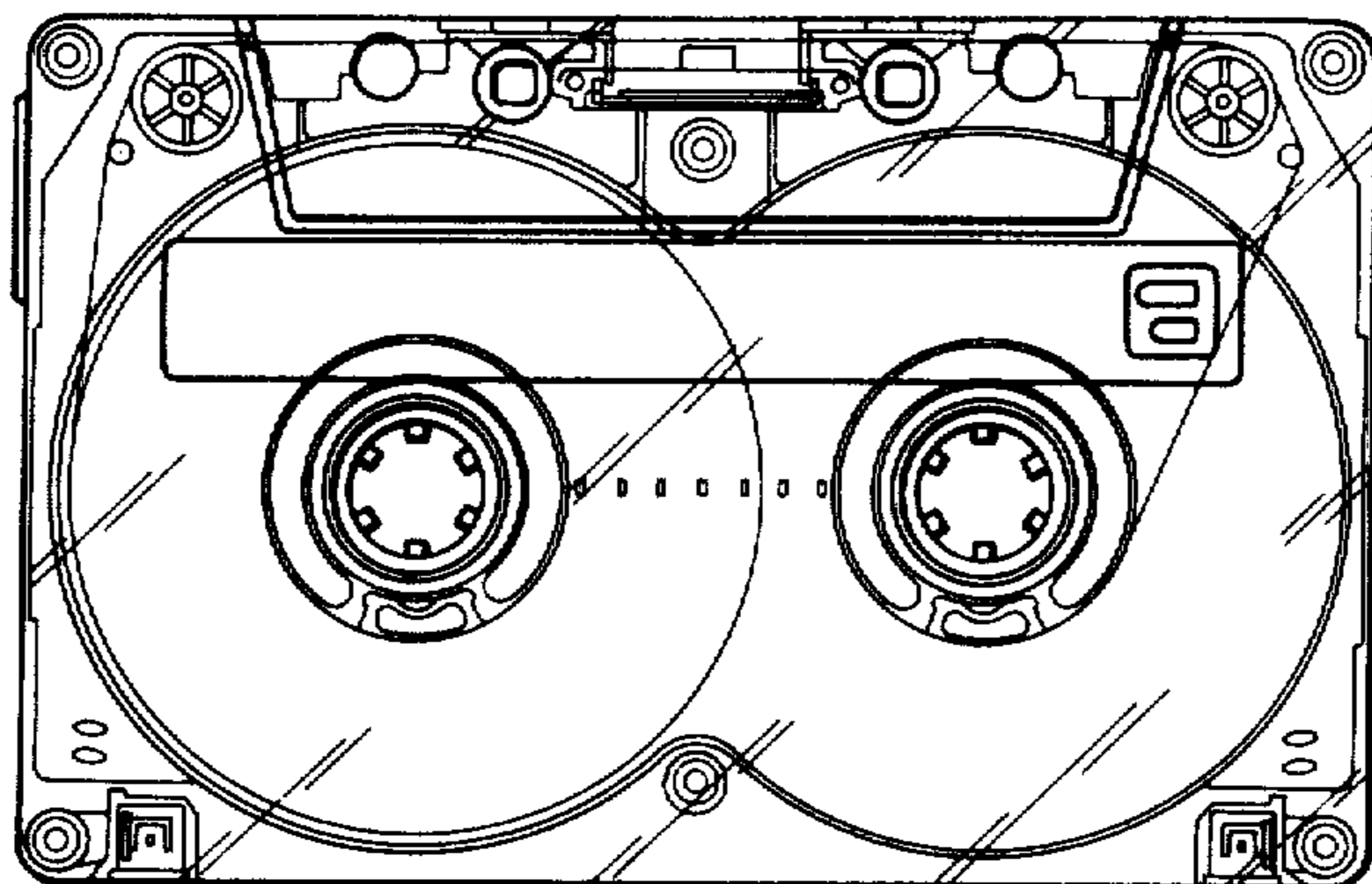
*Fig. 4*



*Fig. 5*



*Fig. 6*



*Fig. 7*

