

- [54] **PEDAL FOR BICYCLES**
- [75] **Inventor: Shinpei Okajima, Sakai, Japan**
- [73] **Assignee: Shimano Industrial Company, Limited, Osaka, Japan**
- [**] **Term: 14 Years**
- [21] **Appl. No.: 968,407**
- [22] **Filed: Dec. 11, 1978**
- [30] **Foreign Application Priority Data**
Jun. 17, 1978 [JP] Japan 53/25318
- [51] **Int. Cl. D12-11**
[52] **U.S. Cl. D12/125**
[58] **Field of Search D12/125; 74/594.6**

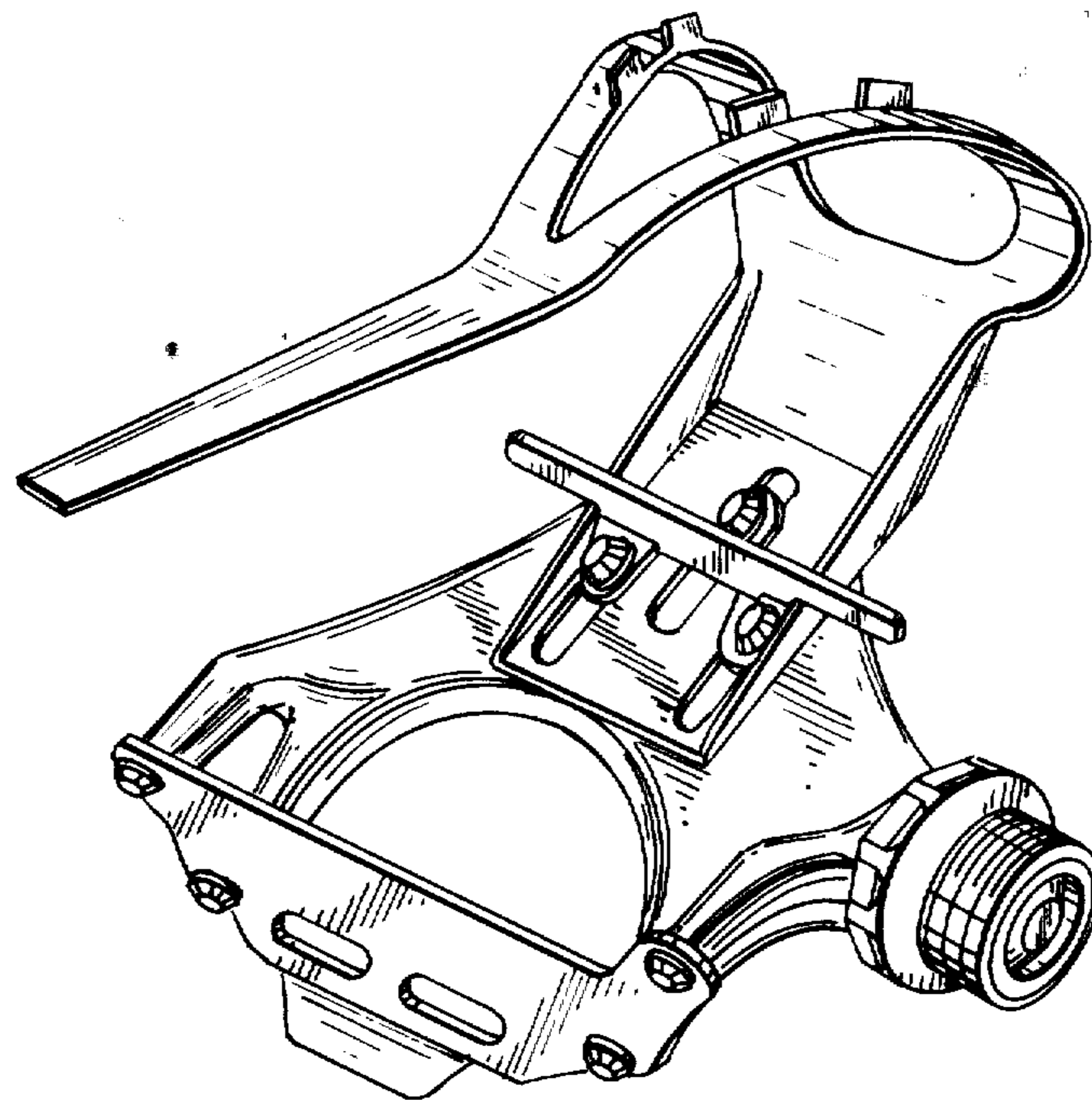
- [56] **References Cited**
- U.S. PATENT DOCUMENTS**
4,172,392 10/1979 Foster 74/594.6
- FOREIGN PATENT DOCUMENTS**
555054 3/1957 Belgium 74/594.6

Primary Examiner—James M. Gandy
Attorney, Agent, or Firm—Stevens, Davis, Miller & Mosher

[57] **CLAIM**
The ornamental design for a pedal for bicycles, as shown.

DESCRIPTION

FIG. 1 is a top, left, rear perspective view of a pedal for bicycles showing my new design;
FIG. 2 is a top, right, front perspective view thereof;
FIG. 3 is a bottom, right, front perspective view thereof;
FIG. 4 is a right side elevational view thereof; and
FIG. 5 is a front elevational view thereof.



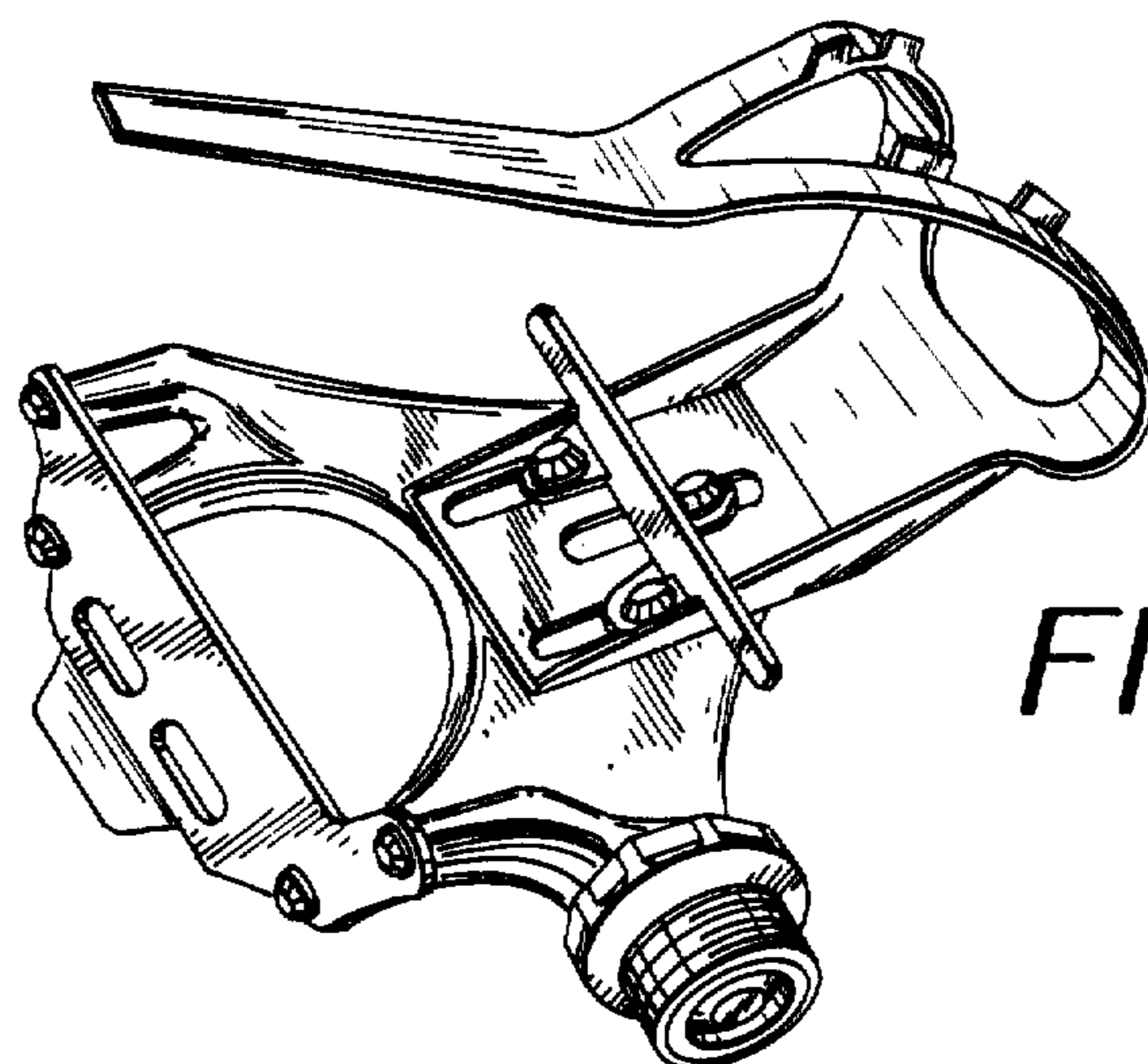


FIG. 1

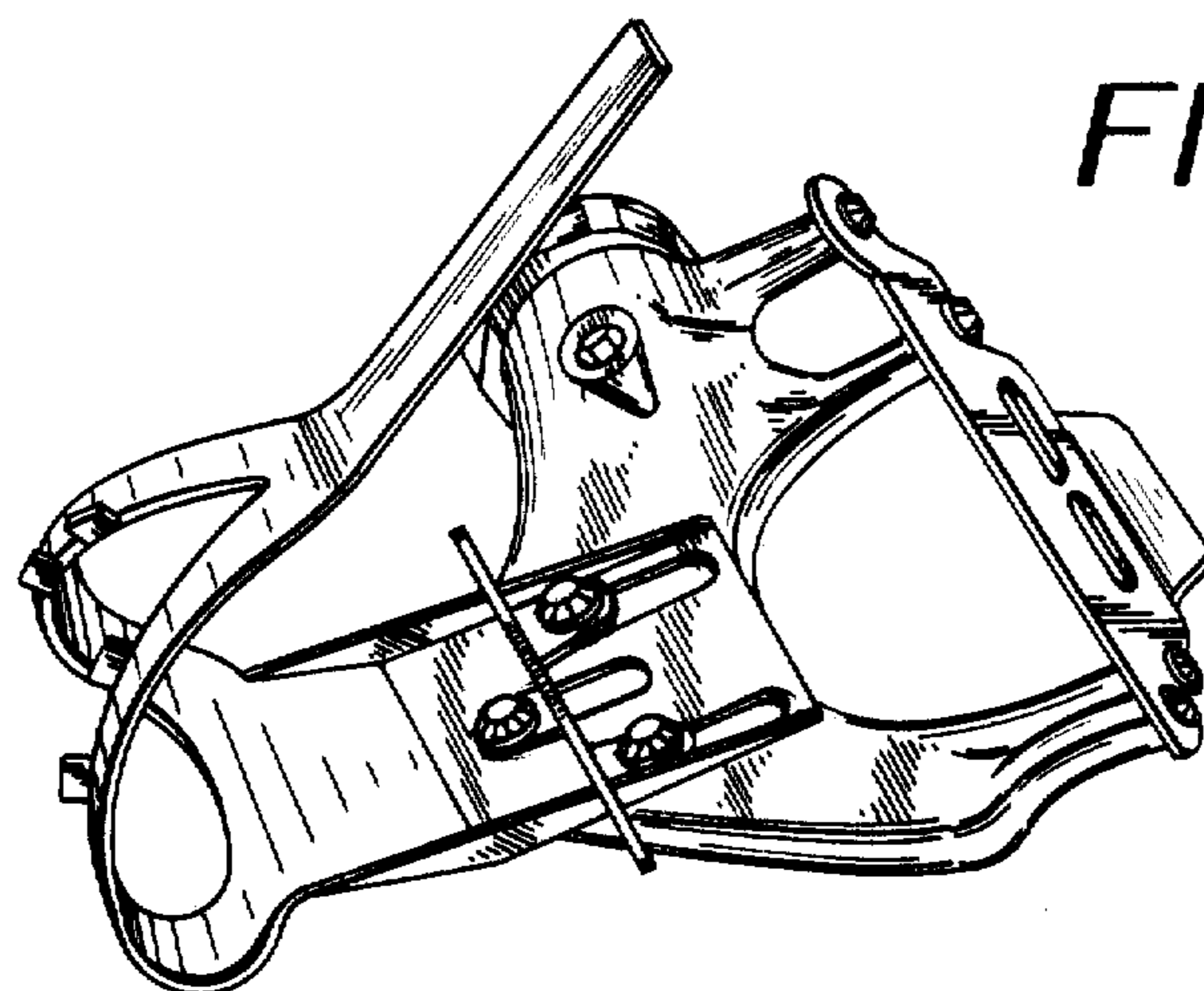


FIG. 2

FIG. 3

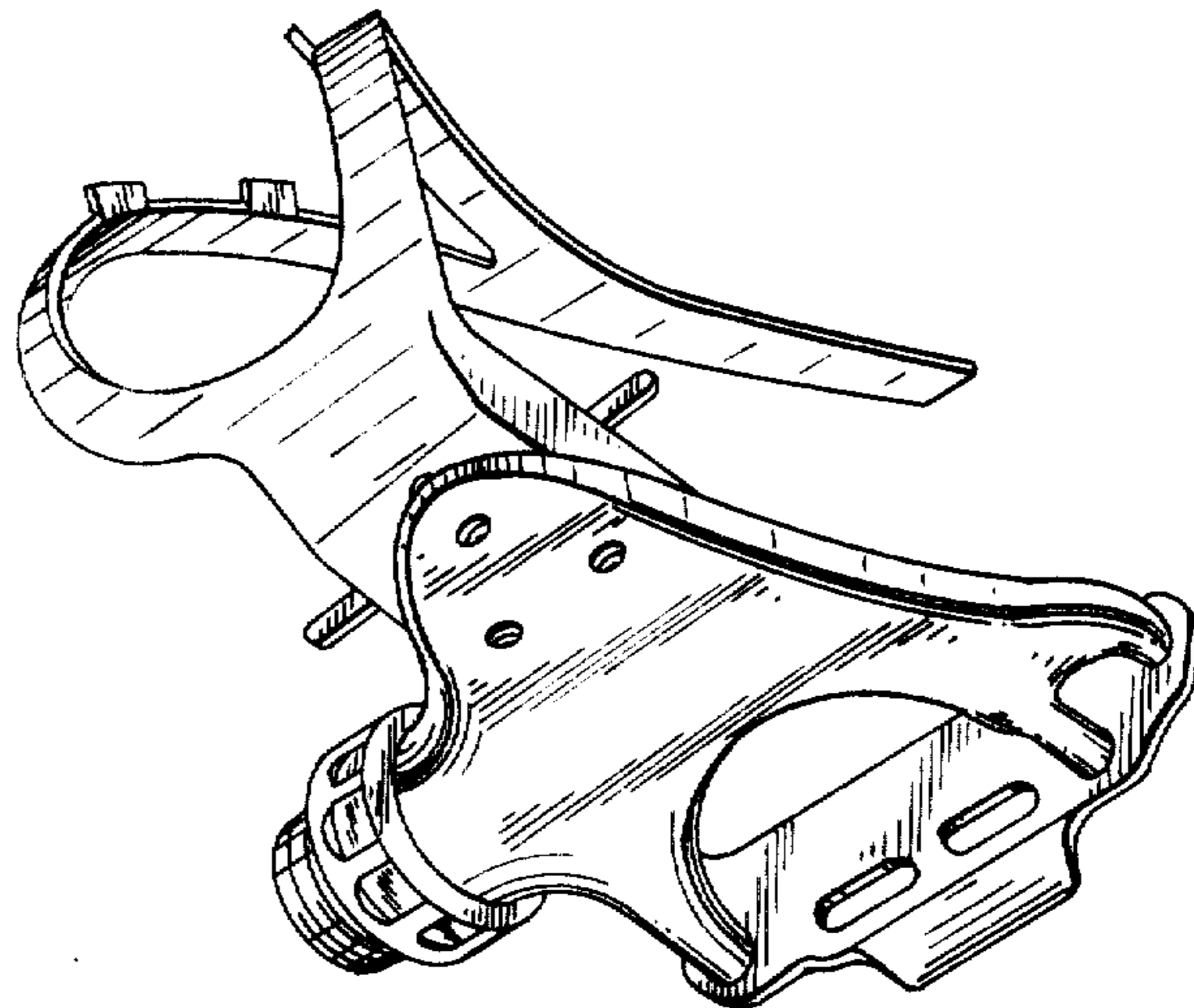


FIG. 4

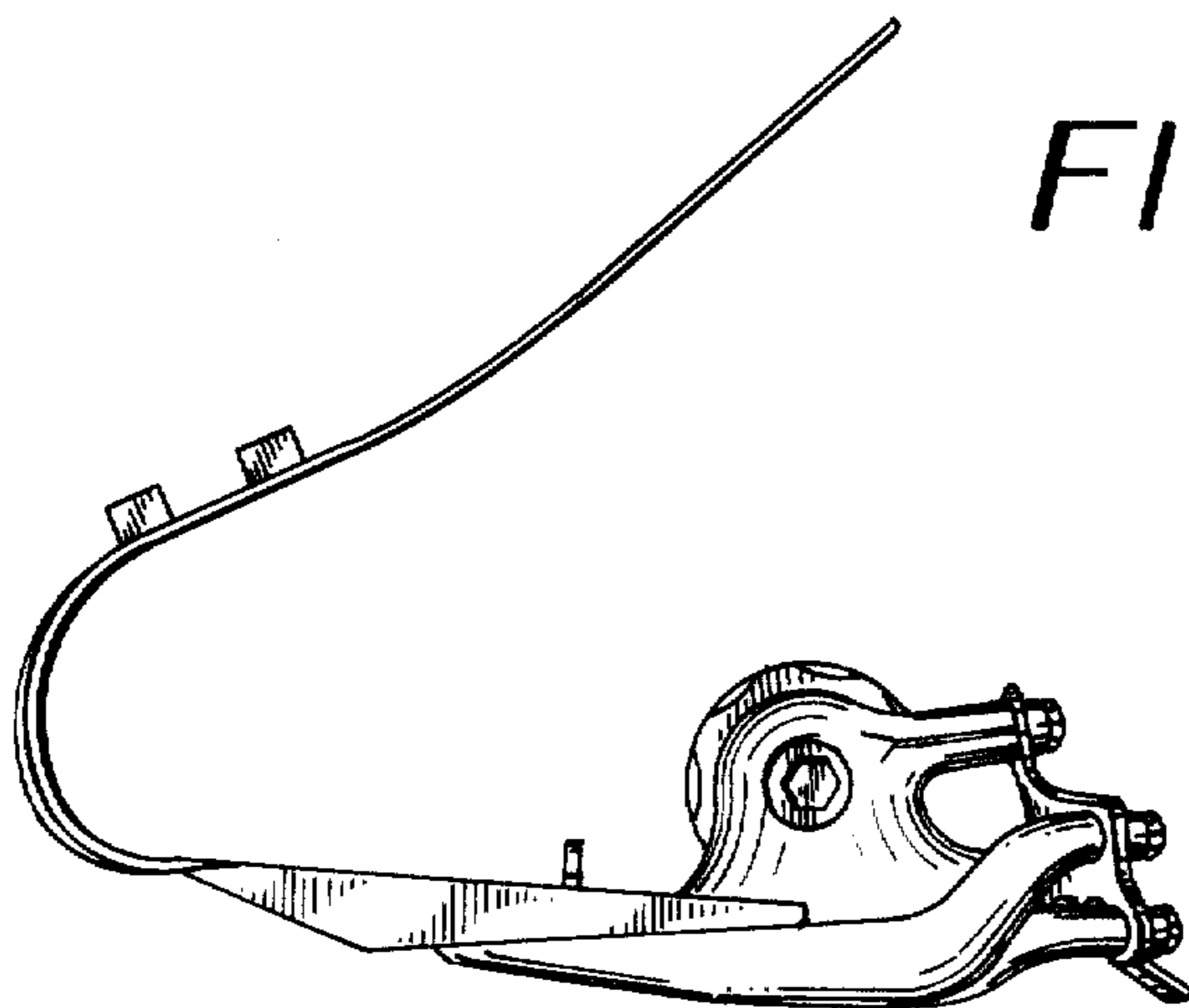


FIG. 5

