

[54] GLUE GUN HOLDER

[76] Inventor: Charlotte E. Lytle, 70 Oakleigh Dr.,
Maitland, Fla. 32751

[**] Term: 14 Years

[21] Appl. No.: 108,148

[22] Filed: Dec. 28, 1979

[51] Int. Cl. D8-05

[52] U.S. Cl. D8/71

[58] Field of Search D8/71, 14.1, 354, 30;
248/13, 174; D15/140

[56] References Cited

U.S. PATENT DOCUMENTS

- D. 196,643 10/1963 Greene D8/71
- D. 246,572 12/1977 Walter D8/71 X

OTHER PUBLICATIONS

Better Homes & Garden, Nov. 1971, p. 40, Glue Gun &
Holder at center of page.

Primary Examiner—A. Hugo Word
Attorney, Agent, or Firm—Duckworth, Allen, Dyer &
Pettis

[57] CLAIM

The ornamental design for a glue gun holder, as shown
and described.

DESCRIPTION

FIG. 1 is a perspective view of the glue gun holder
showing my new design;
FIG. 2 is an elevation view of one side thereof with the
opposite side view being the same except reversed;
FIG. 3 is an elevation view of the front thereof;
FIG. 4 is an elevation view of the rear thereof; and
FIG. 5 is a top plan view thereof.

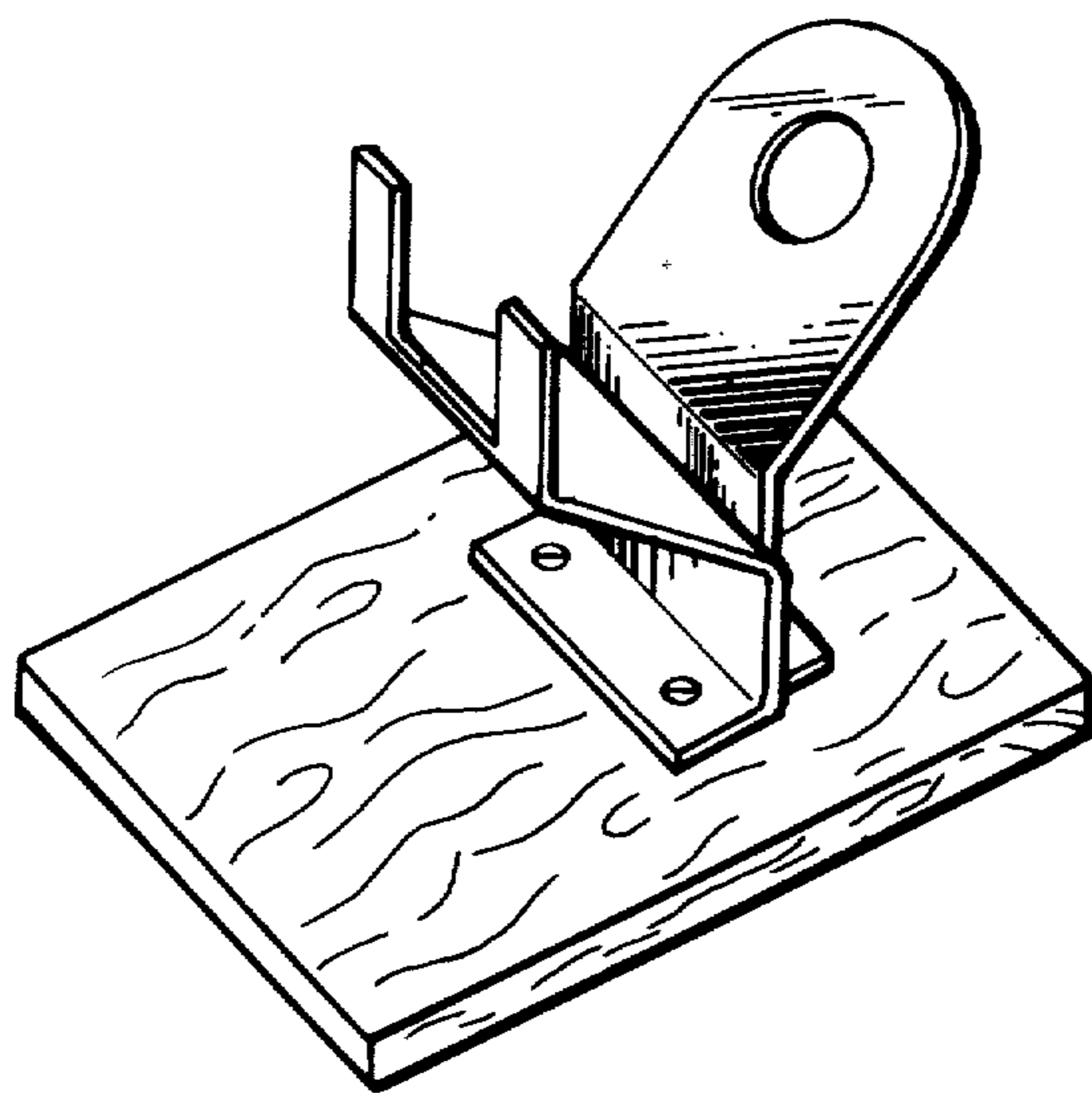


FIG. 1

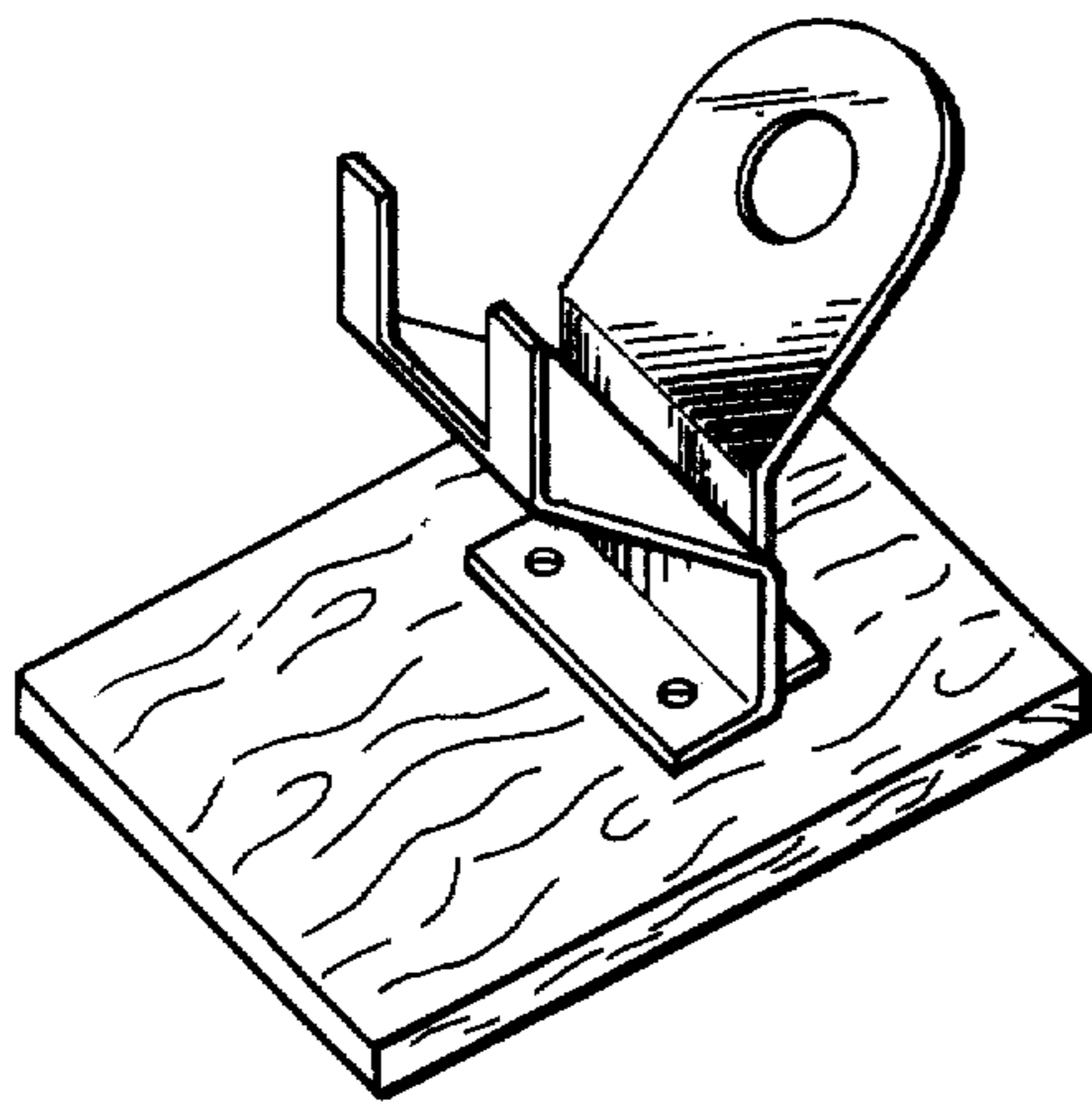


FIG. 2

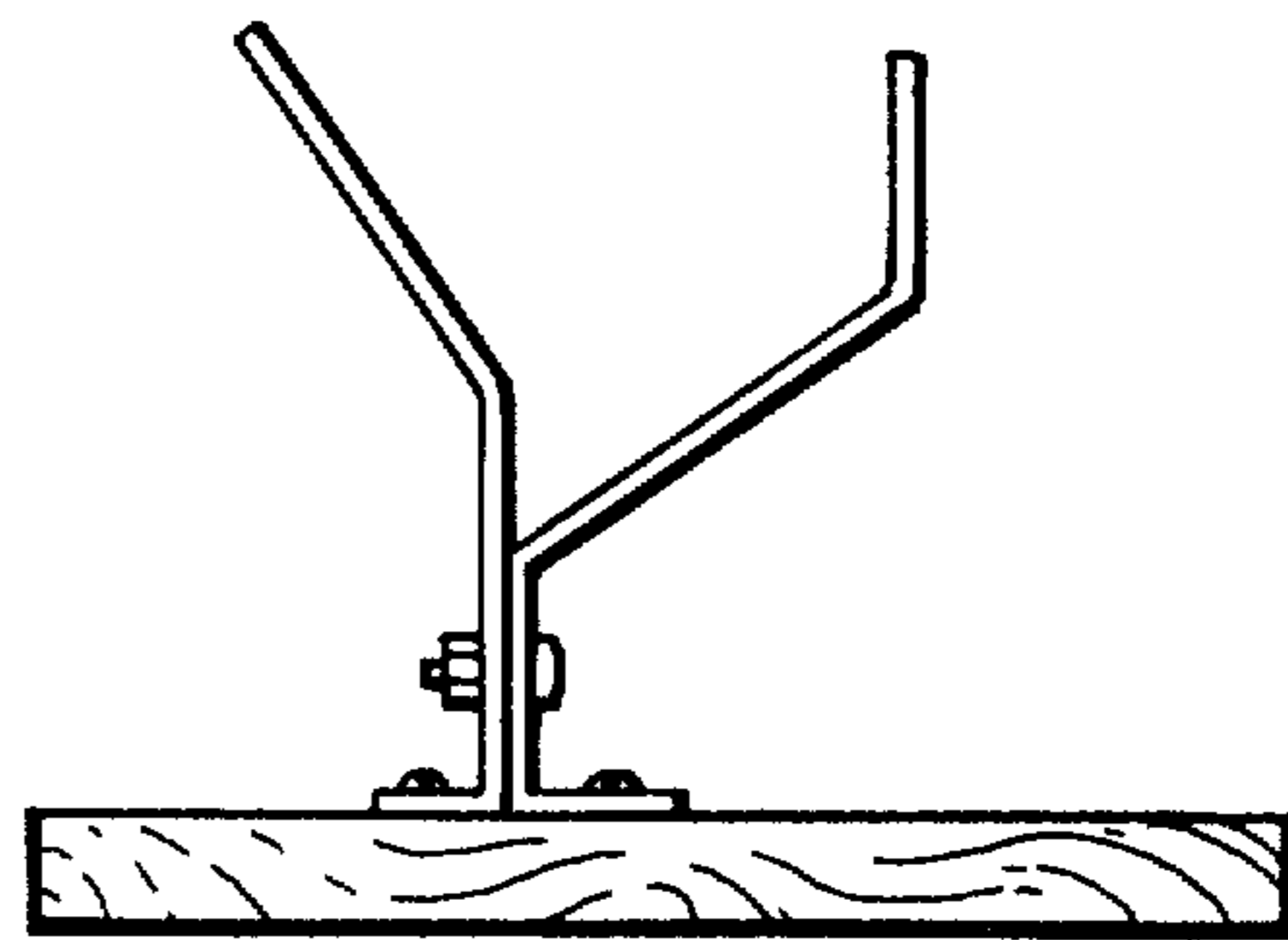


FIG. 3

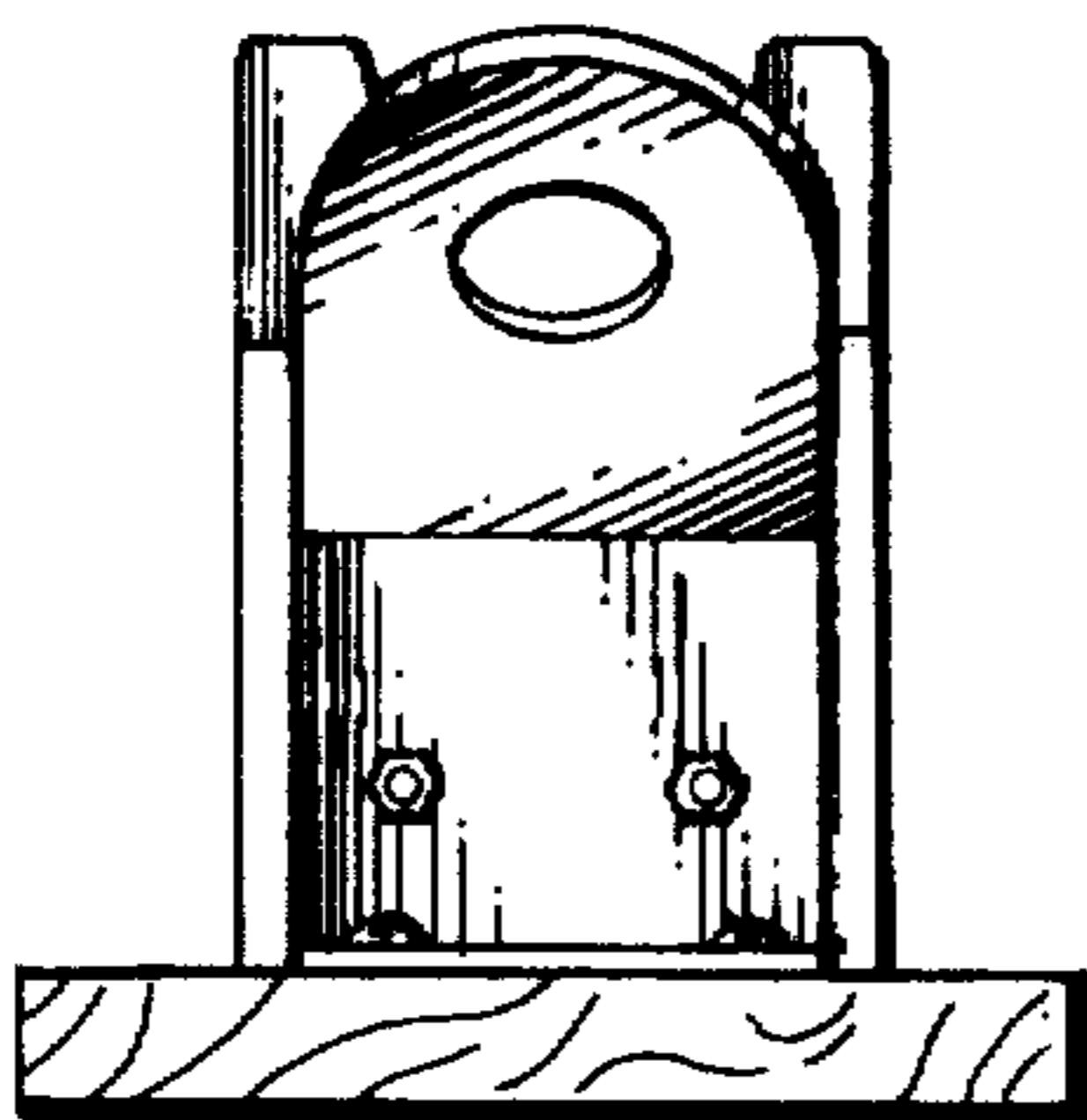


FIG. 4

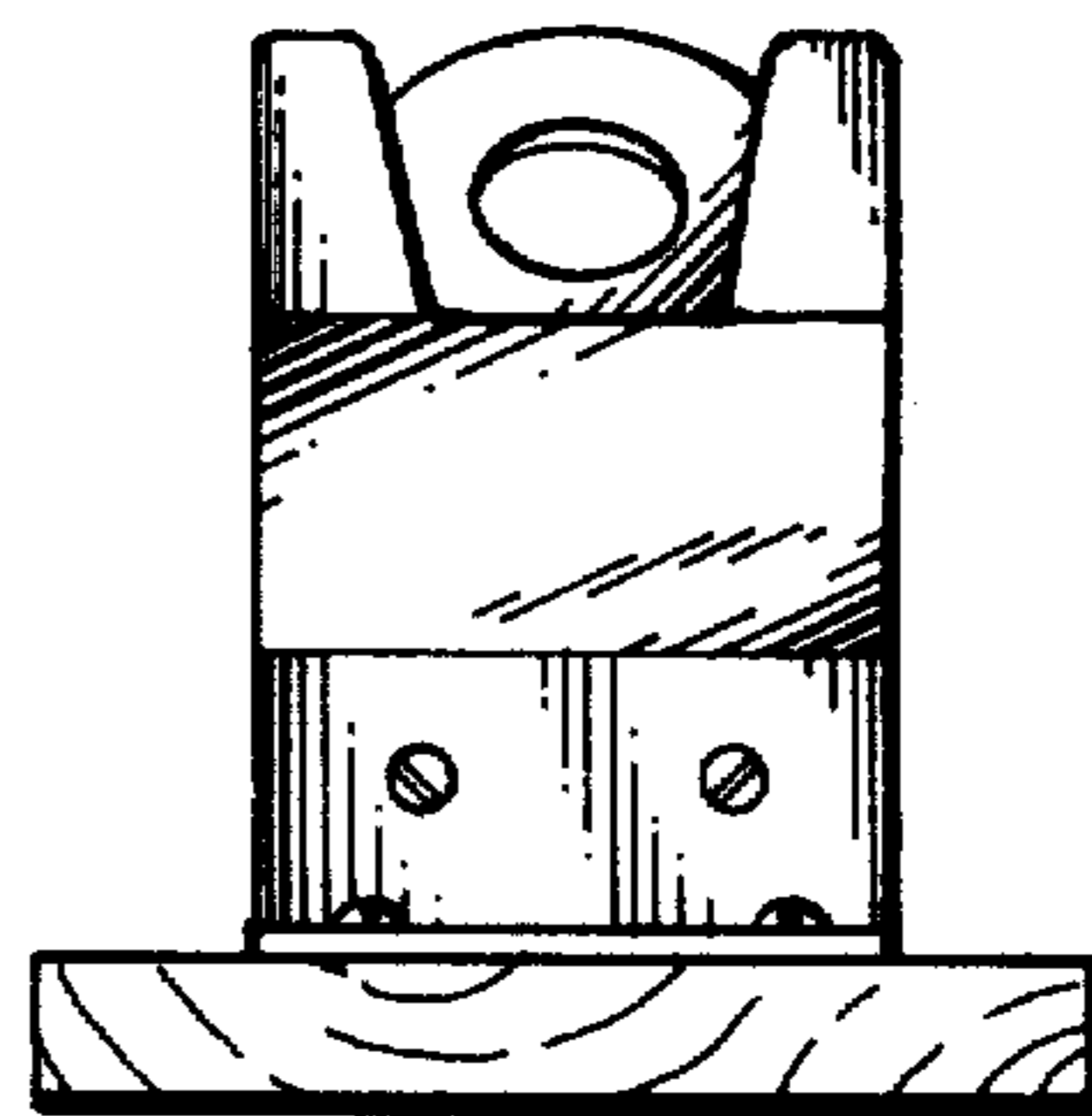


FIG. 5

