

[54] DOMESTIC APPLIANCE FOR GRATING, SLIVERING AND SLICING

[75] Inventor: Bernard Loiseau, Dijon, France

[73] Assignee: SEB, Selongey, France

[**] Term: 14 Years

[21] Appl. No.: 61,041

[22] Filed: Jul. 26, 1979

[30] Foreign Application Priority Data

Feb. 6, 1979 [FR] France 79 156

[51] Int. Cl. D07-04

[52] U.S. Cl. D7/153; D7/47; D15/97

[58] Field of Search D7/155, 153, 47, 41; D15/92, 95, 96, 97; 241/101.2, 101.1

[56] References Cited

U.S. PATENT DOCUMENTS

D. 230,630 3/1974 McCue D15/97
3,853,048 12/1974 Collins D7/153 X

OTHER PUBLICATIONS

Supplement to HFD, Retailing Home Furnishings, Jan. 16, 1978, Sec. II, G.E. Adv., Food Slicer (SL-10) top r.

Woodward & Lothrop Noel 1978 Cat., p. 88, Item H, Krups Slice-All, bottom left.

Primary Examiner—Winifred E. Herrmann
Attorney, Agent, or Firm—Young & Thompson

[57] CLAIM

The ornamental design for a domestic appliance for grating, slivering and slicing, substantially as shown.

DESCRIPTION

FIG. 1 is a top front perspective view of a domestic appliance for grating, slivering, and slicing showing the grating and slivering portion of my new design; FIG. 2 is a top rear perspective view thereof; FIG. 3 is a left side perspective view thereof; FIG. 4 is a right side perspective view thereof; FIG. 5 is a top perspective view thereof; FIG. 6 is a bottom perspective view thereof; FIG. 7 is a perspective view of the top, front, and right side thereof; FIG. 8 is a perspective view of the bottom, front and left side thereof; FIG. 9 is a perspective view similar to FIG. 8, the thumb piece being partially withdrawn from the casing; FIG. 10 is a front perspective view thereof in an open condition for slicing; FIG. 11 is a right side perspective view of FIG. 10; FIG. 12 is a left side perspective view of FIG. 10; and FIG. 13 is a perspective view of the top, front, and left side of FIG. 10.

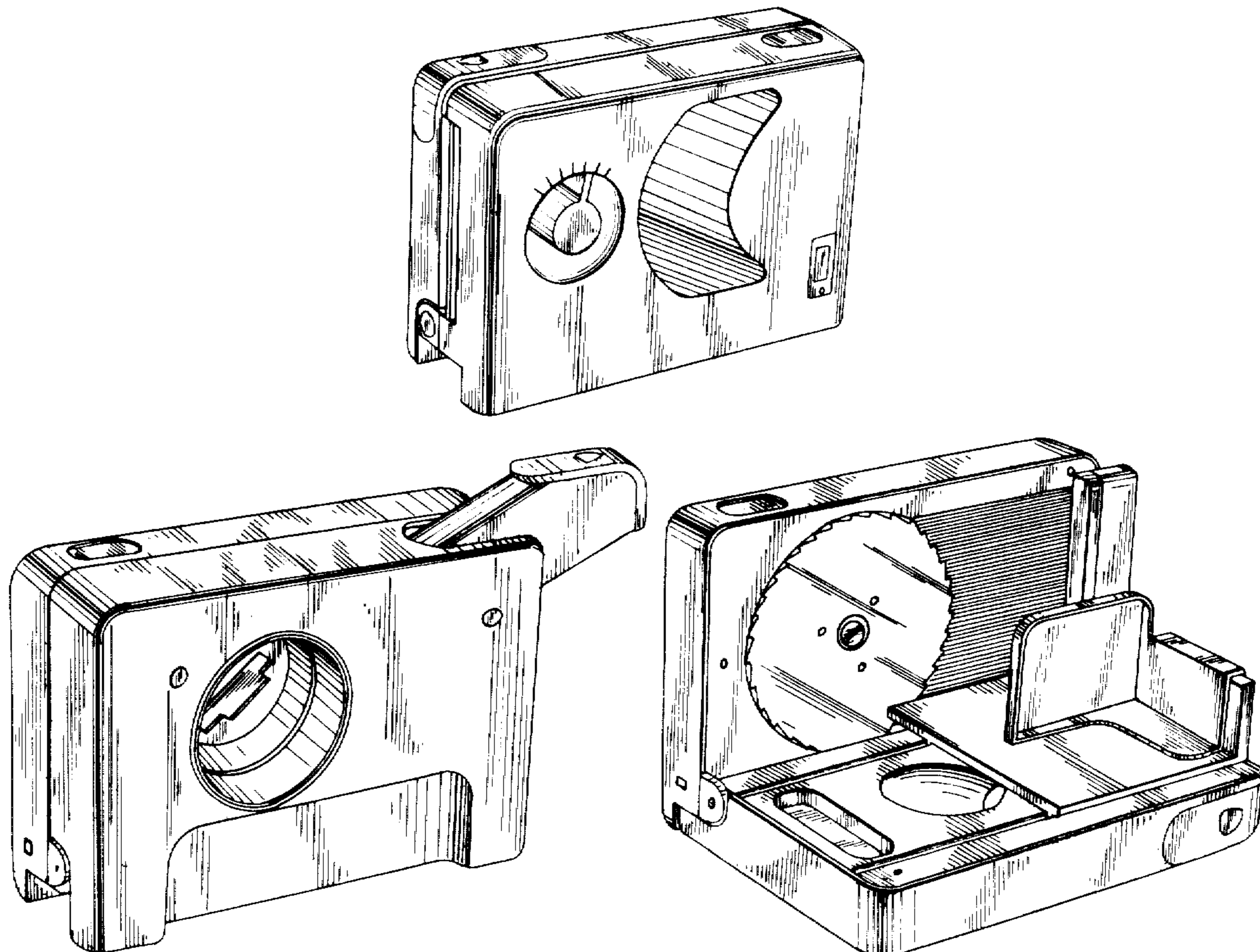


Fig. 1

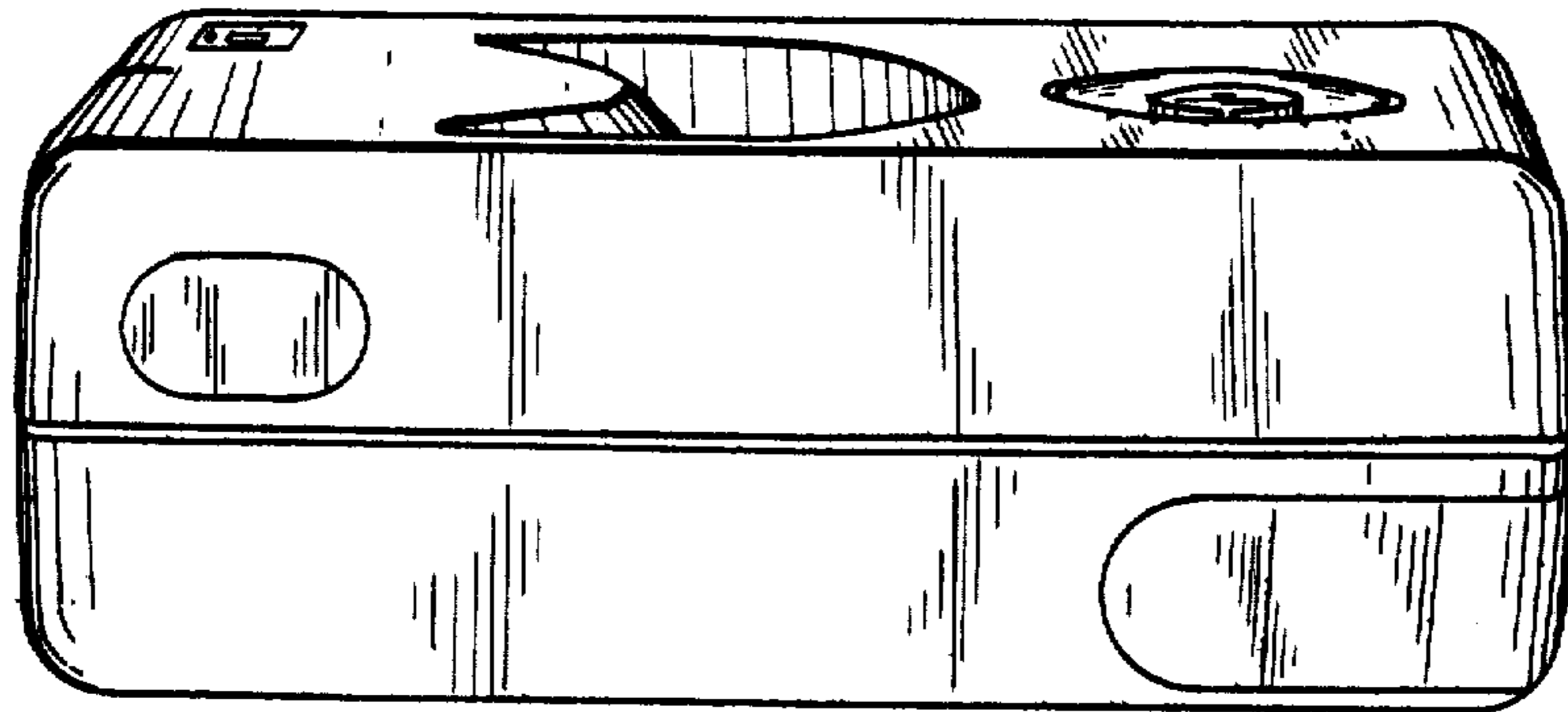


Fig. 2

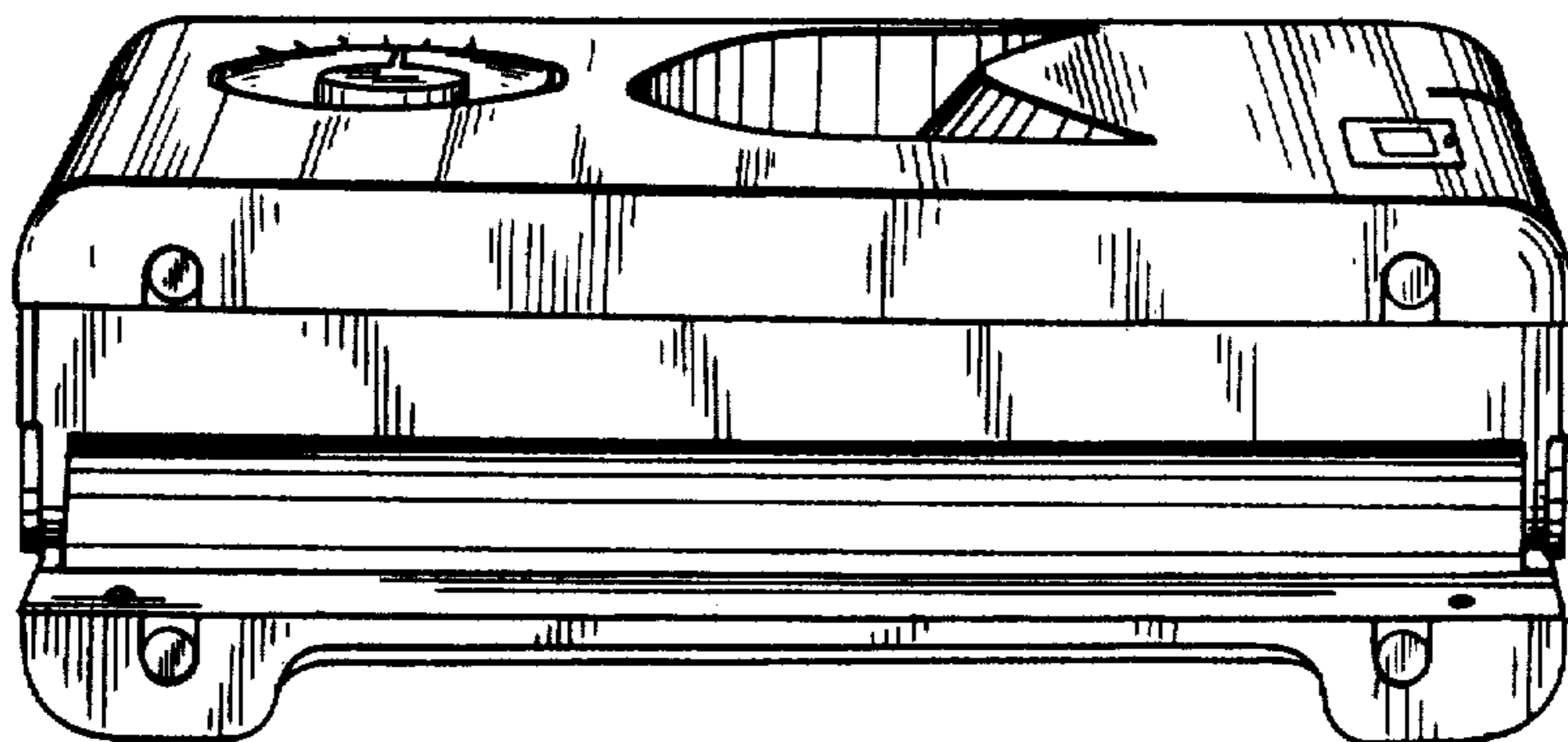


Fig. 3

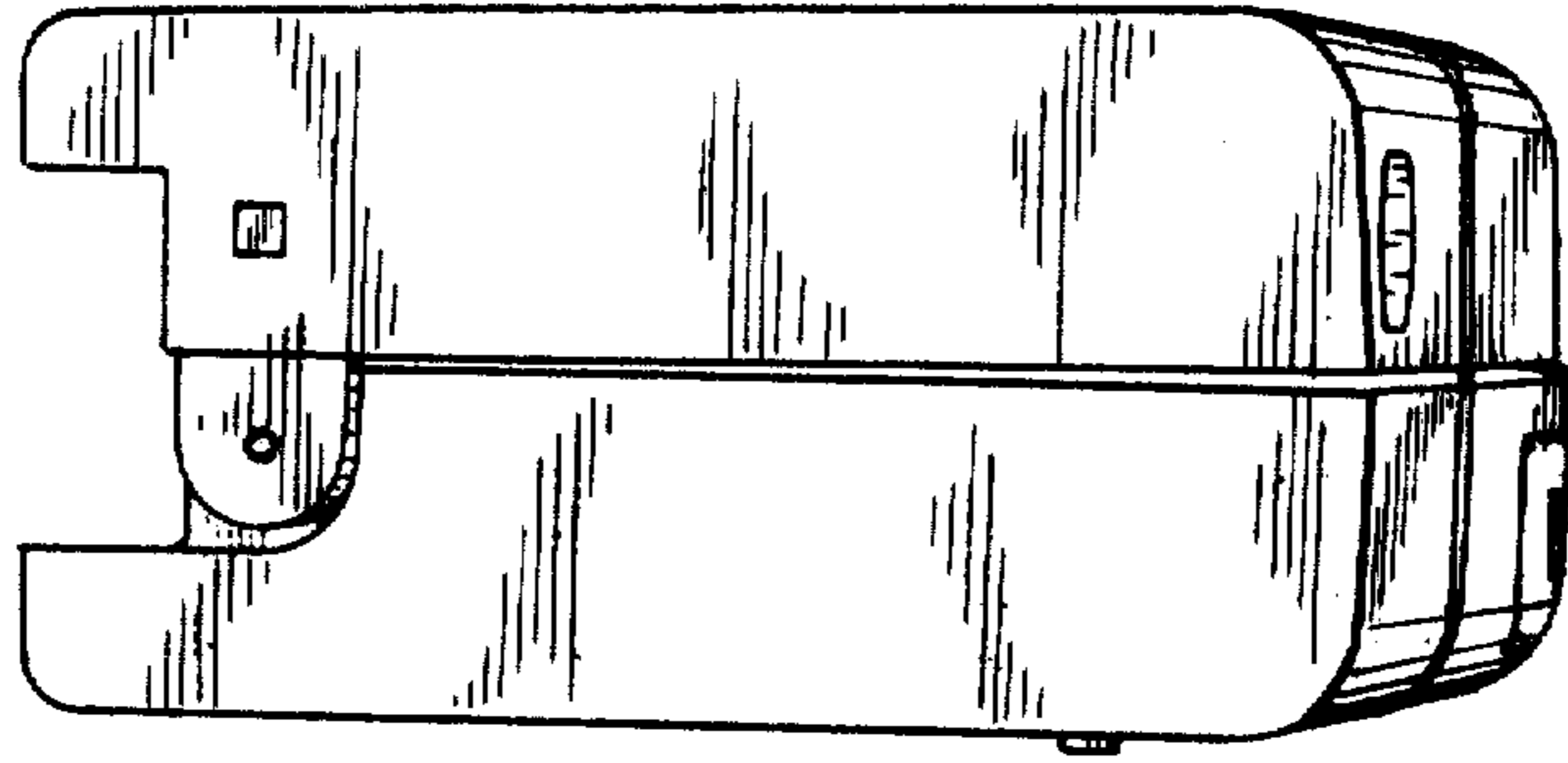


Fig. 4

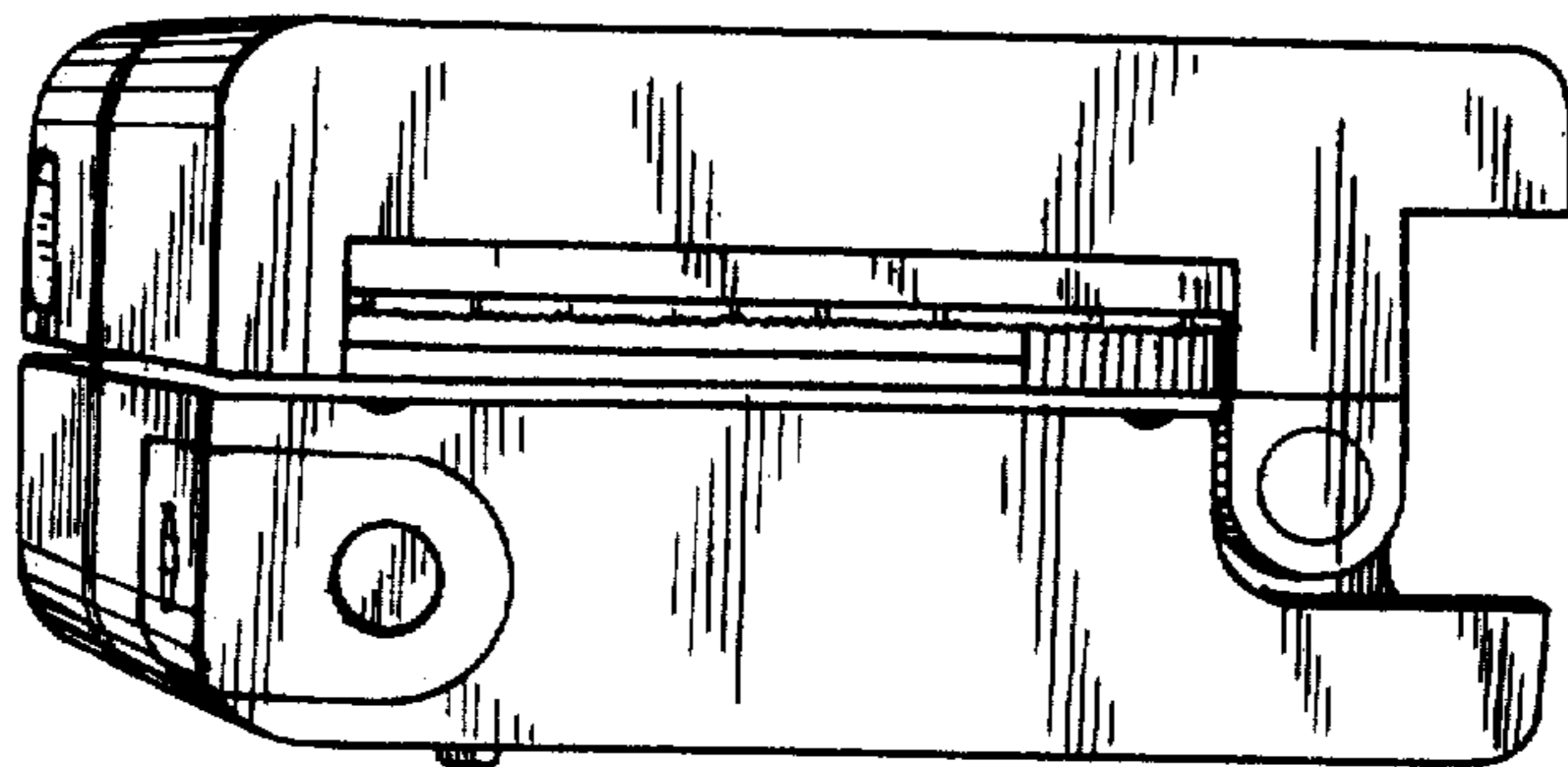


Fig. 5

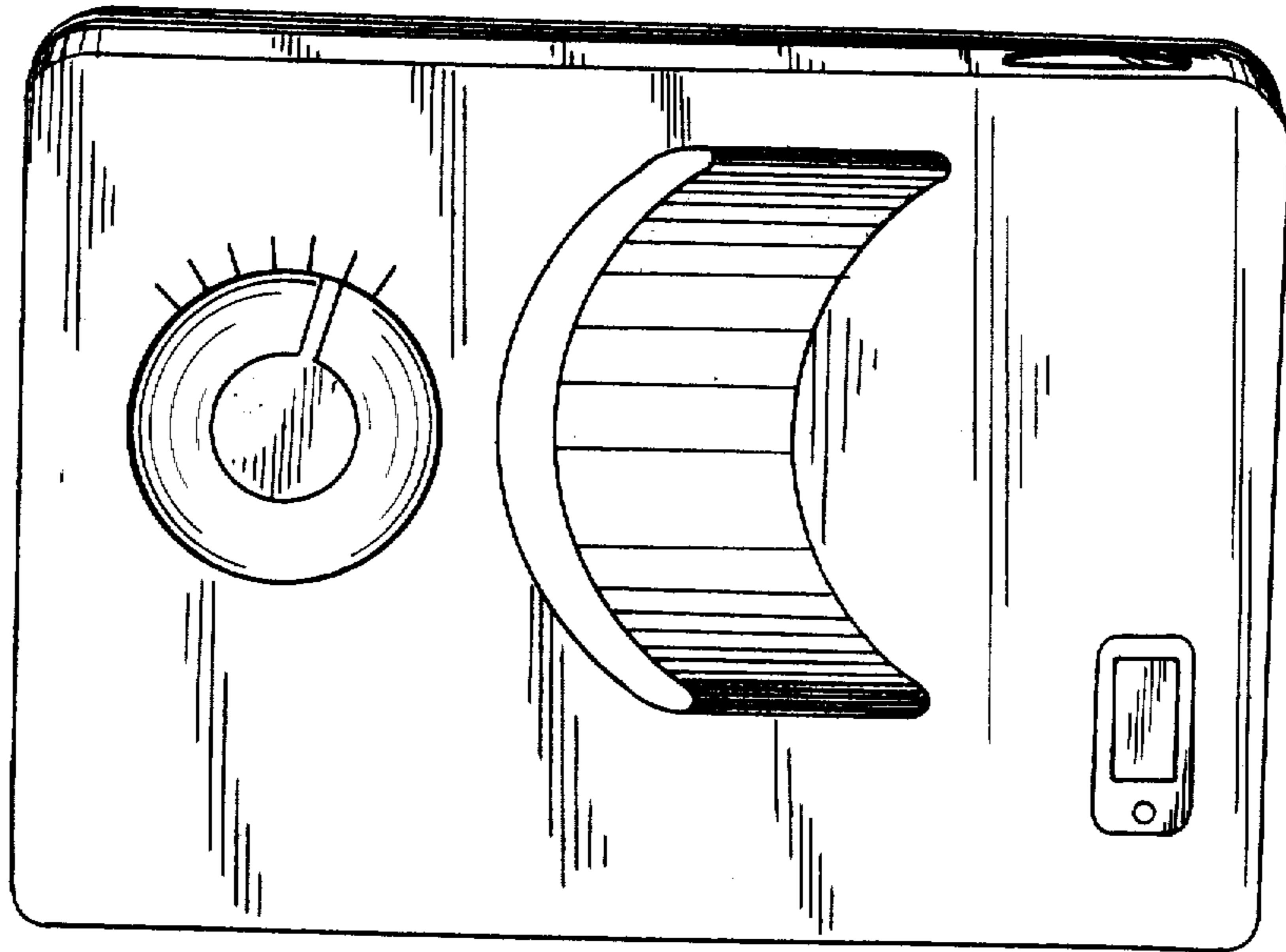


Fig. 6

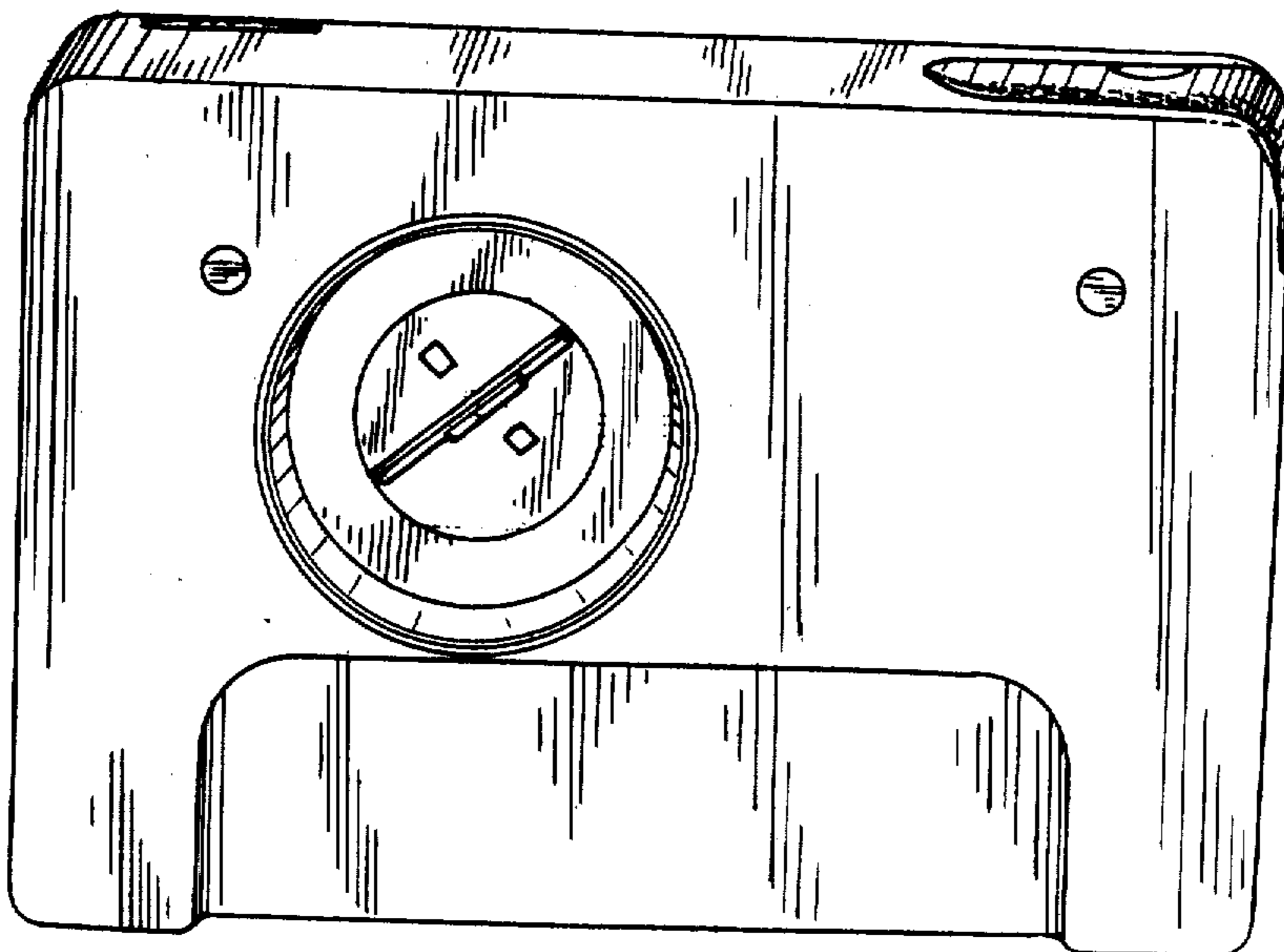


Fig. 7

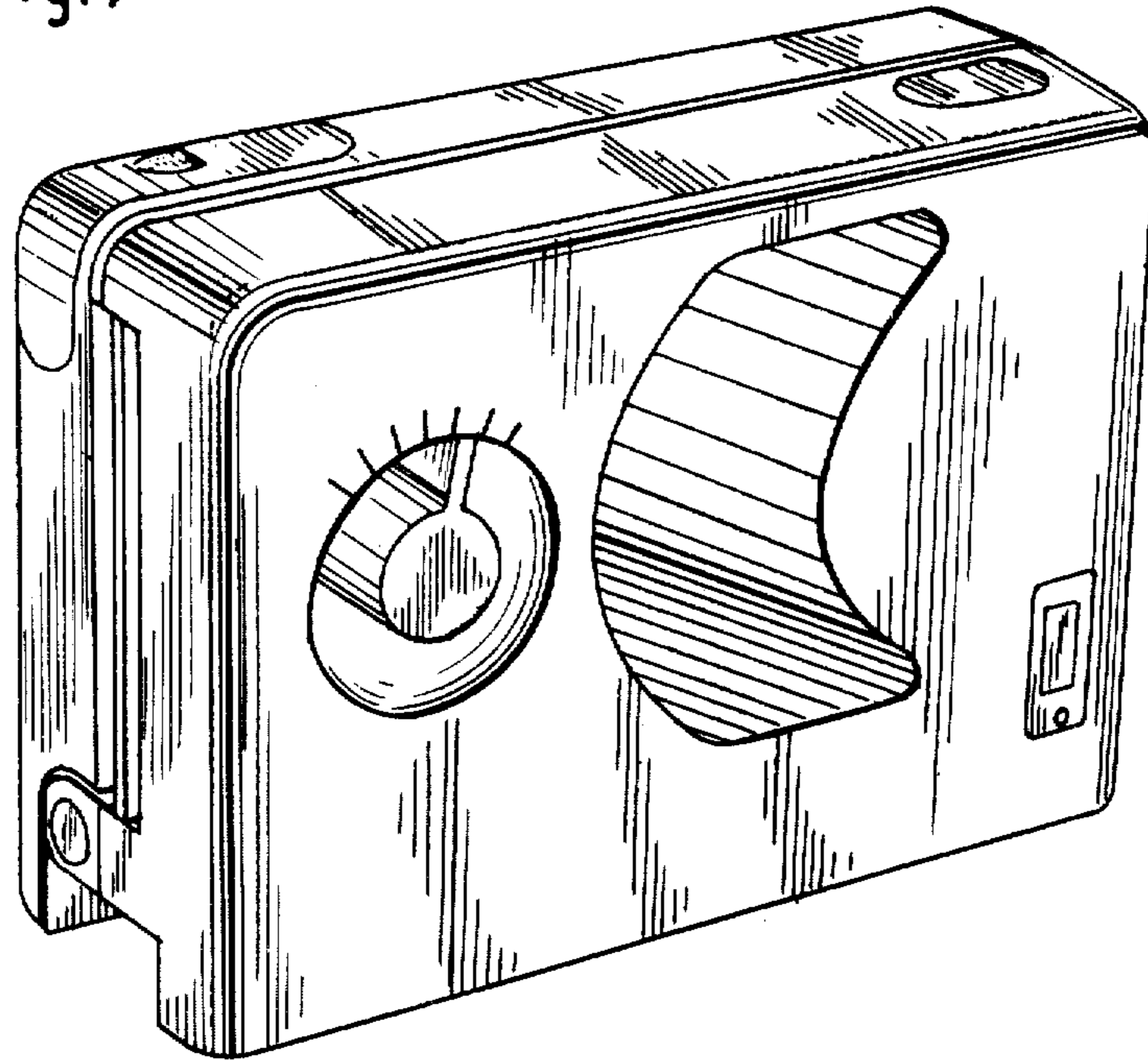


Fig. 8

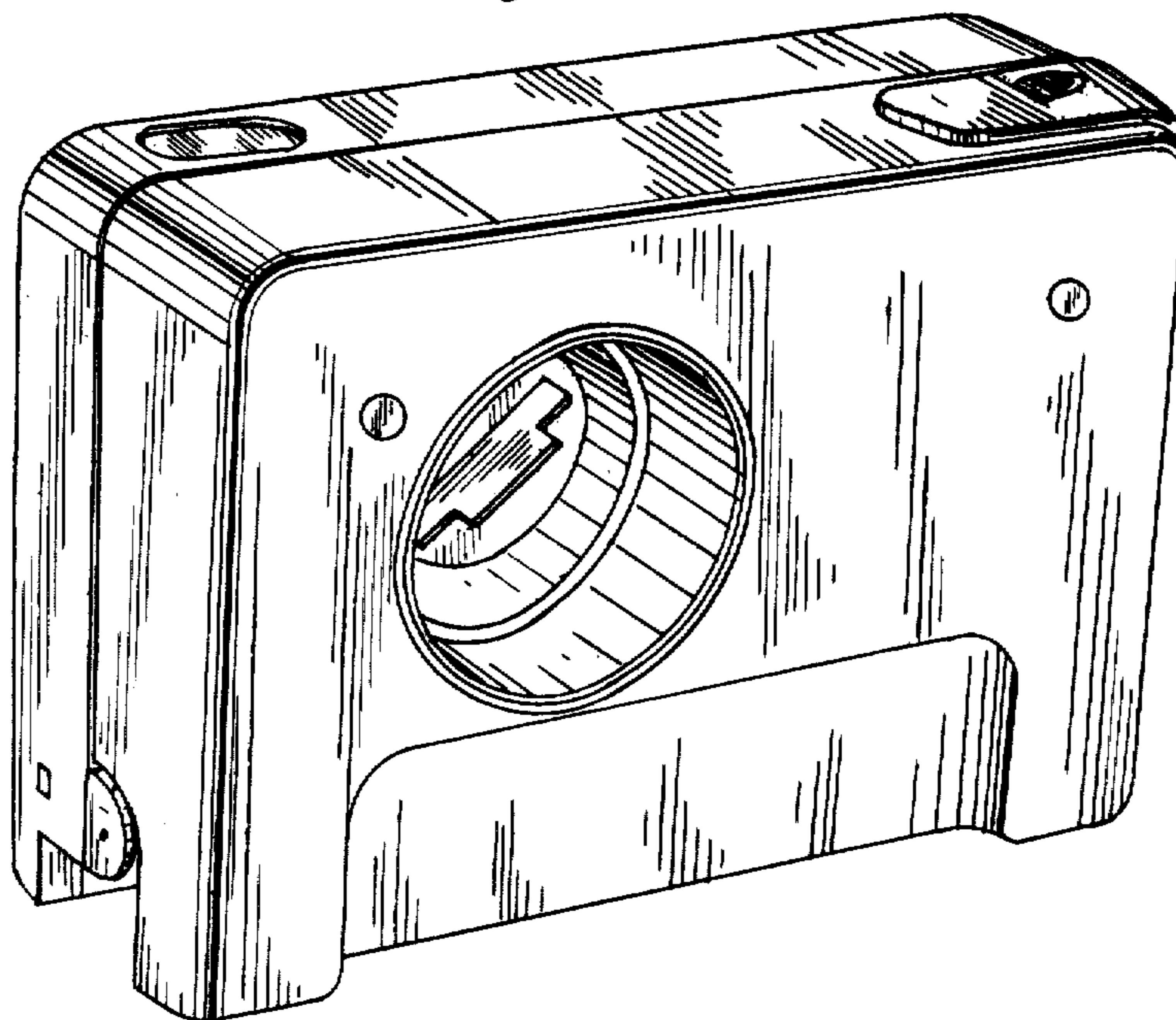


Fig. 9

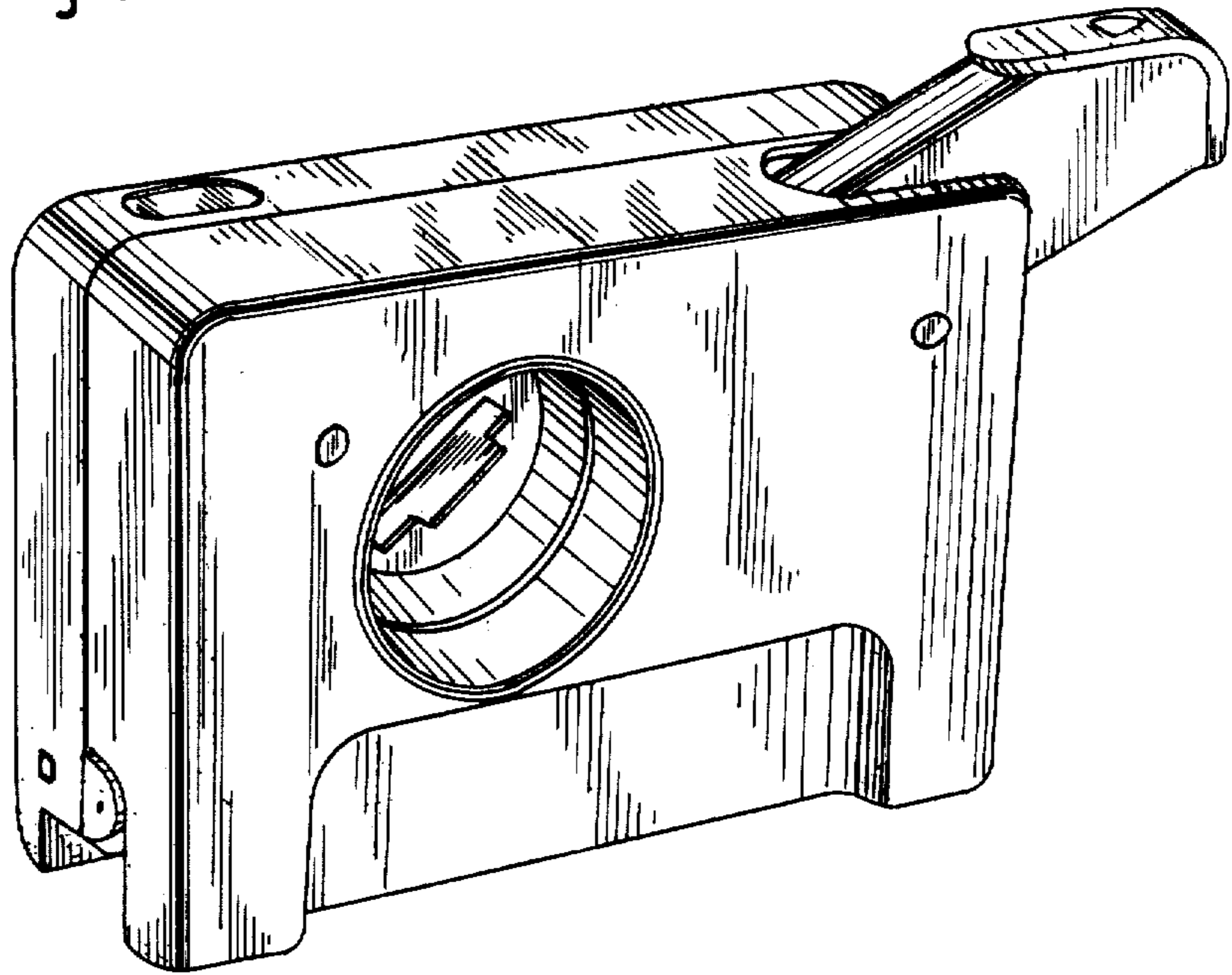


Fig. 10

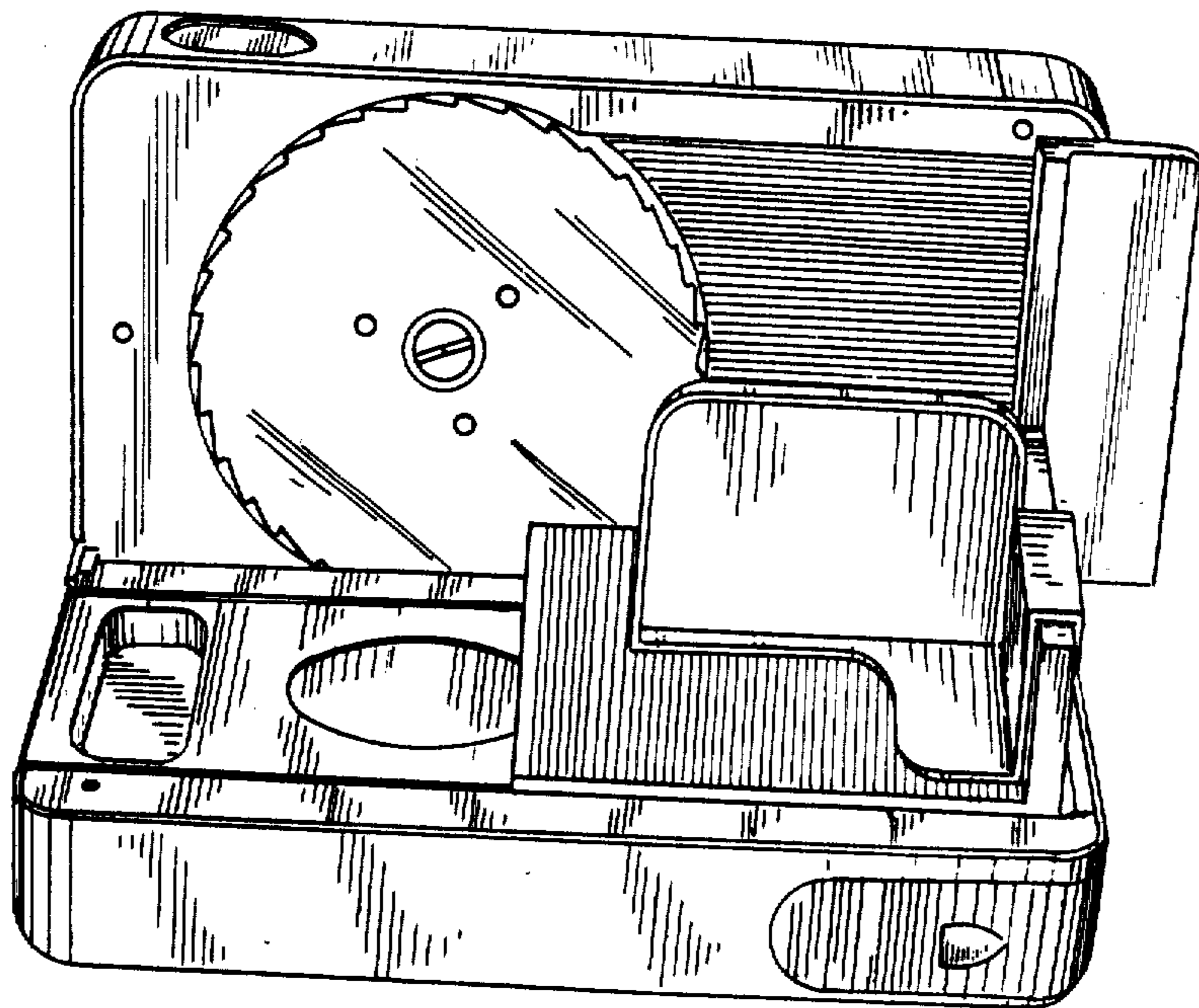


Fig. 11

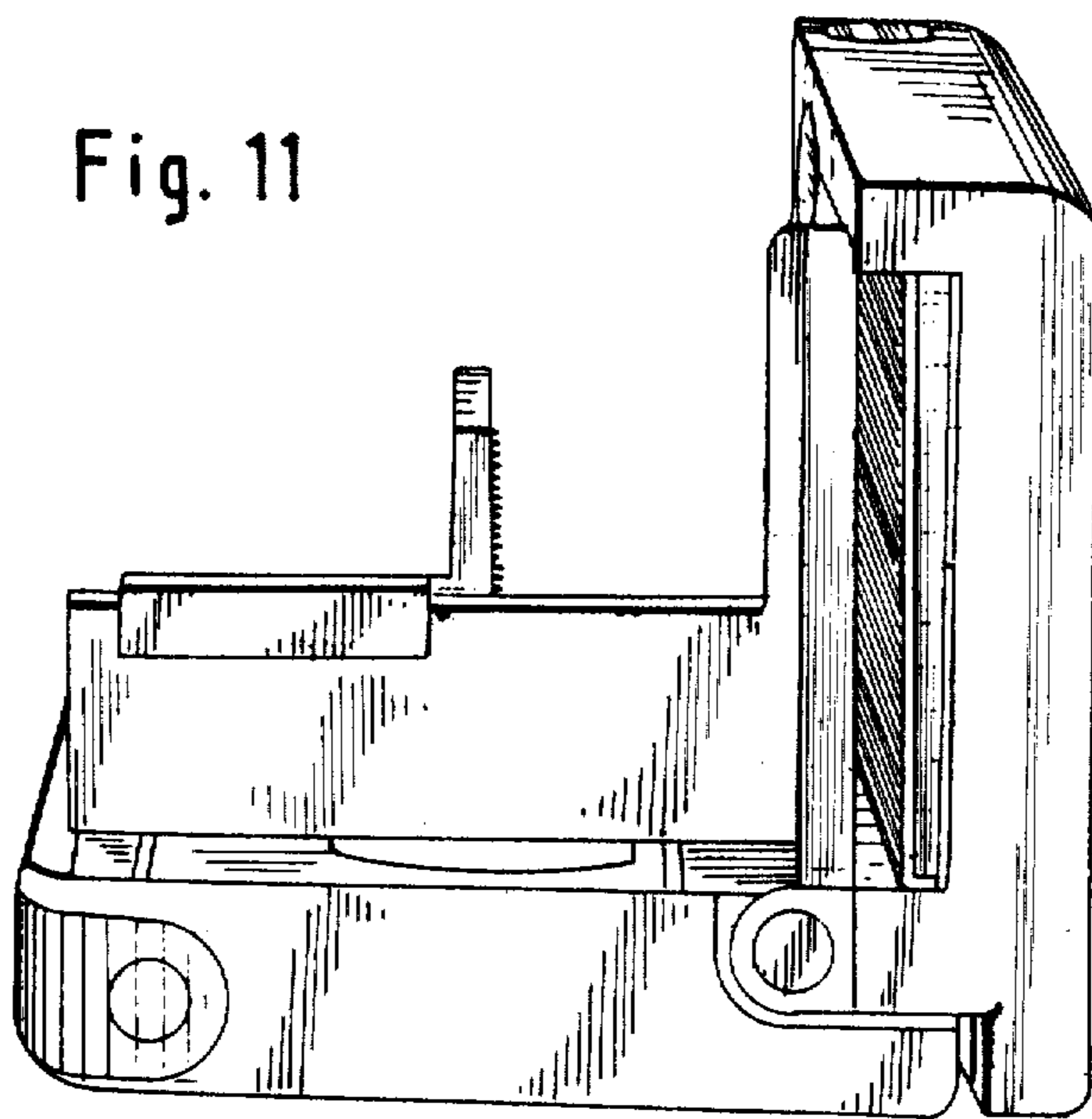


Fig. 12

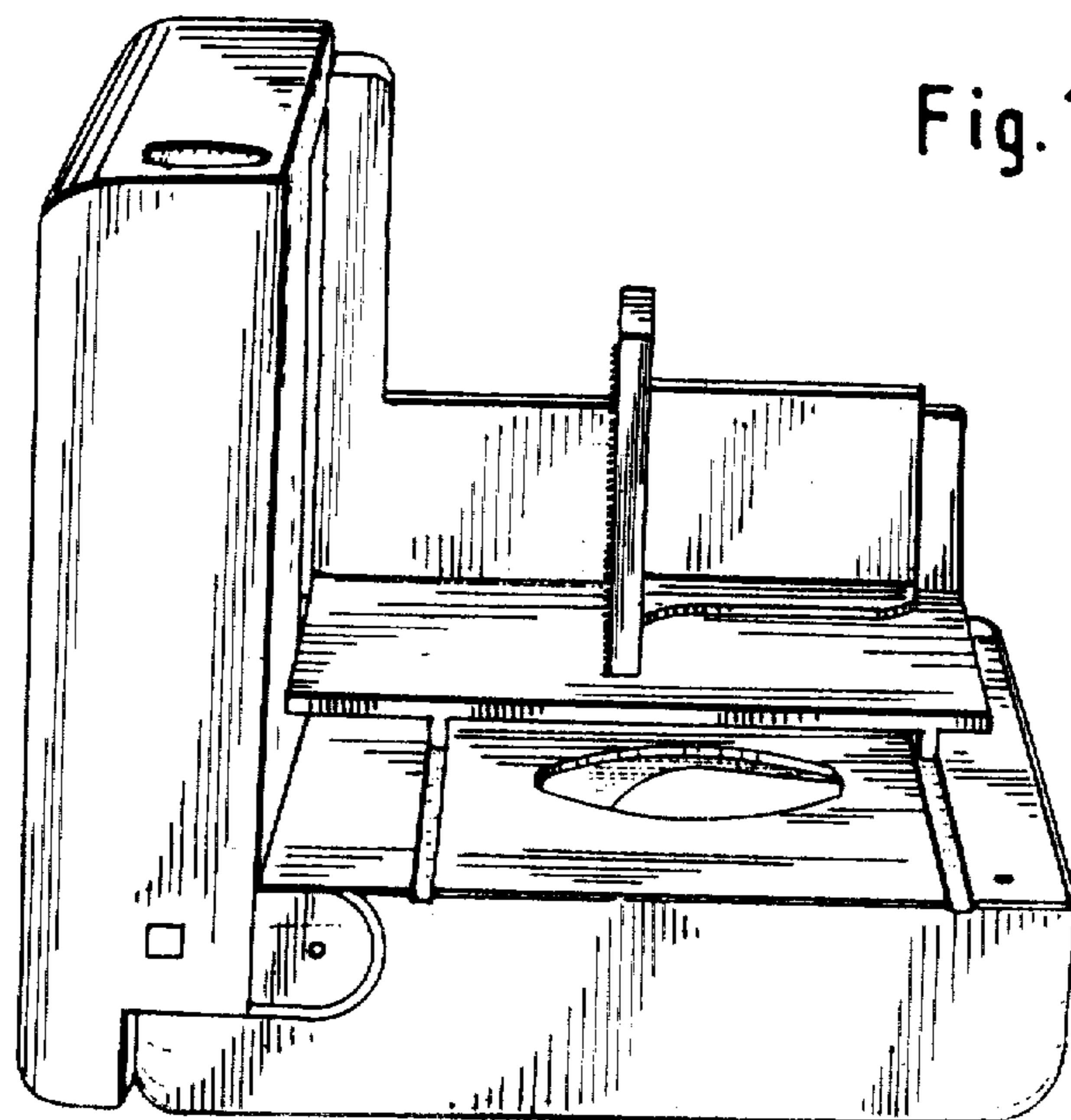


Fig. 13

