

[54] FOOD FORK

[75] Inventor: James E. Russell, Houston, Tex.

[73] Assignee: Universal Food Fork Corporation, Houston, Tex.

[**] Term: 14 Years

[21] Appl. No.: 123,176

[22] Filed: Feb. 19, 1980

[51] Int. Cl. D07-03

[52] U.S. Cl. D7/151; D7/106; D7/152

[58] Field of Search 30/344, 322; 294/55.5; D7/137, 150, 138, 151, 148, 152, 106

[56] References Cited

U.S. PATENT DOCUMENTS

- D. 185,568 6/1959 Polk D7/137
- D. 254,770 4/1980 Christen, Jr. D7/151
- 2,801,873 8/1957 Faughnder 30/322 X

FOREIGN PATENT DOCUMENTS

- 517478 10/1955 Canada 30/322
- 338843 3/1936 Italy 30/322

OTHER PUBLICATIONS

Tableware International, Aug. 1977, p. 40, top r. panel #3, "Patio", Cutlery with Rosewood Handles, center Fork.

Retailing Home Furnishings, Jan. 16, 1978, Sec. 3, p. 18, "Mighty Oak", by Imperial, center Knife-bottom row-3 Rivet Handle.

Primary Examiner—Winifred E. Herrmann
Attorney, Agent, or Firm—Ranseler O. Wyatt

[57] CLAIM

The ornamental design for a food fork, as shown.

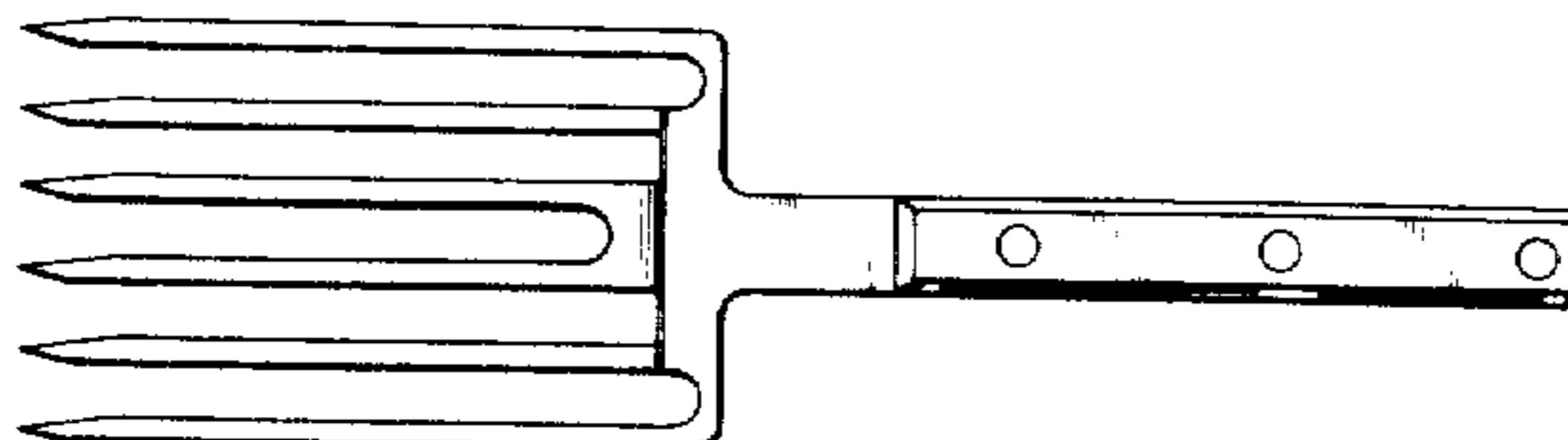
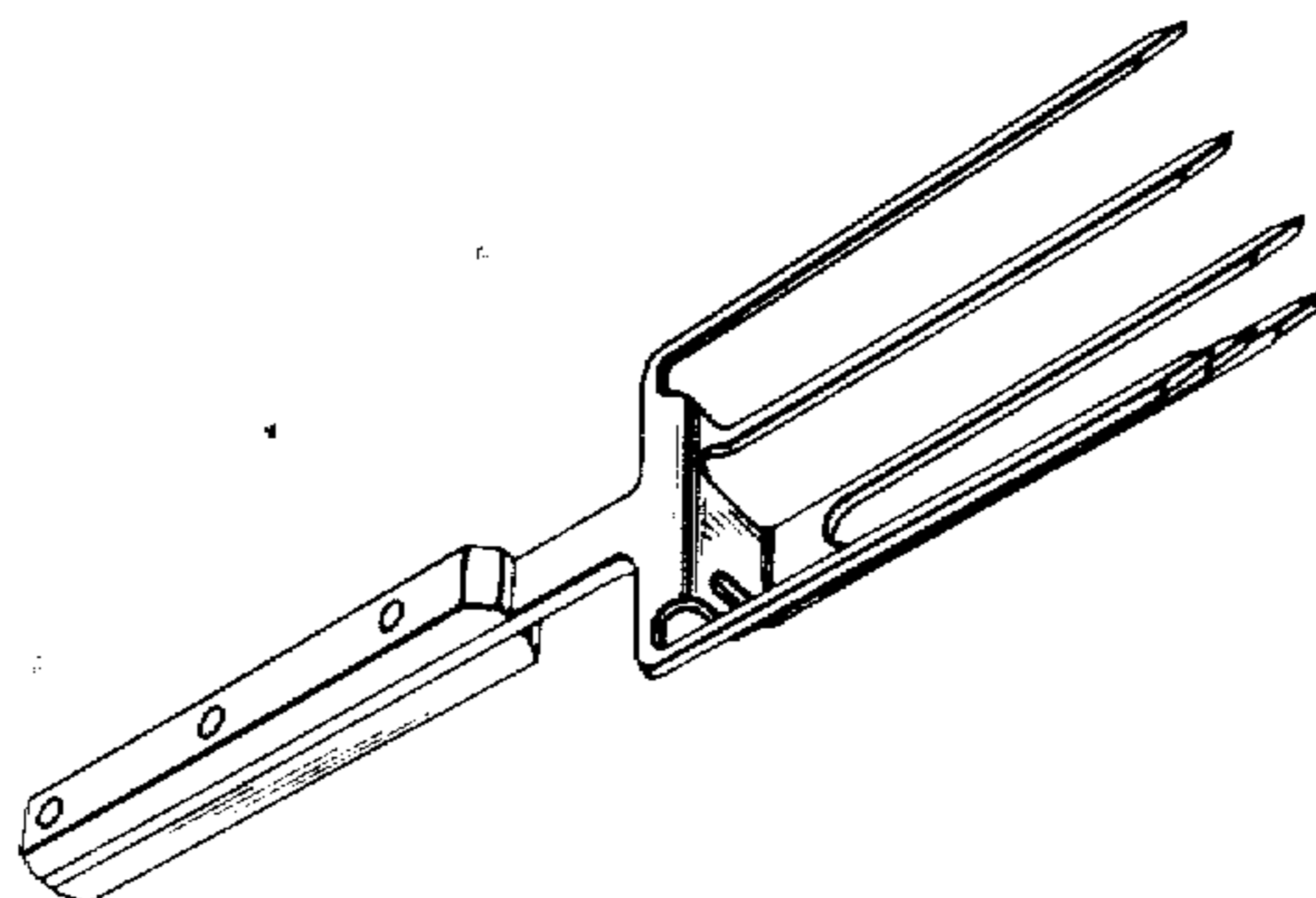
DESCRIPTION

FIG. 1 is a top perspective view of a food fork showing one side of my new design;

FIG. 2 is an end elevational view thereof taken from the handle end;

FIG. 3 is a top plan view thereof; and

FIG. 4 is a side elevational view thereof opposite that shown in FIG. 1.



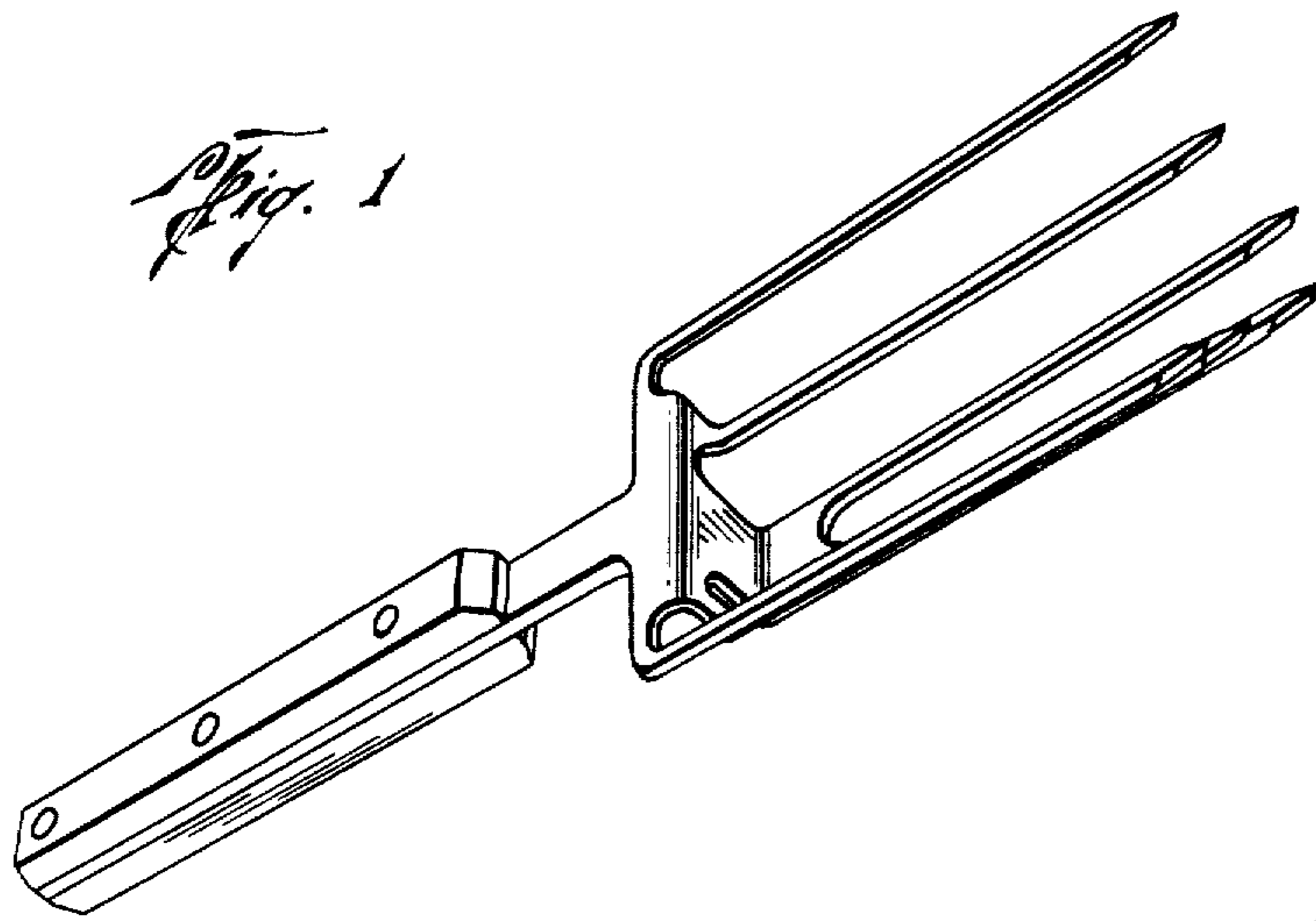


Fig. 2

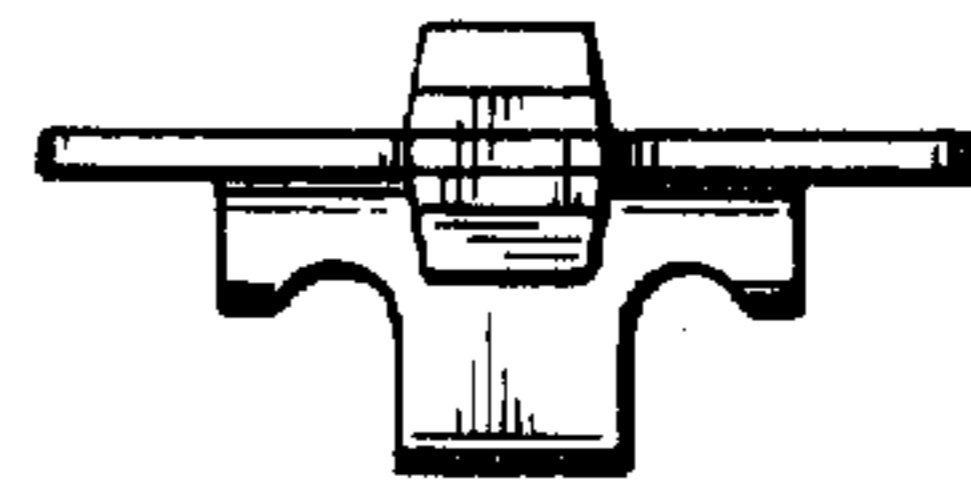


Fig. 3

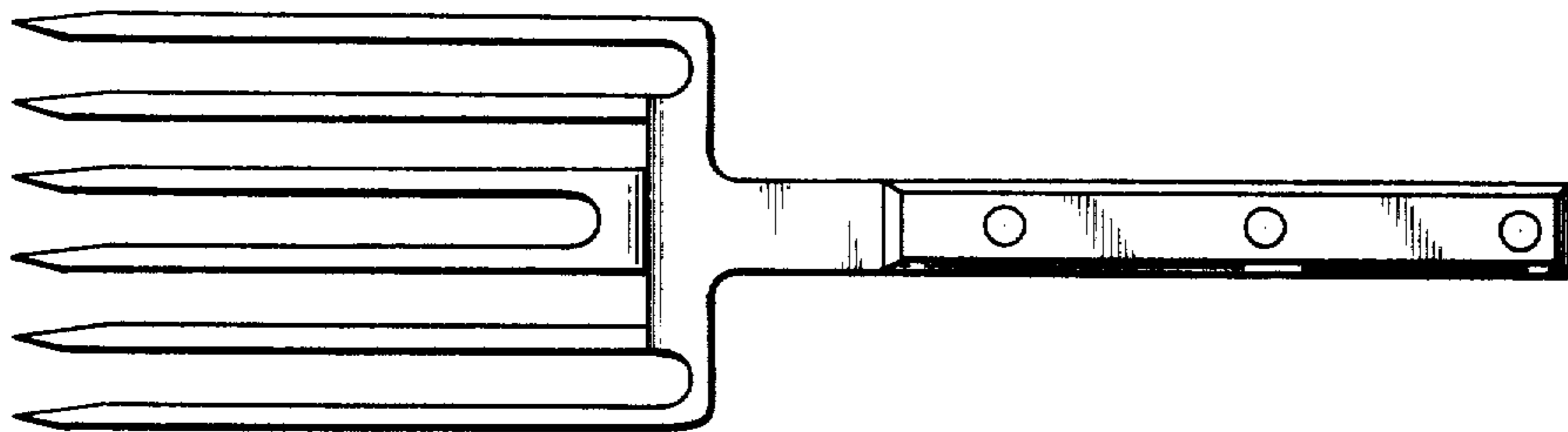


Fig. 4

