

[54] HANGER FOR CARPET DISPLAYS

[76] Inventor: Hans K. Wallenwein, 98 Grandview Ave., Thornhill, Ontario, Canada

[\*\*] Term: 14 Years

[21] Appl. No.: 55,450

[22] Filed: Jul. 6, 1979

[30] Foreign Application Priority Data

Jun. 15, 1979 [CA] Canada ..... 15-06-79-3

[51] Int. Cl. .... D6-08

[52] U.S. Cl. .... D6/252

[58] Field of Search ..... D6/113, 247, 252, 253, D6/249, 255; 211/45-48, 113, 116; 223/91, 92, 93, 95, 96, 98

[56] References Cited

U.S. PATENT DOCUMENTS

D. 148,407	1/1948	Cleary	.....	D6/247
D. 213,929	4/1969	Cauthen	.....	D6/253
2,908,429	10/1959	Edwards	.....	223/91
2,964,197	12/1959	Wallace	.....	211/45
3,067,917	12/1962	Reller et al.	.....	223/91
3,946,915	3/1976	Crane	.....	223/96

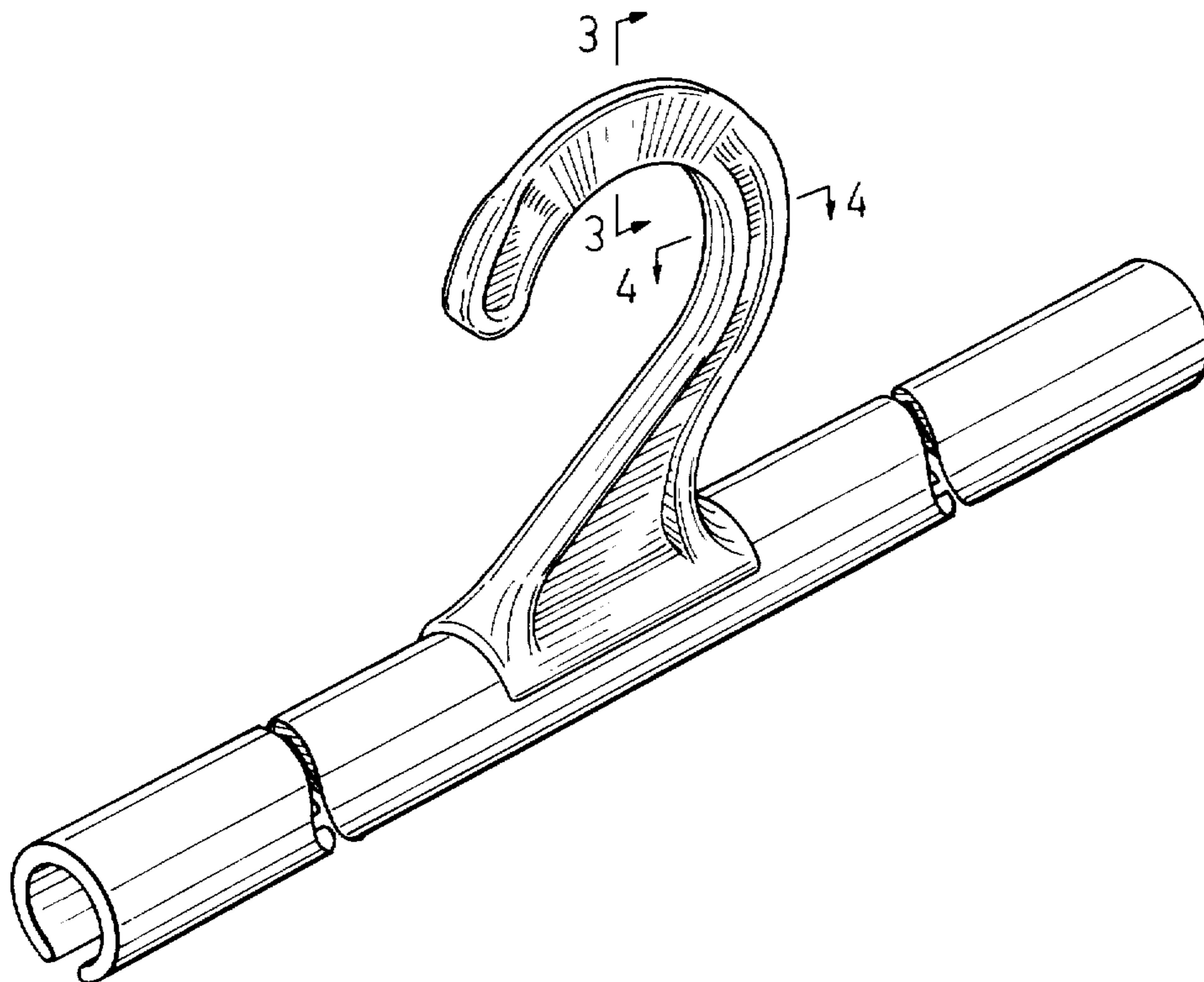
Primary Examiner—Peter M. Caun  
Attorney, Agent, or Firm—W. L. Hayhurst

[57] CLAIM

The ornamental design for a hanger for carpet displays, as shown.

DESCRIPTION

FIG. 1 is a front perspective view of a hanger for carpet displays showing my new design;  
FIG. 2 is a rear perspective view thereof;  
FIG. 3 is an enlarged sectional view thereof along the line 3—3 in FIG. 1; and  
FIG. 4 is an enlarged sectional view thereof along the line 4—4 in FIG. 1.



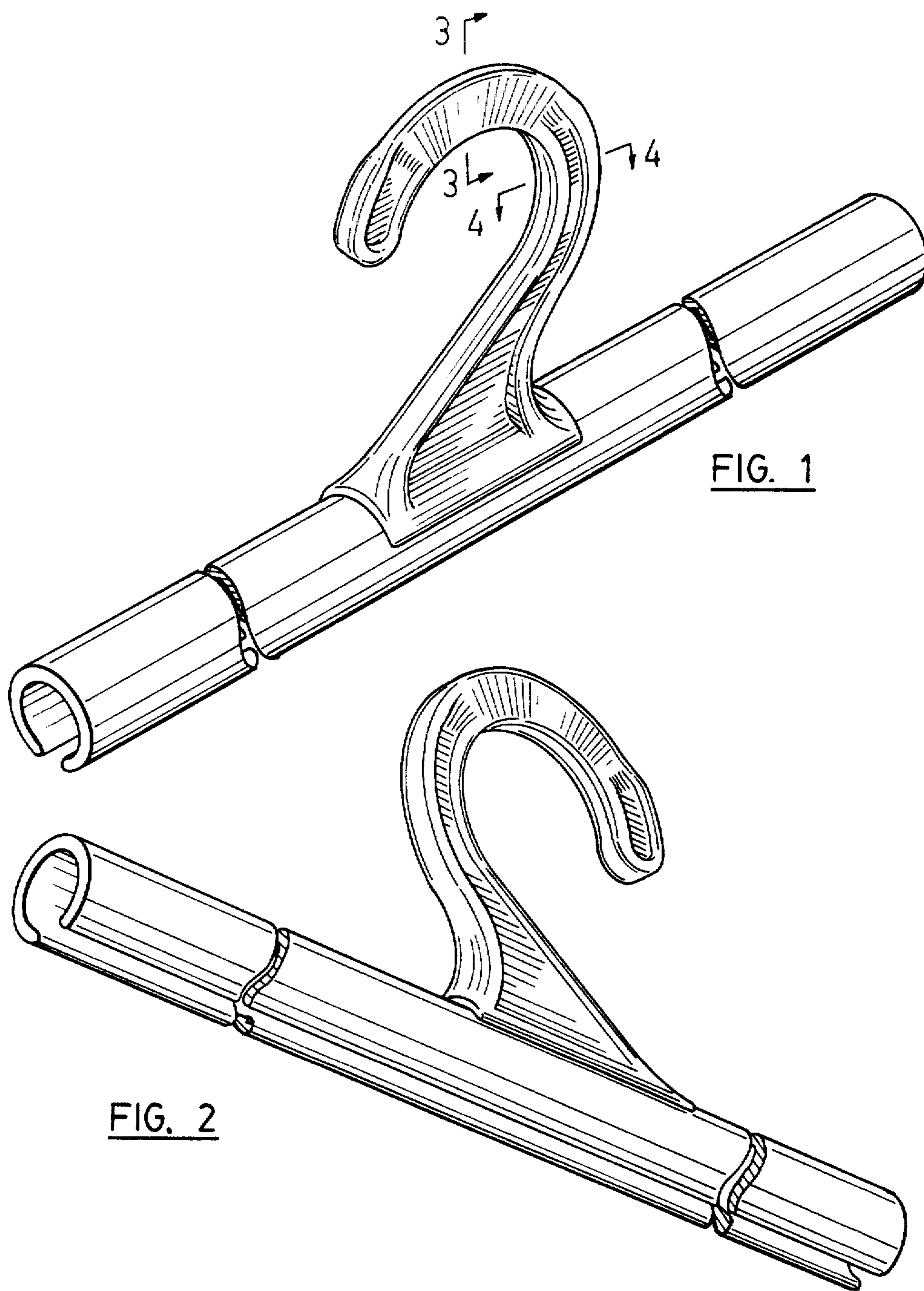


FIG. 1

FIG. 2

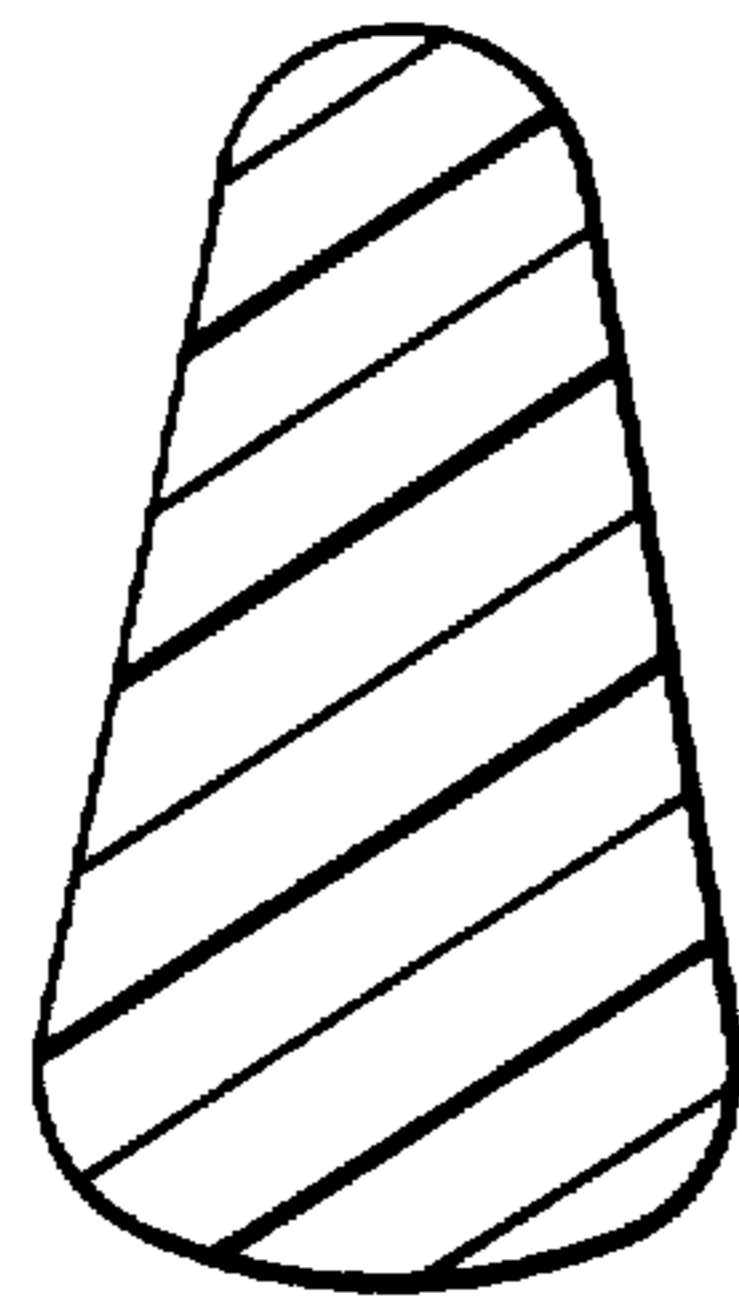


FIG. 3

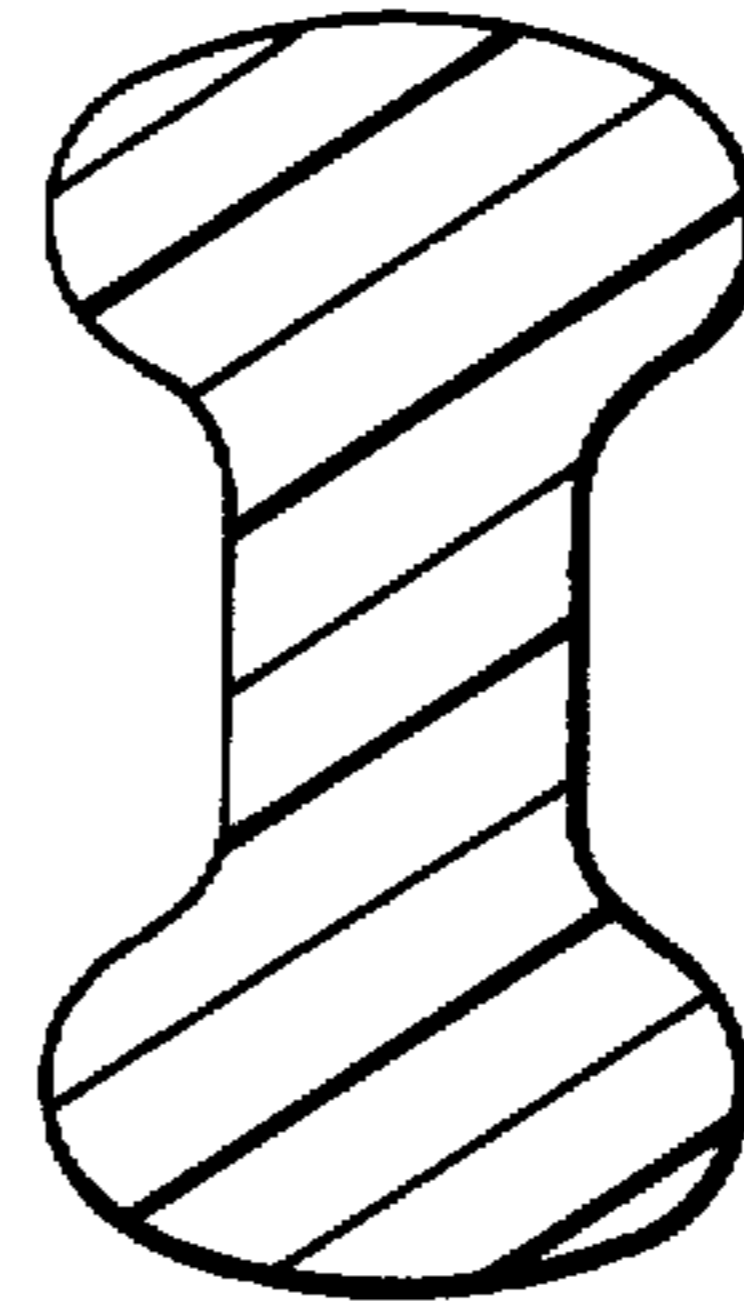


FIG. 4