

[54] ADJUSTABLE TABLE

[76] Inventor: Darrell A. Schoenig, 432 Clover La., Ft. Collins, Colo. 80521

[\*\*] Term: 14 Years

[21] Appl. No.: 81,212

[22] Filed: Oct. 2, 1979

[51] Int. Cl. .... D6-03

[52] U.S. Cl. .... D6/178

[58] Field of Search ..... D6/177-179; 108/5, 115, 121, 125, 127, 129

[56] References Cited

U.S. PATENT DOCUMENTS

- D. 176,088 11/1955 Trickle, Jr ..... D6/178 X
- D. 199,871 12/1964 Lanigan ..... D6/178 X
- 2,934,386 4/1960 Shore ..... D6/178 X
- 4,168,669 9/1979 Arnoff ..... D6/178 X

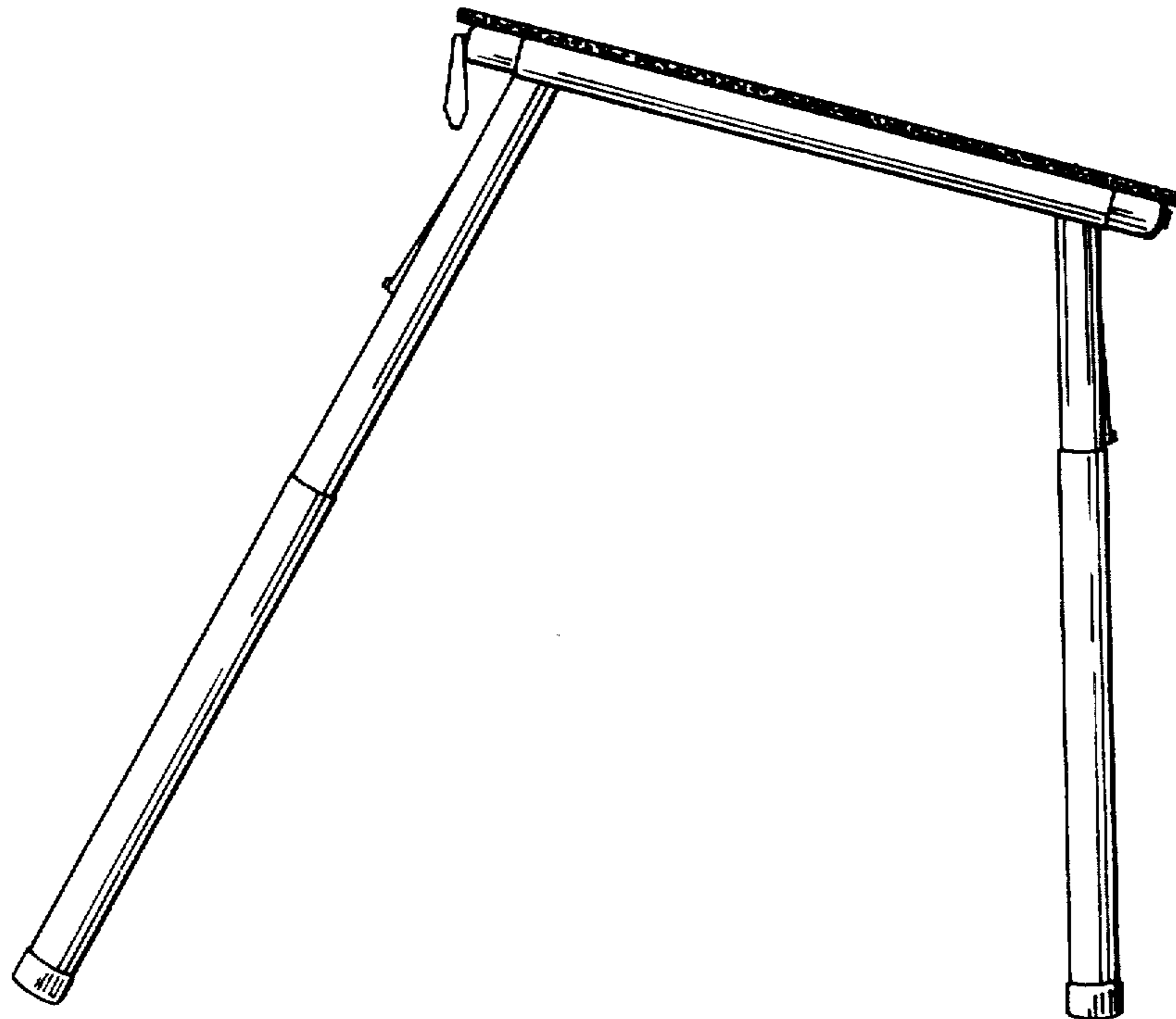
Primary Examiner—Bruce W. Dunkins  
Attorney, Agent, or Firm—Hugh H. Drake

[57] CLAIM

The ornamental design for an adjustable table, as shown and described.

DESCRIPTION

FIG. 1 is a front elevational view of an adjustable table embodying the new design;  
 FIG. 2 is a rear elevational view thereof;  
 FIG. 3 is one side elevational view thereof;  
 FIG. 4 is a top plan view thereof, legs and braces shown in FIGS. 1, 2 and 3 being in a storage position beneath the top as shown in FIG. 5, a handle shown in FIGS. 2 and 3 being in a different position;  
 FIG. 5 is a bottom plan view thereof, but with the legs shown in FIGS. 1, 2 and 3 having been telescoped and swung to the storage position and with the braces also shown in those views having been disconnected from the legs and swung to the storage position, the handle being in the position of FIG. 4; and  
 FIG. 6 is an isometric view thereof.  
 The other side elevational view thereof is a mirror image of FIG. 3.



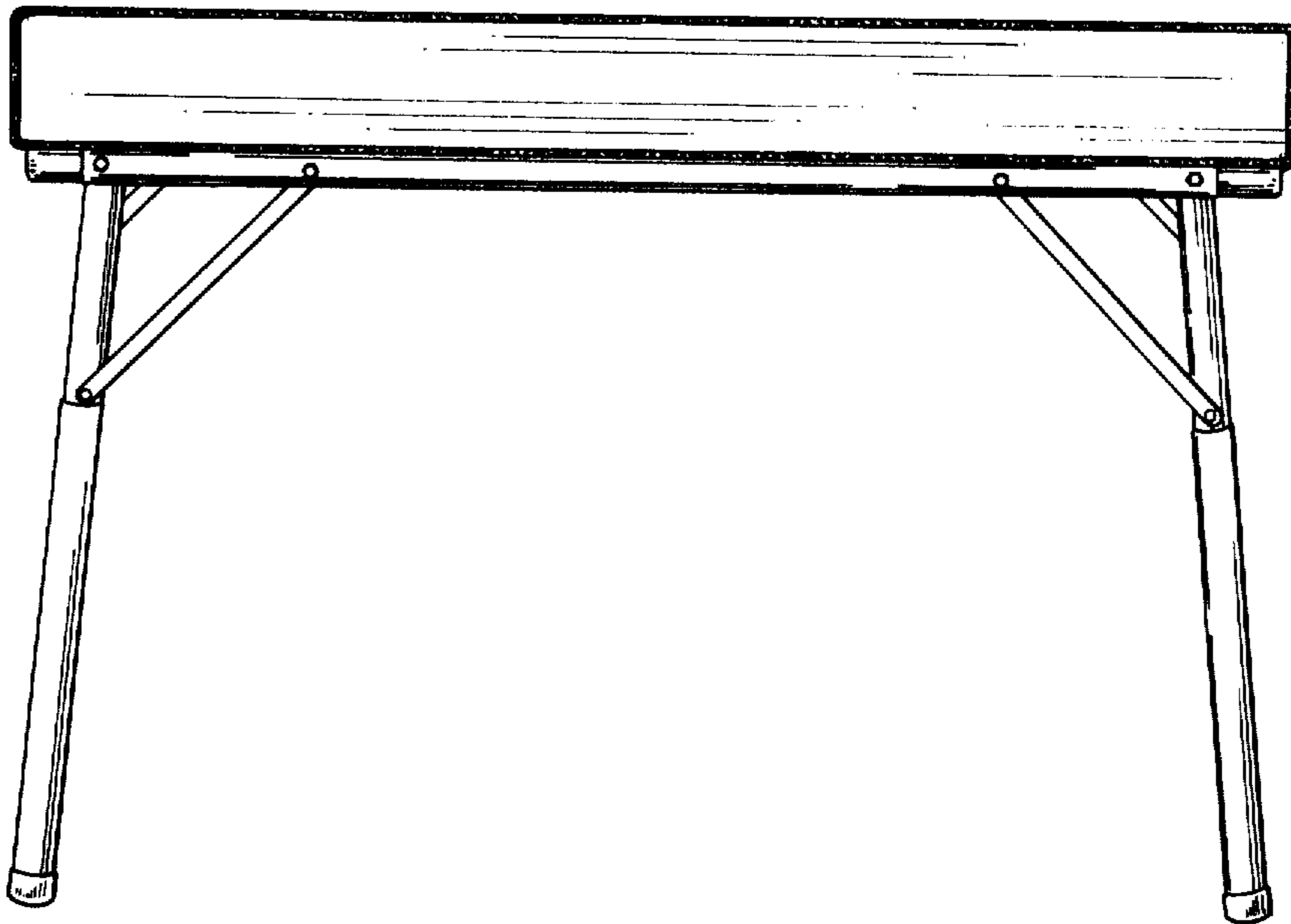


FIG. 1

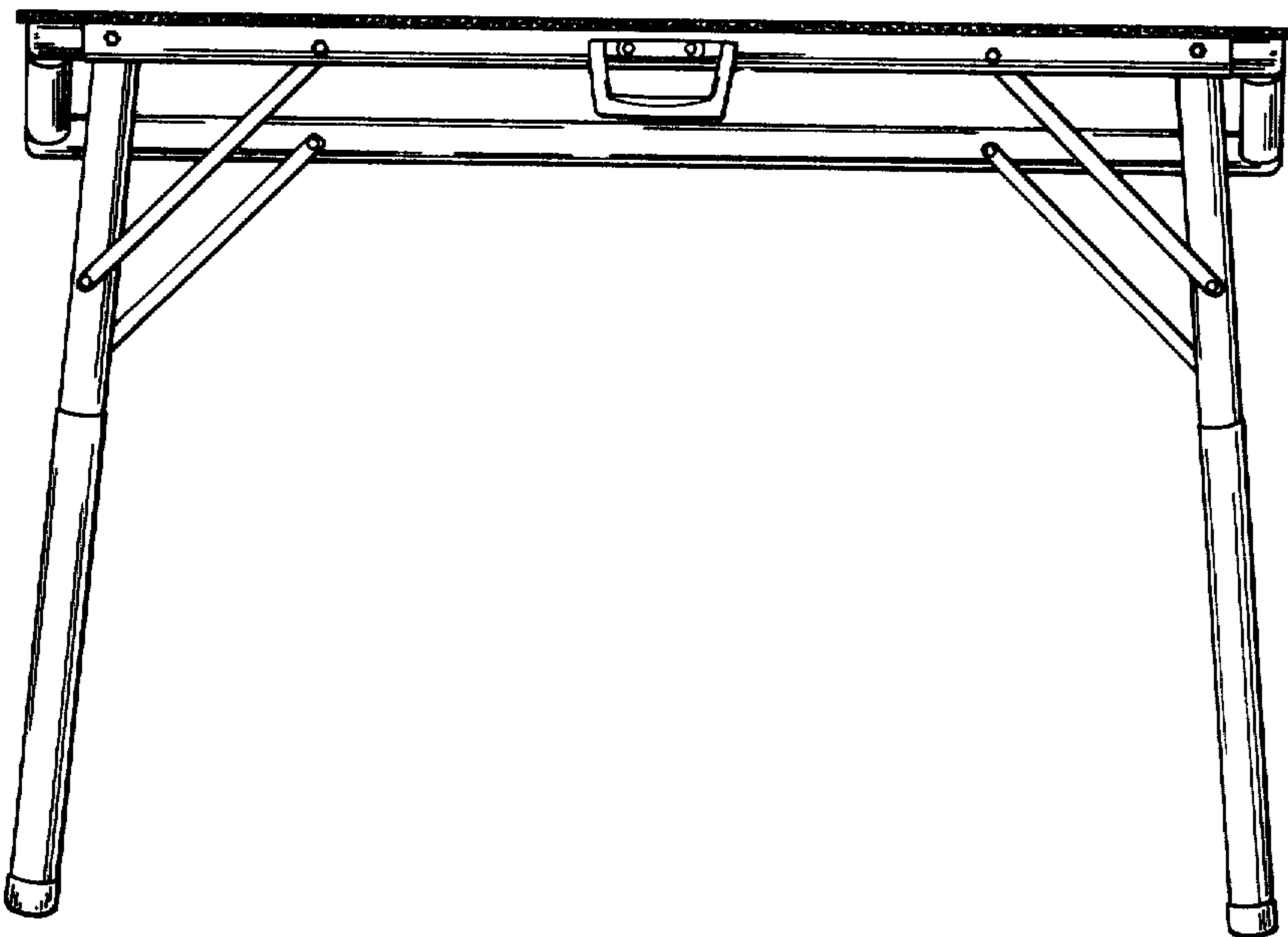


FIG. 2

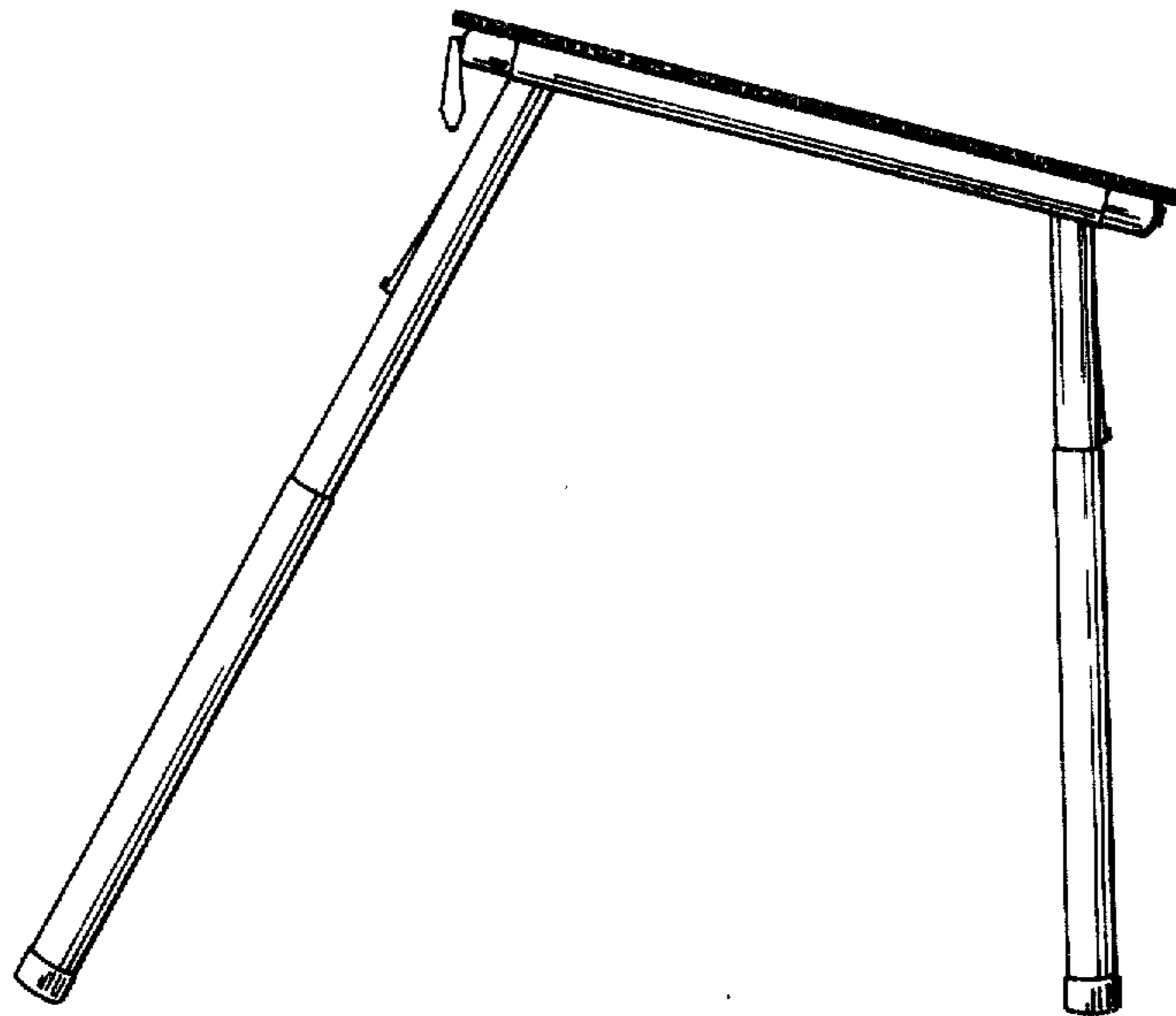


FIG. 3

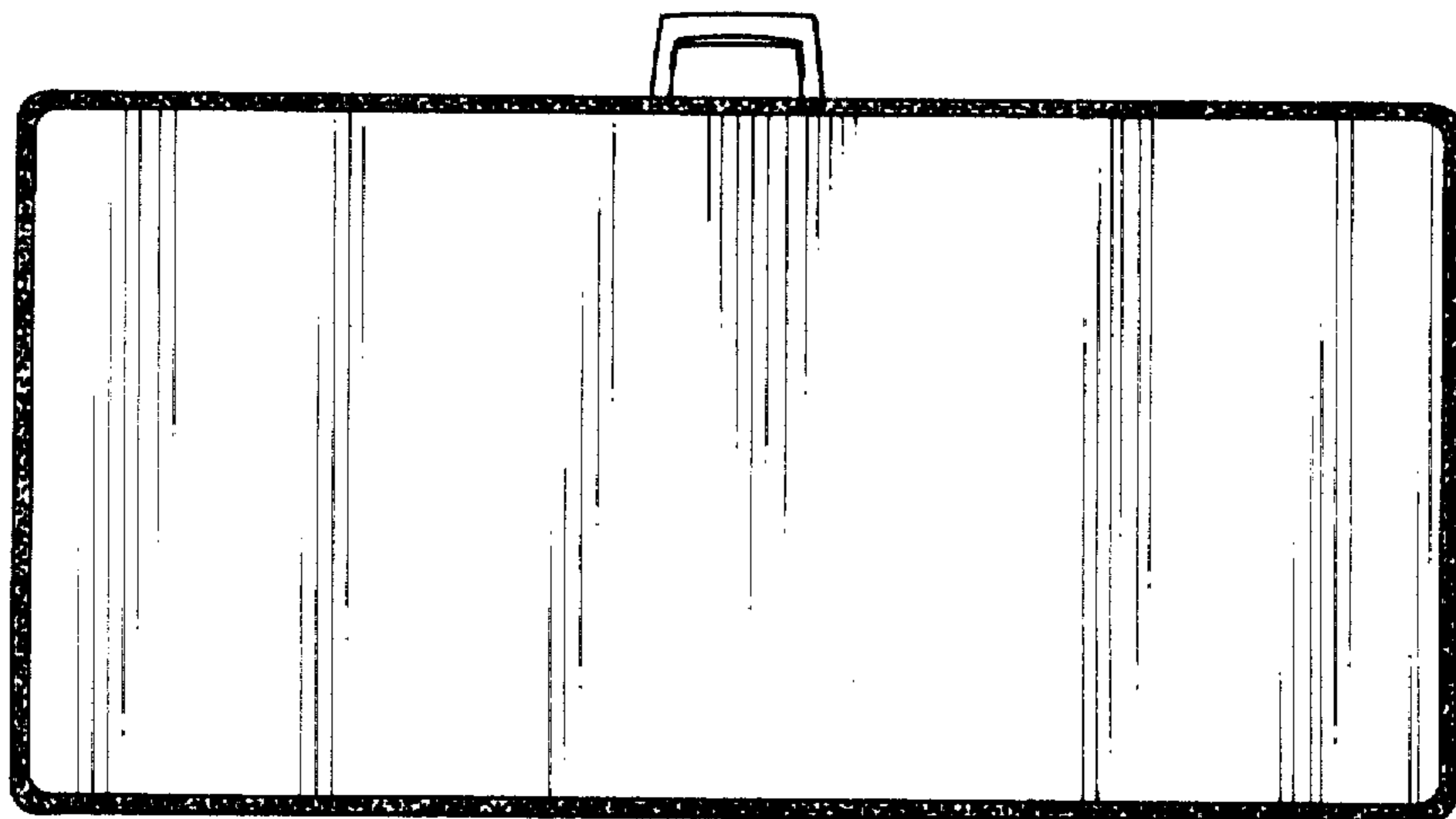


FIG. 4

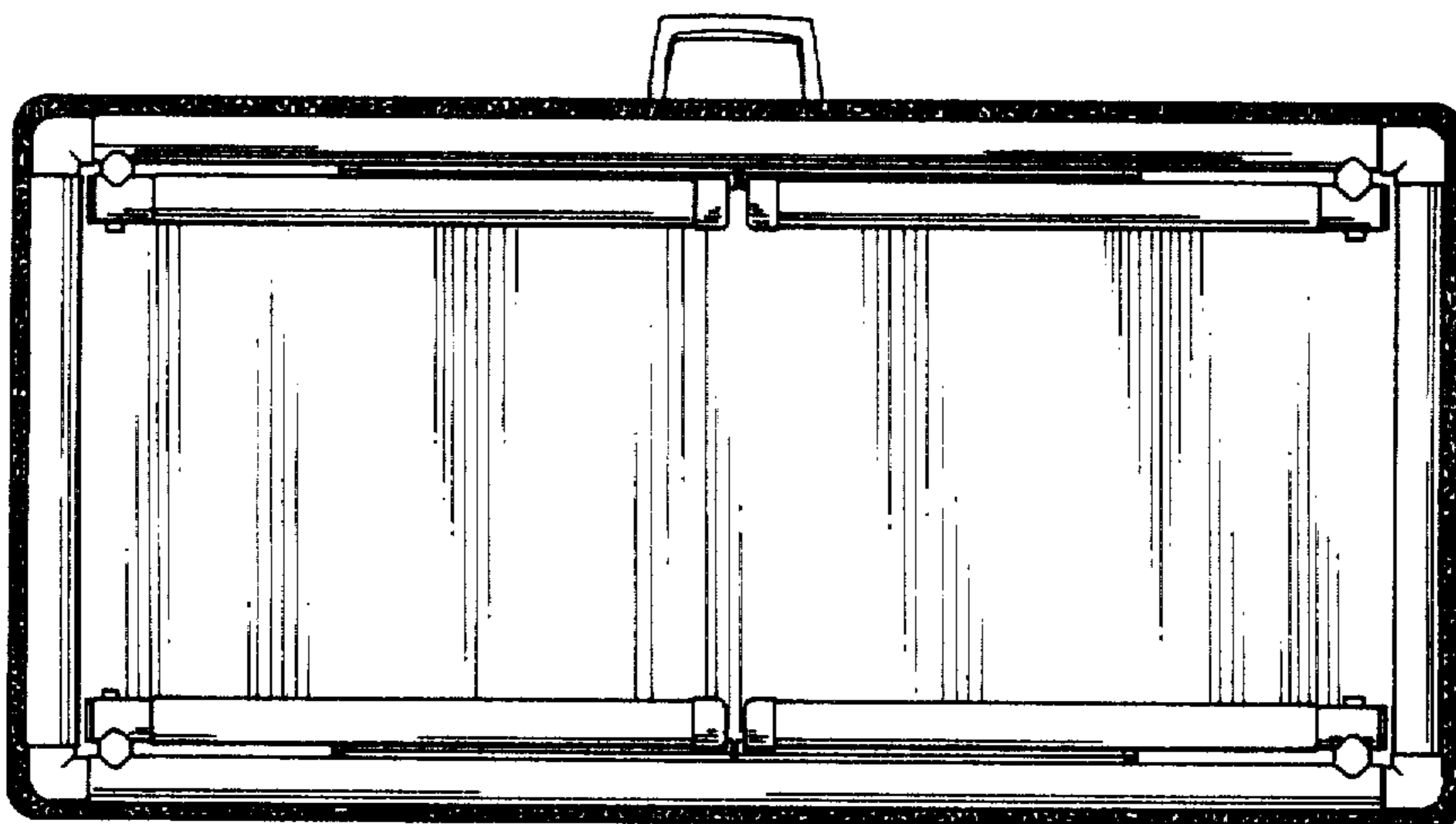


FIG. 5

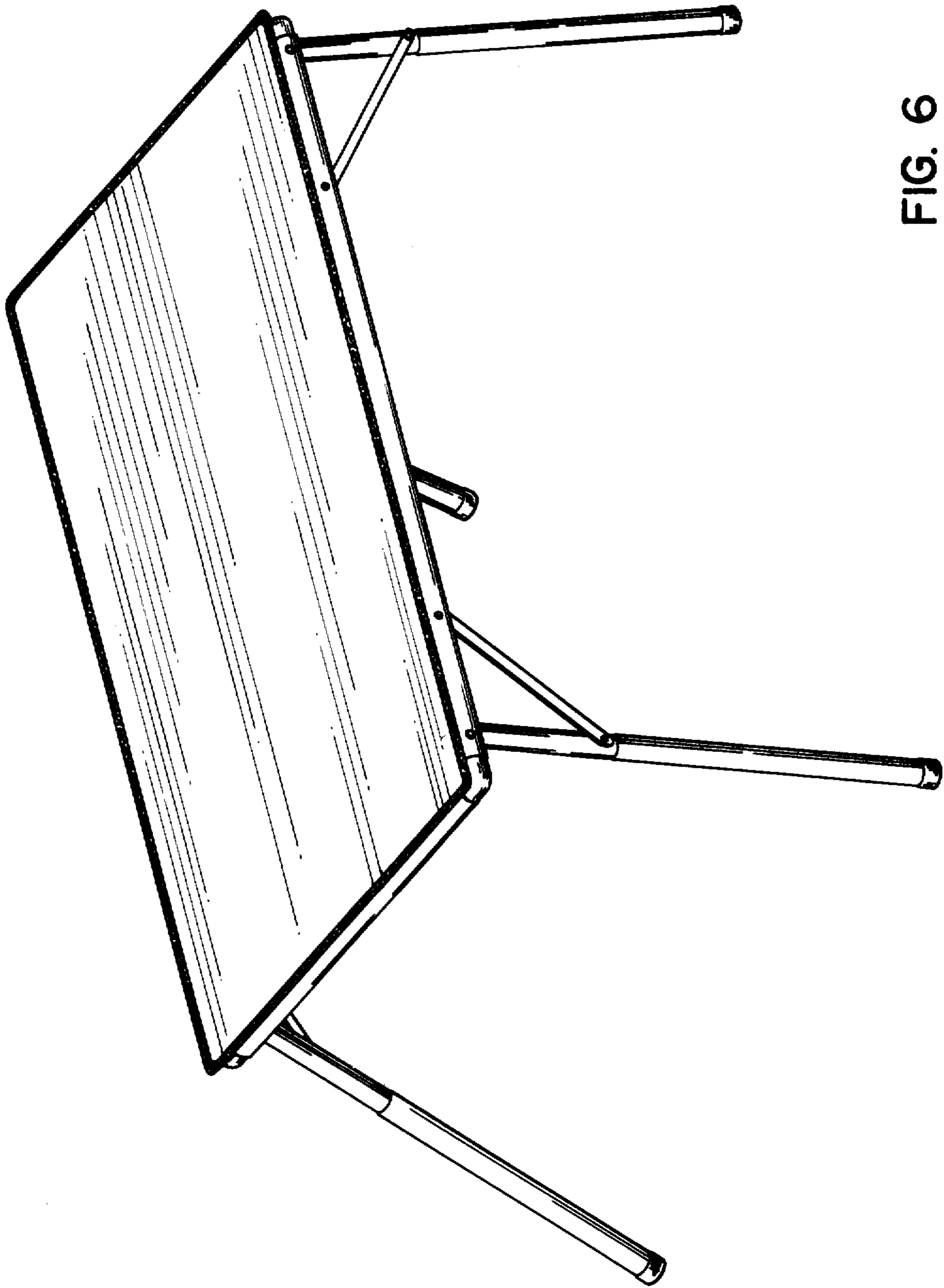


FIG. 6