

[54] **HOLDER FOR TOWEL OR THE LIKE**

[76] **Inventor:** Clinton H. Morey, 166 Leisure World, Mesa, Ariz. 85206

[**] **Term:** 14 Years

[21] **Appl. No.:** 54,281

[22] **Filed:** Jul. 2, 1979

[51] **Int. Cl.** D23—02; D8—08

[52] **U.S. Cl.** D6/102; D6/121; D8/371

[58] **Field of Search** D6/86, 102, 114, 120, D6/122, 121; D8/367, 371; 248/304-306, 205 A; 211/87

[56] **References Cited**

U.S. PATENT DOCUMENTS

3,016,224 1/1962 Hall 248/304
3,180,528 4/1965 Balint et al. 248/205 A

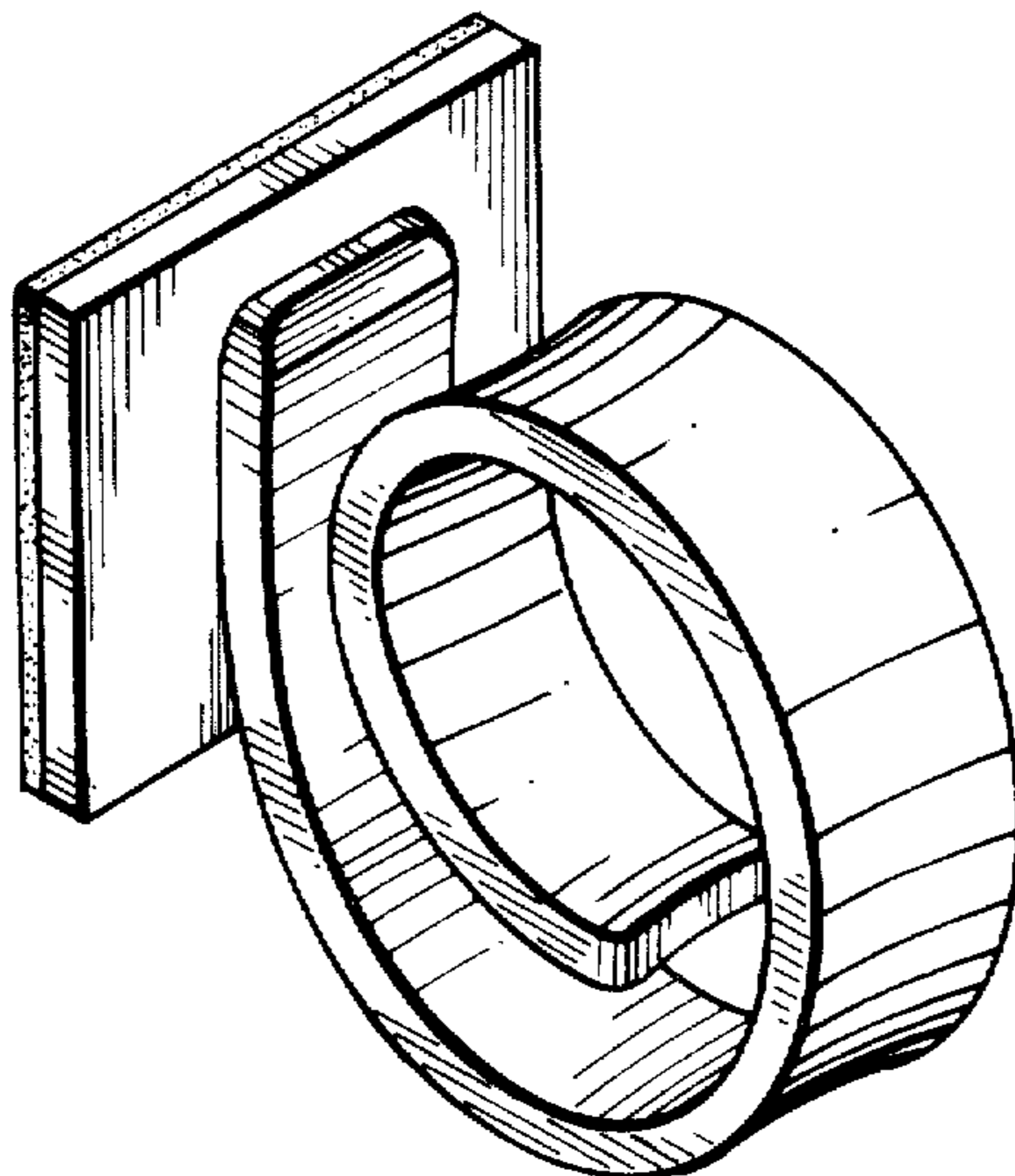
Primary Examiner—B. J. Bullock
Attorney, Agent, or Firm—Graybeal & Uhlir

[57] **CLAIM**

The ornamental design for a holder for towel or the like, substantially as shown and described.

DESCRIPTION

FIG. 1 is a perspective view from an upper aspect of a holder for a towel or the like, showing my new design; FIG. 2 is a side elevational view thereof; FIG. 3 is a top plan view thereof; FIG. 4 is a bottom plan view thereof; and FIG. 5 is a front elevational view thereof.



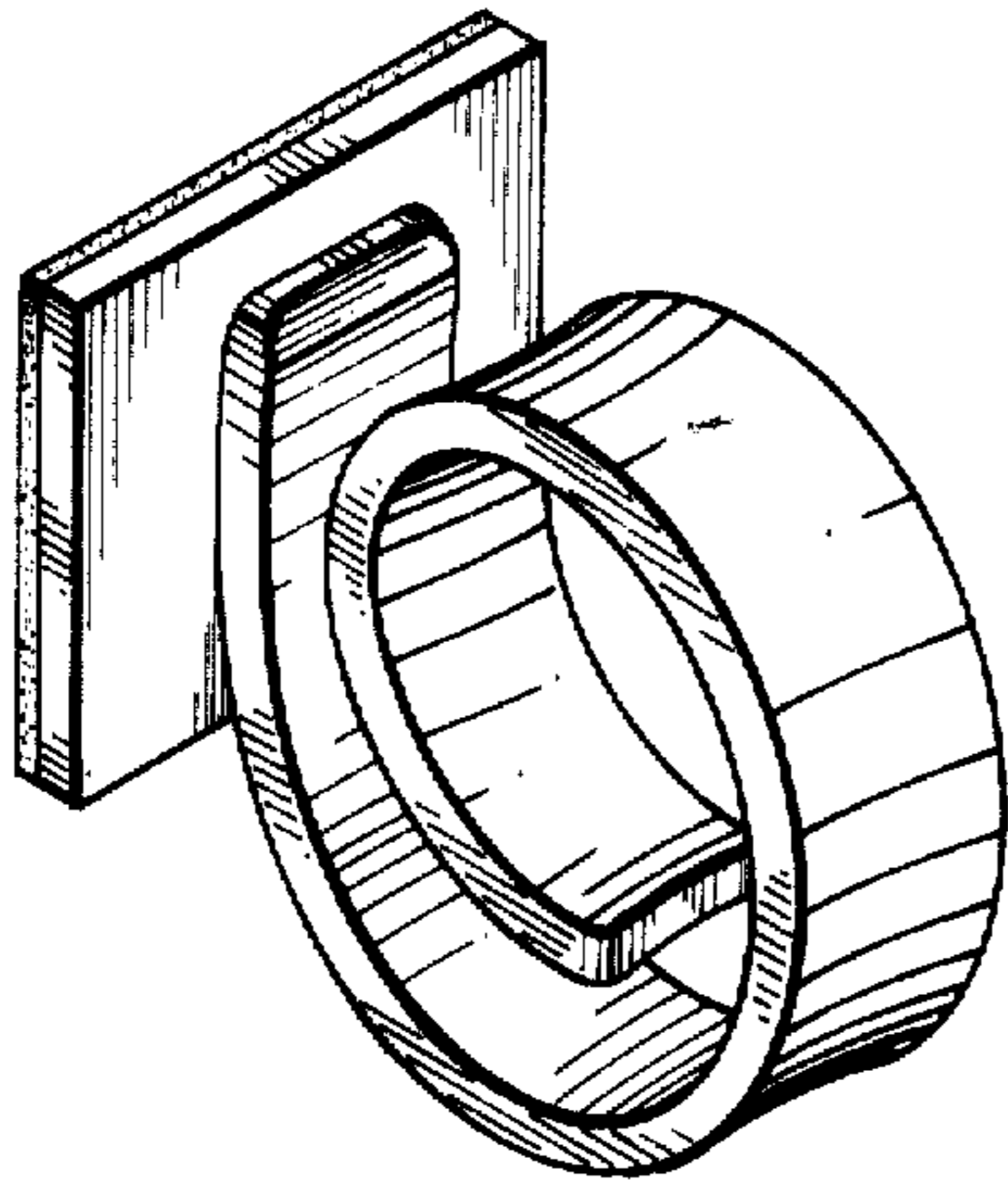


Fig. 1.

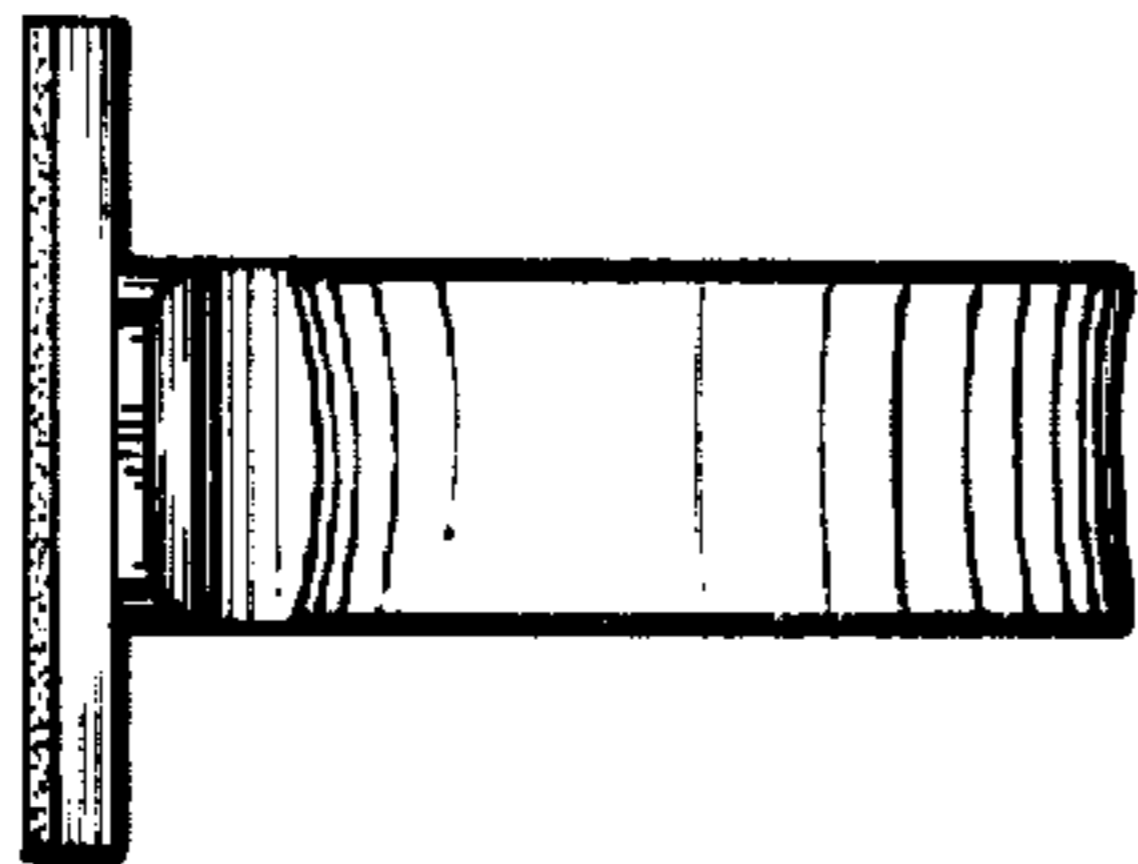


Fig. 3.

Fig. 2.

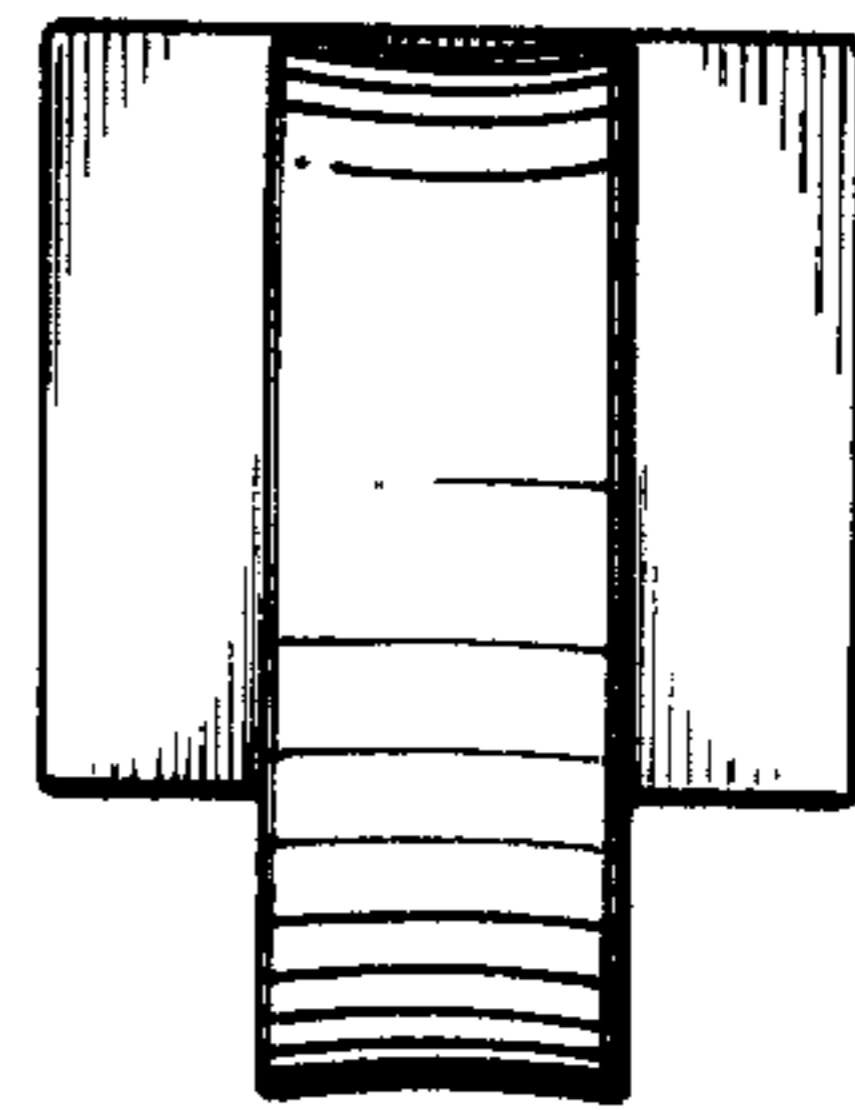
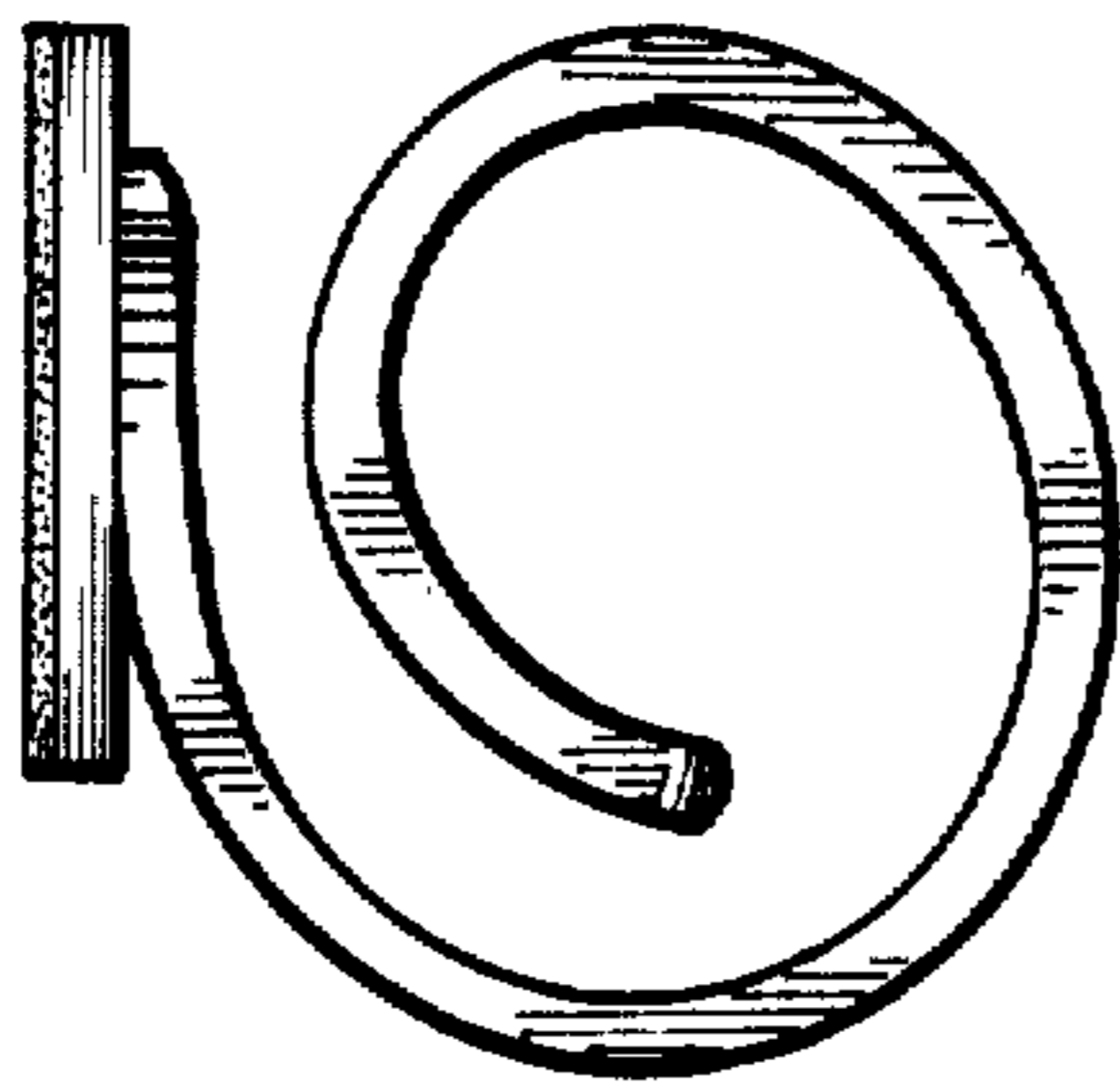


Fig. 5.

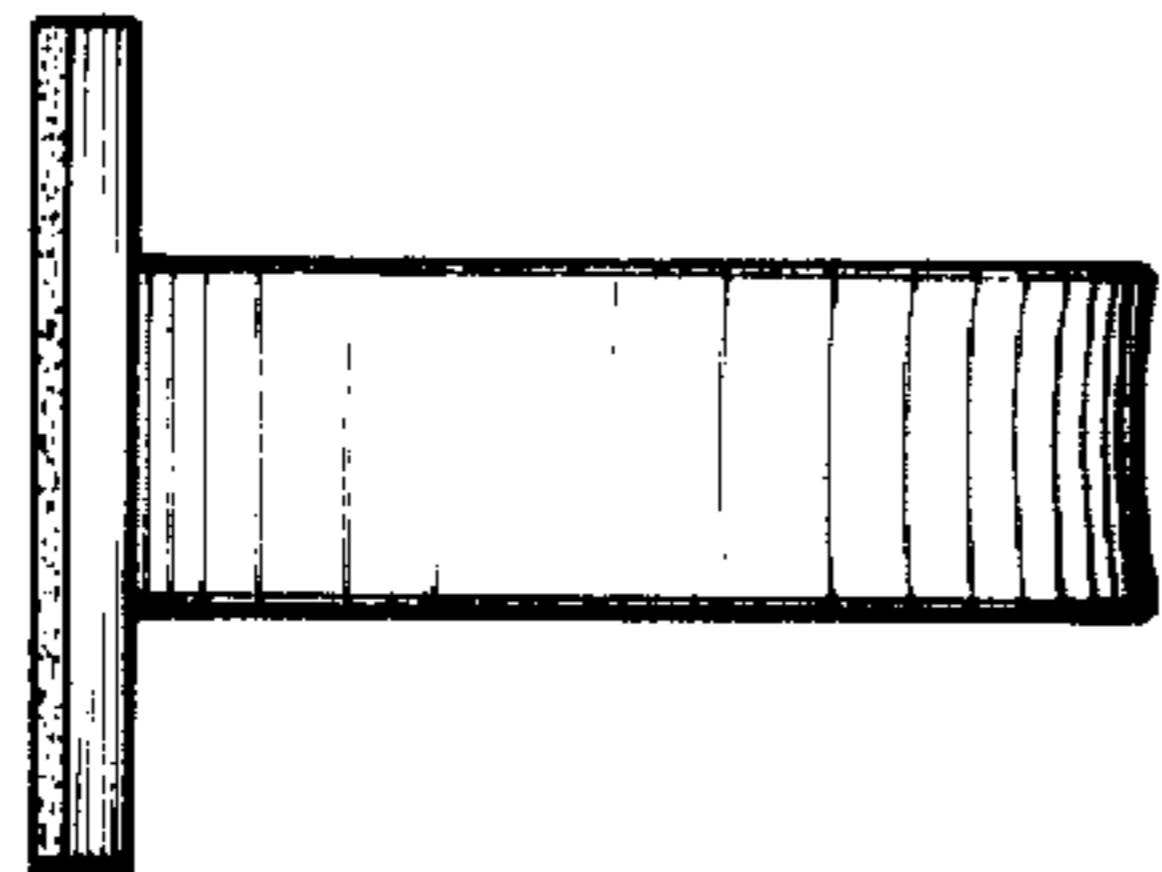


Fig. 4.