

[54] BATHROOM ACCESSORY SUPPORT FOR ATTACHMENT TO A FRAME

[56]

References Cited

U.S. PATENT DOCUMENTS

D. 158,139	4/1950	Simpson	D6/92
D. 215,163	9/1969	Beaman	D6/92
D. 228,271	9/1973	Tegner	D6/92
D. 231,166	4/1974	Tegner	D6/89
D. 238,733	2/1976	Read et al.	D6/99

[76] Inventors: Sidney J. Shames, 57 Holly Pl., Briarcliff Manor, N.Y. 10510; Harold Shames, 5 Agnes Cir., Ardsley, N.Y. 10502

Primary Examiner—B. J. Bullock
Attorney, Agent, or Firm—Norman Lettvin

[**] Term: 14 Years

[57] CLAIM

[21] Appl. No.: 137,352

The ornamental design for a bathroom accessory support for attachment to a frame, substantially as shown and described.

[22] Filed: Apr. 4, 1980

DESCRIPTION

[51] Int. Cl. D23—02

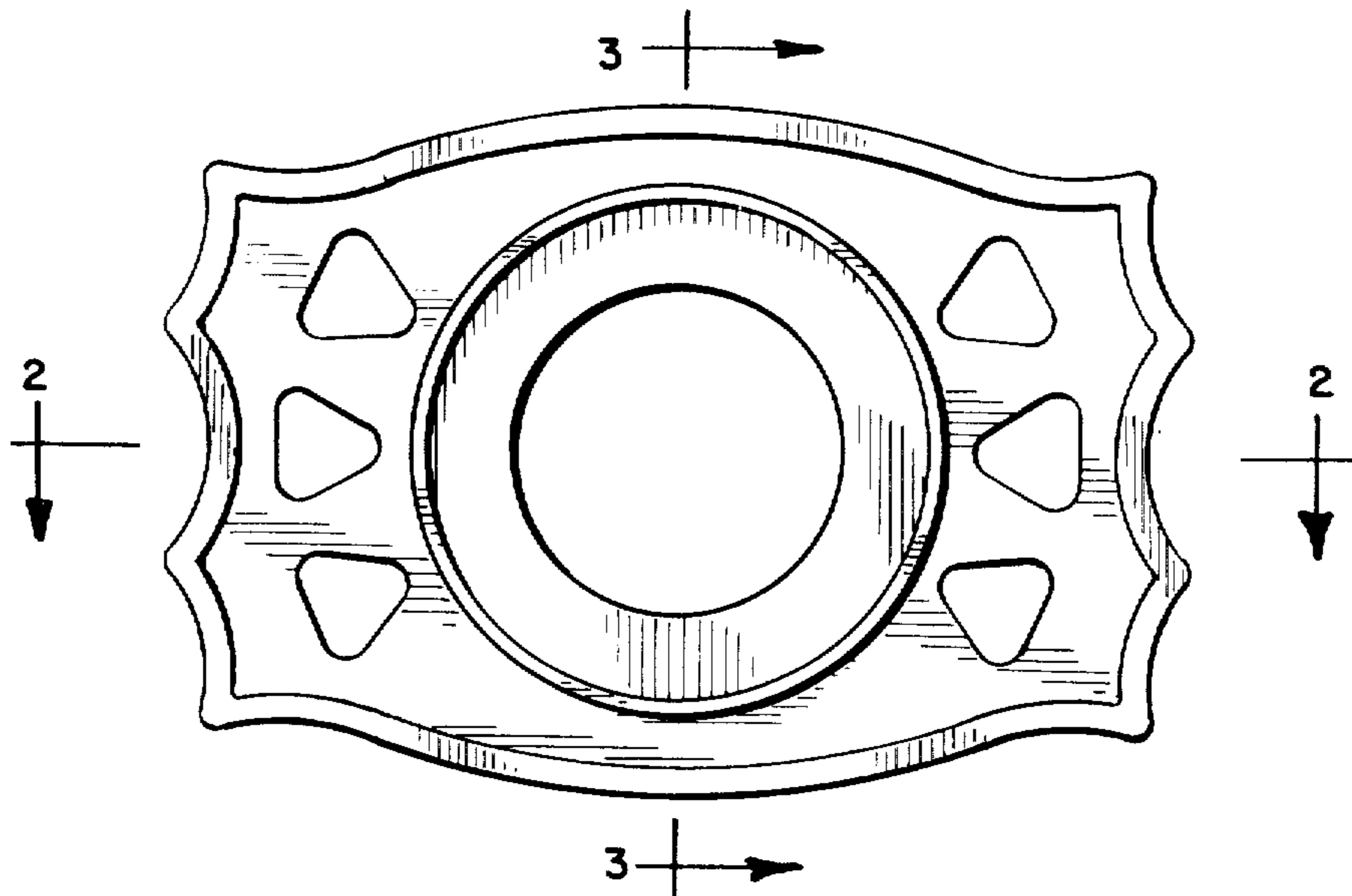
[52] U.S. Cl. D6/92; D6/93; D6/94

[58] Field of Search D6/86-104, D6/114, 115, 125; D7/70; 211/13, 60 R, 60 T, 87, 88; 248/309 R, 311.2, 312; 206/77.1

FIG. 1 is a top plan view of a bathroom accessory support for attachment to a frame;

FIG. 2 is a sectional view taken in the direction of the arrows on line 2—2 of FIG. 1; and

FIG. 3 is a sectional view taken in the direction of the arrows on line 3—3 of FIG. 1.



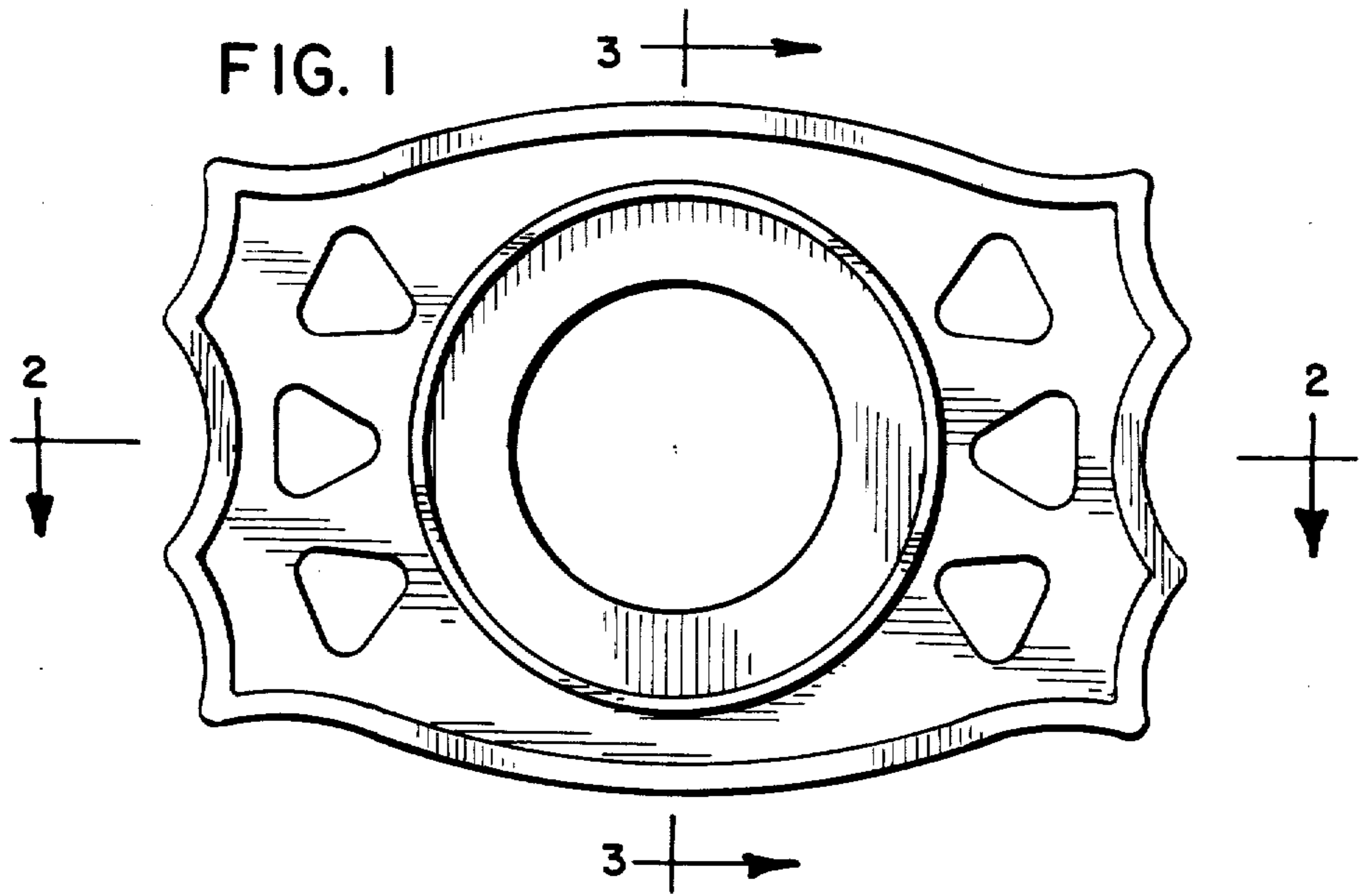


FIG. 2



FIG. 3

