

[54] STORAGE BOX OR THE LIKE

[75] Inventors: Robert H. C. M. Daenen, Hekelgem; Pieter K. J. De Coster, Aalst, both of Belgium

[73] Assignee: Dart Industries Inc., Los Angeles, Calif.

[**] Term: 14 Years

[21] Appl. No.: 66,898

[22] Filed: Aug. 16, 1979

[51] Int. Cl. D3-02

[52] U.S. Cl. D3/74; D7/76

[58] Field of Search D3/30, 39, 74, 76, 78; D99/49, 50; D9/341-347, 430, 432; D7/76; 220/4 R, 4 A, 20, 22, 23.83, 23.86

[56] References Cited

U.S. PATENT DOCUMENTS

D. 163,346	5/1951	Yates	D7/76
D. 246,560	12/1977	Beauchamps	D7/76
2,695,645	11/1954	Tupper	D7/76
2,787,891	4/1957	Hengehold	
2,944,694	7/1960	Kinsey	220/23.83
3,343,706	9/1967	Berend	D7/76
3,589,554	6/1971	Smith	D7/76

Primary Examiner—George P. Word

Attorney, Agent, or Firm—Leigh B. Taylor

[57] CLAIM

The ornamental design for a storage box or the like, substantially as is shown and described.

DESCRIPTION

FIG. 1 is a perspective view of a storage box or the like showing our new design;

FIG. 2 is an end elevational view thereof;

FIG. 3 is a side elevational view thereof;

FIG. 4 is a top plan view thereof;

FIG. 5 is a bottom plan view thereof;

FIG. 6 is an exploded perspective view thereof with the cover removed;

FIG. 7 is an exploded perspective view thereof with the interior components removed;

FIG. 8 is a perspective view of the storage box or the like with the cover omitted and the interior components in an alternate arrangement;

FIG. 9 is a side elevational view of one of such components;

FIG. 10 is another side elevational view thereof;

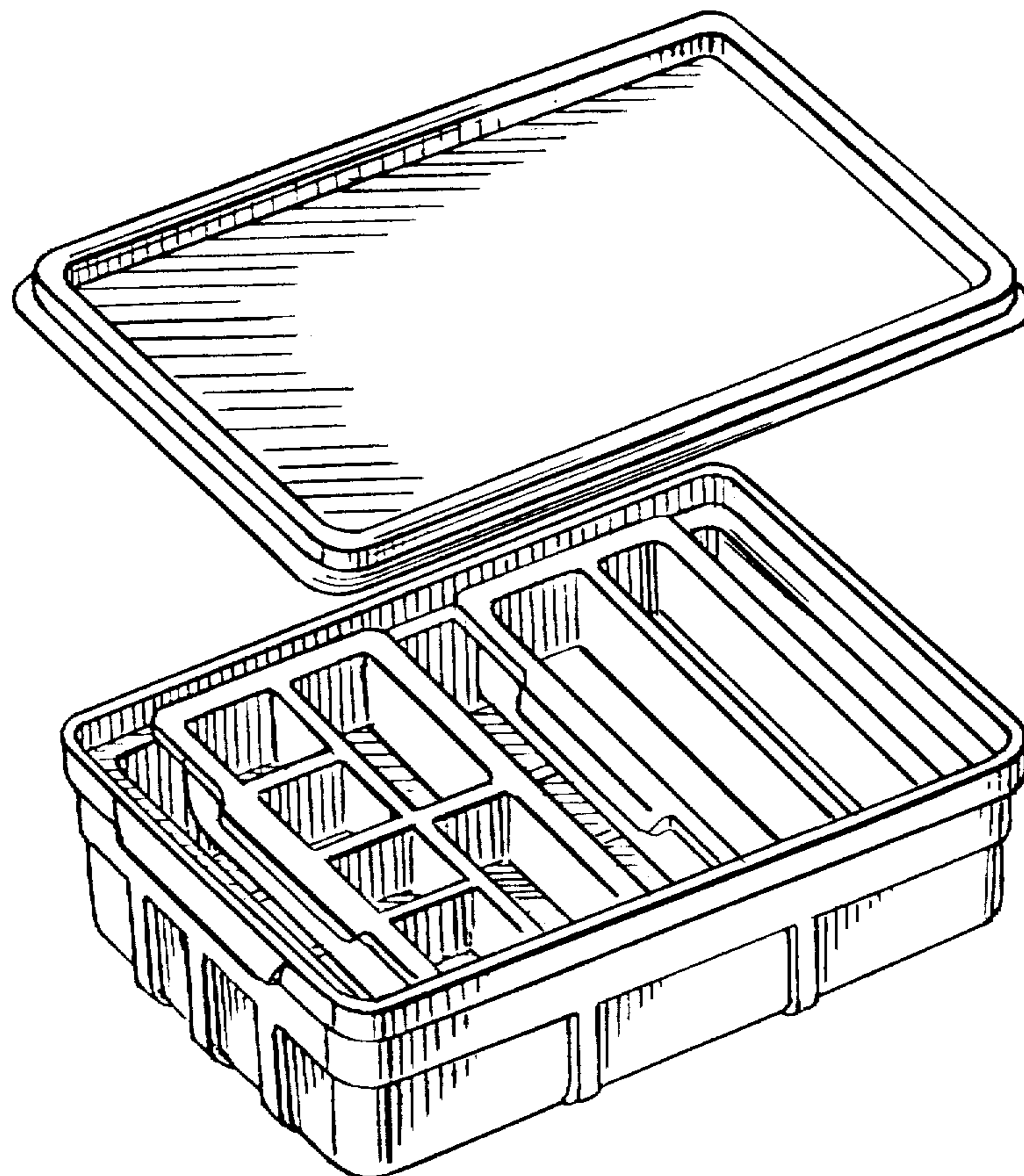
FIG. 11 is a bottom plan view thereof;

FIG. 12 is an end elevational view thereof;

FIG. 13 is a top plan view of the arrangement of FIG. 8;

FIG. 14 is a side elevational view thereof; and,

FIG. 15 is an end elevational view thereof.



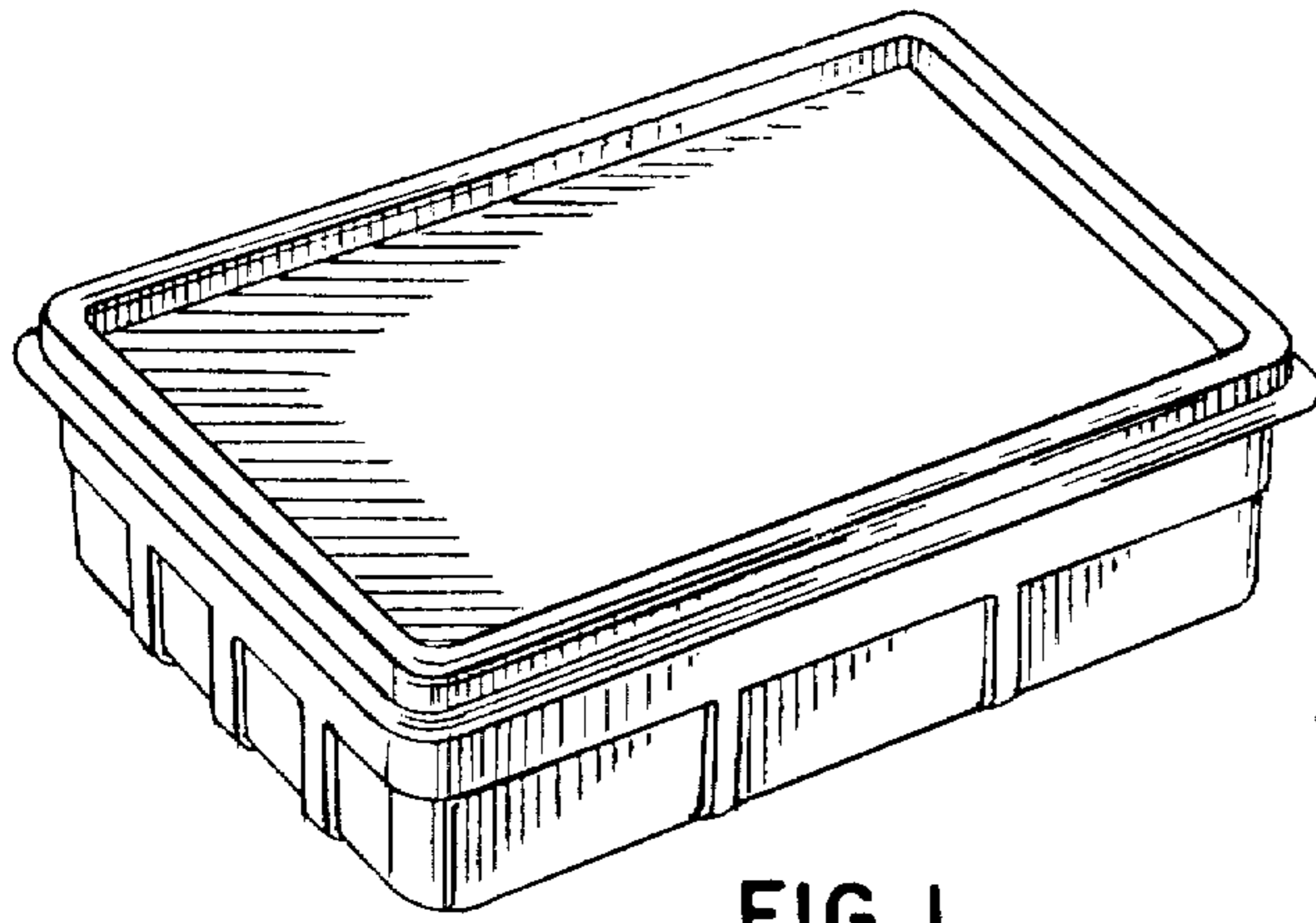


FIG. 1

FIG. 2

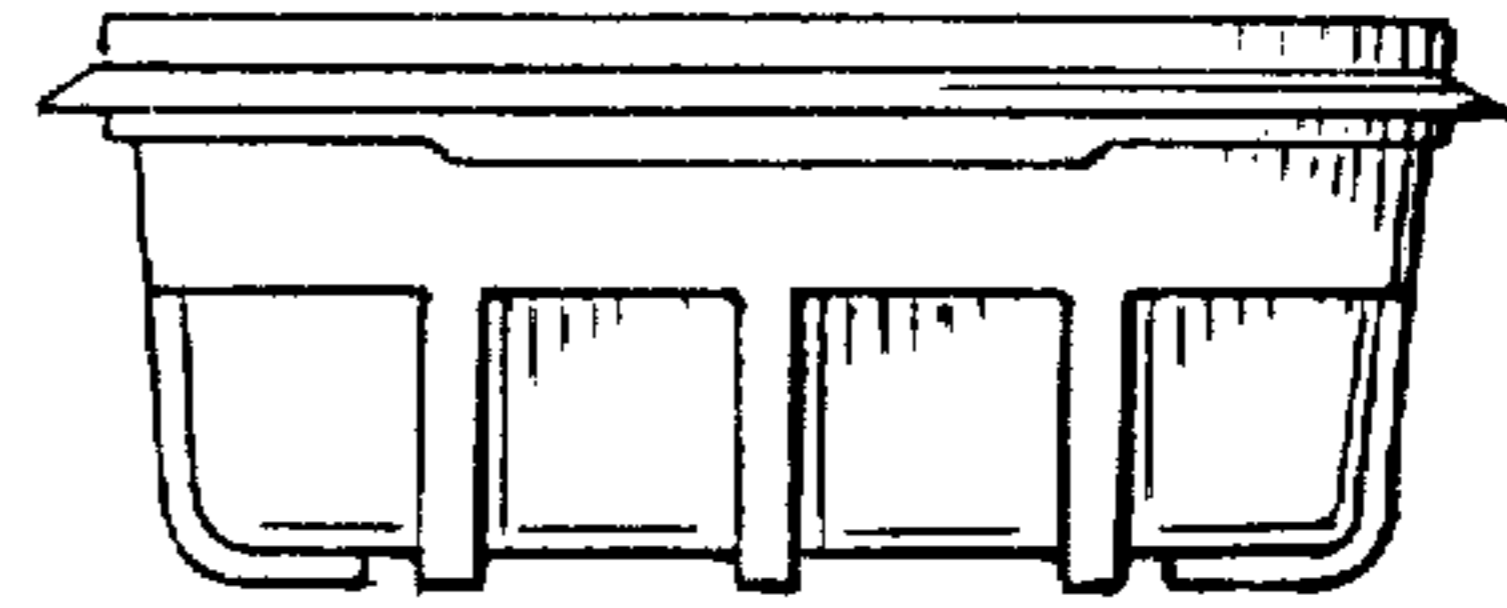


FIG. 3

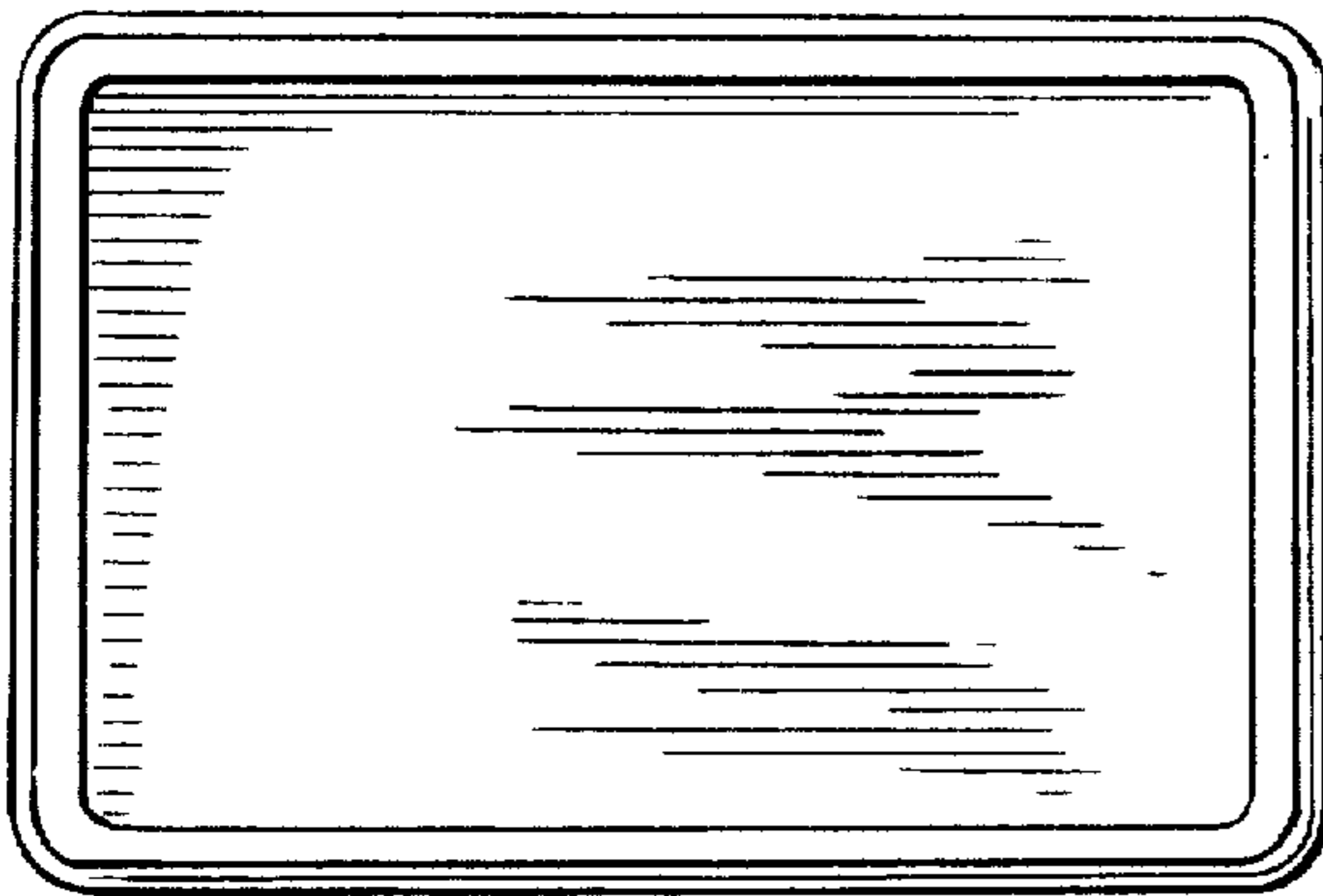
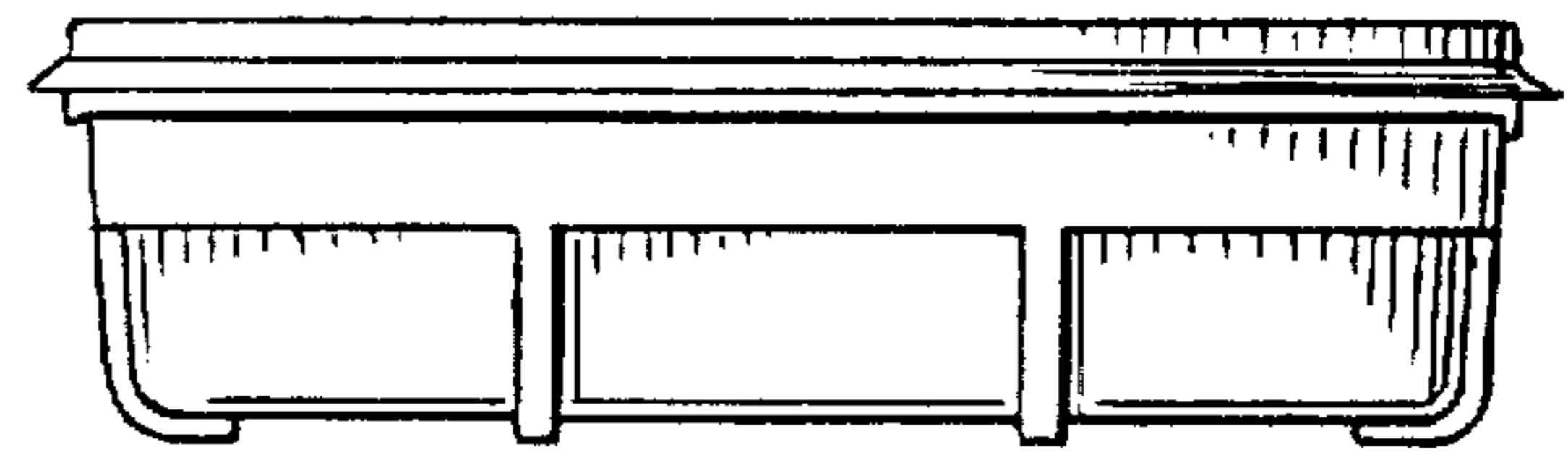


FIG. 4

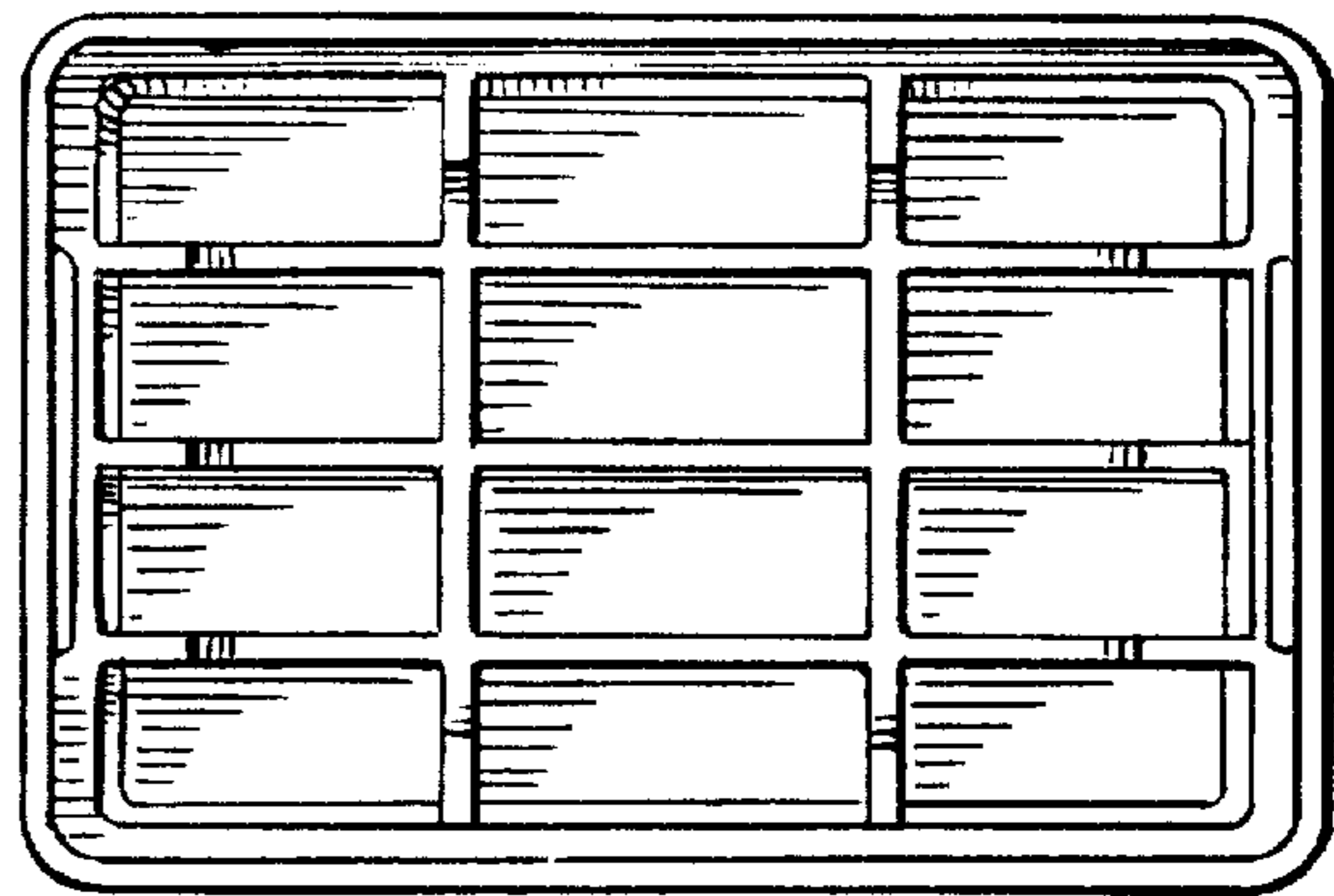


FIG. 5

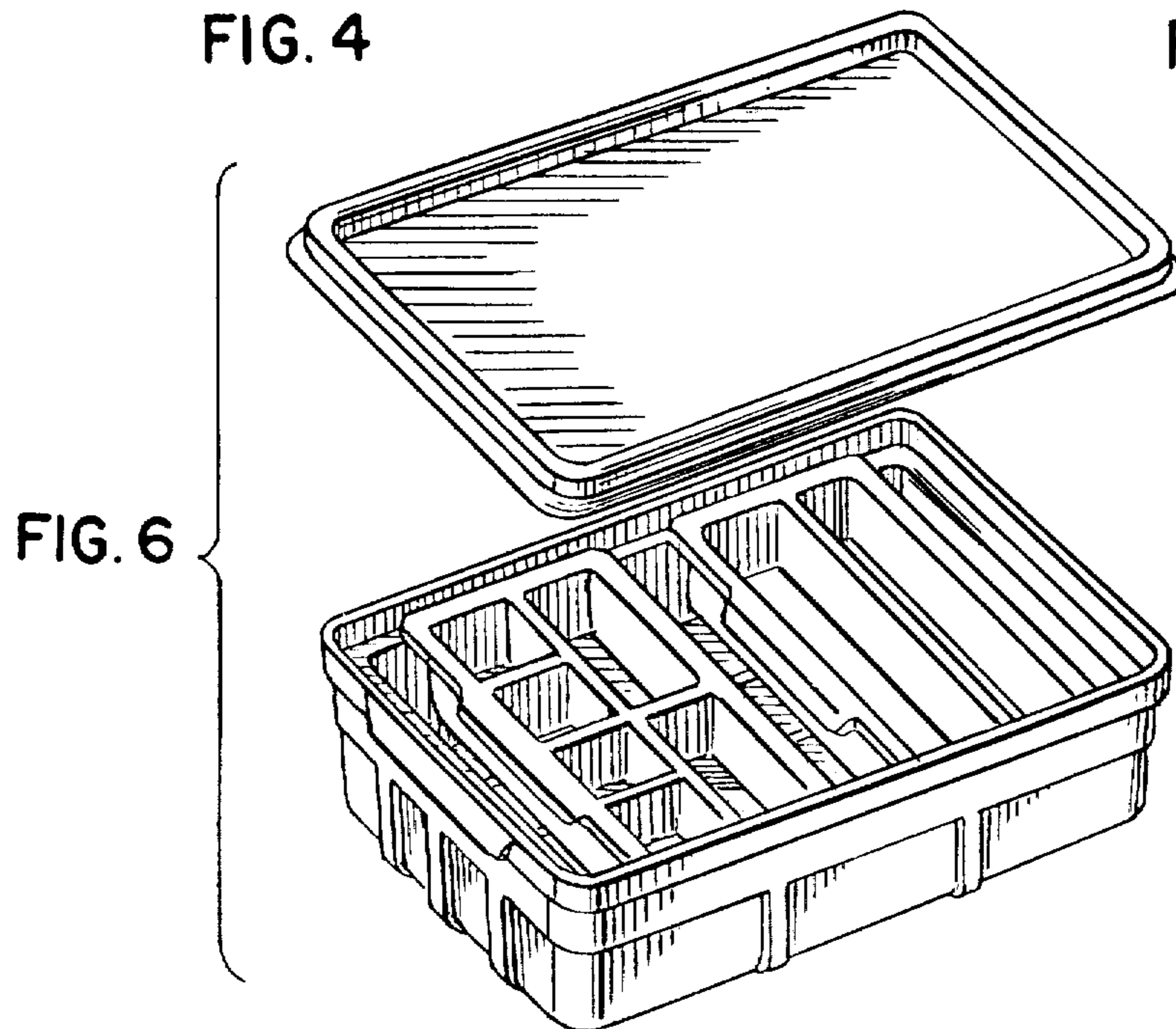


FIG. 6

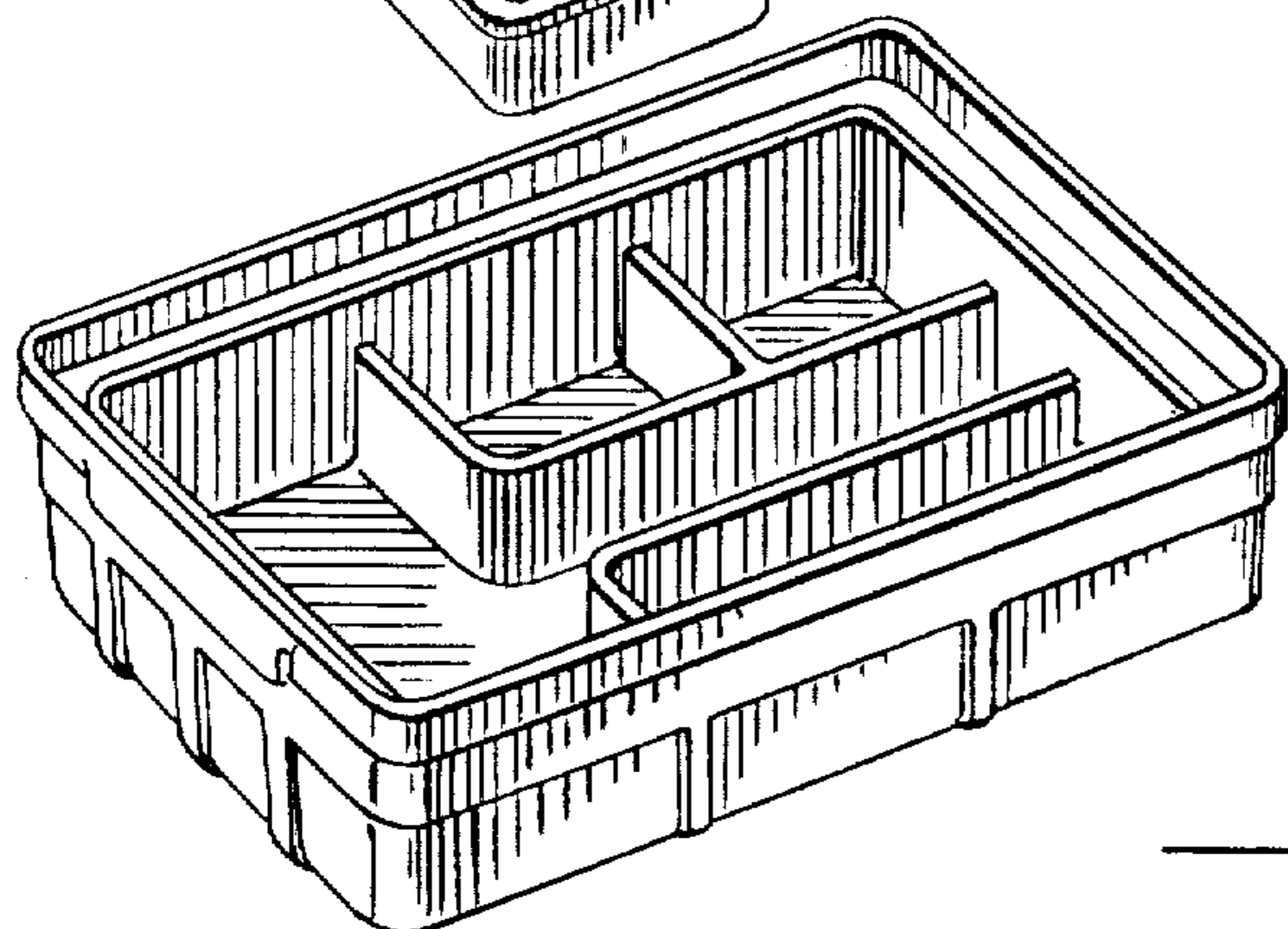
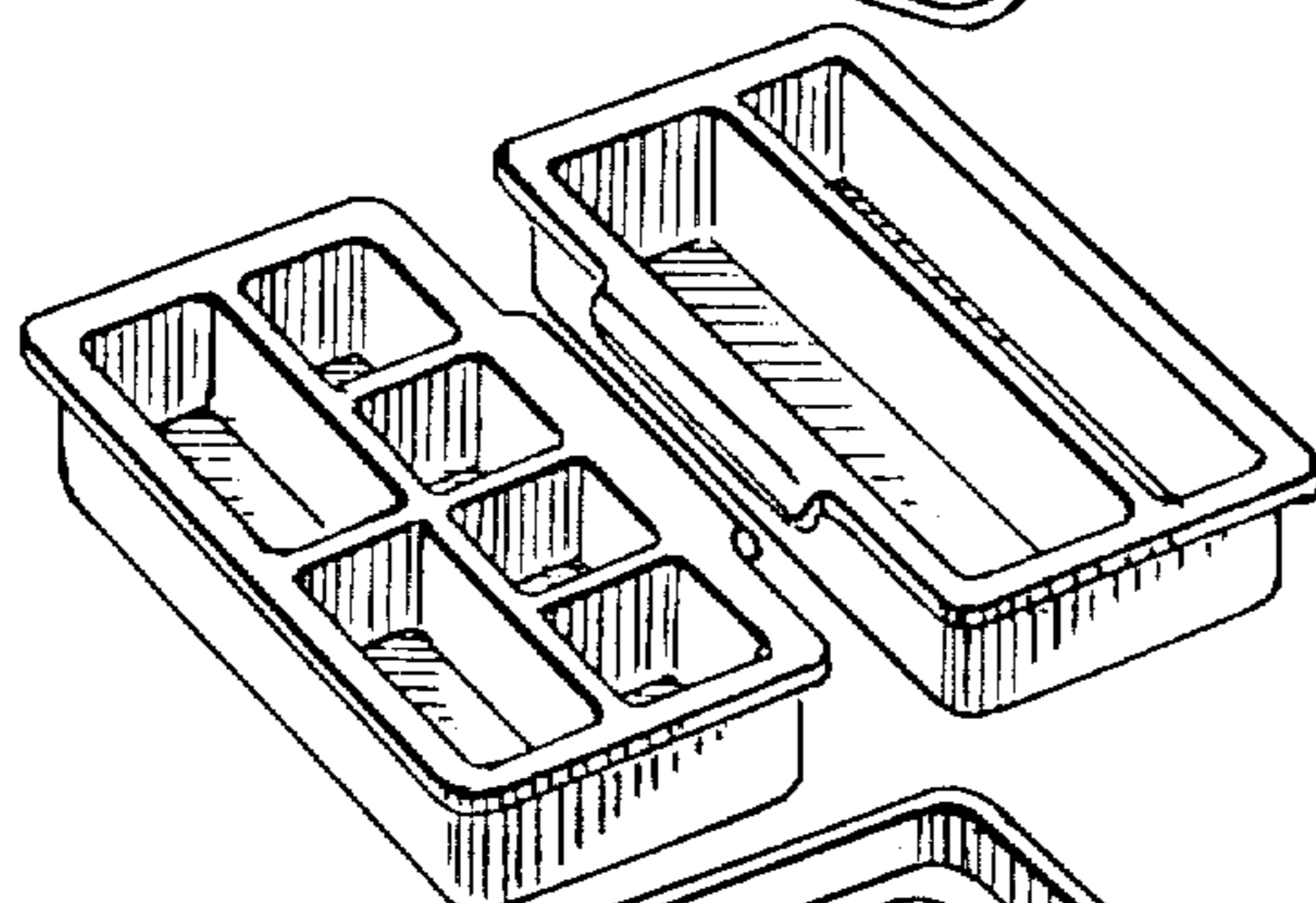
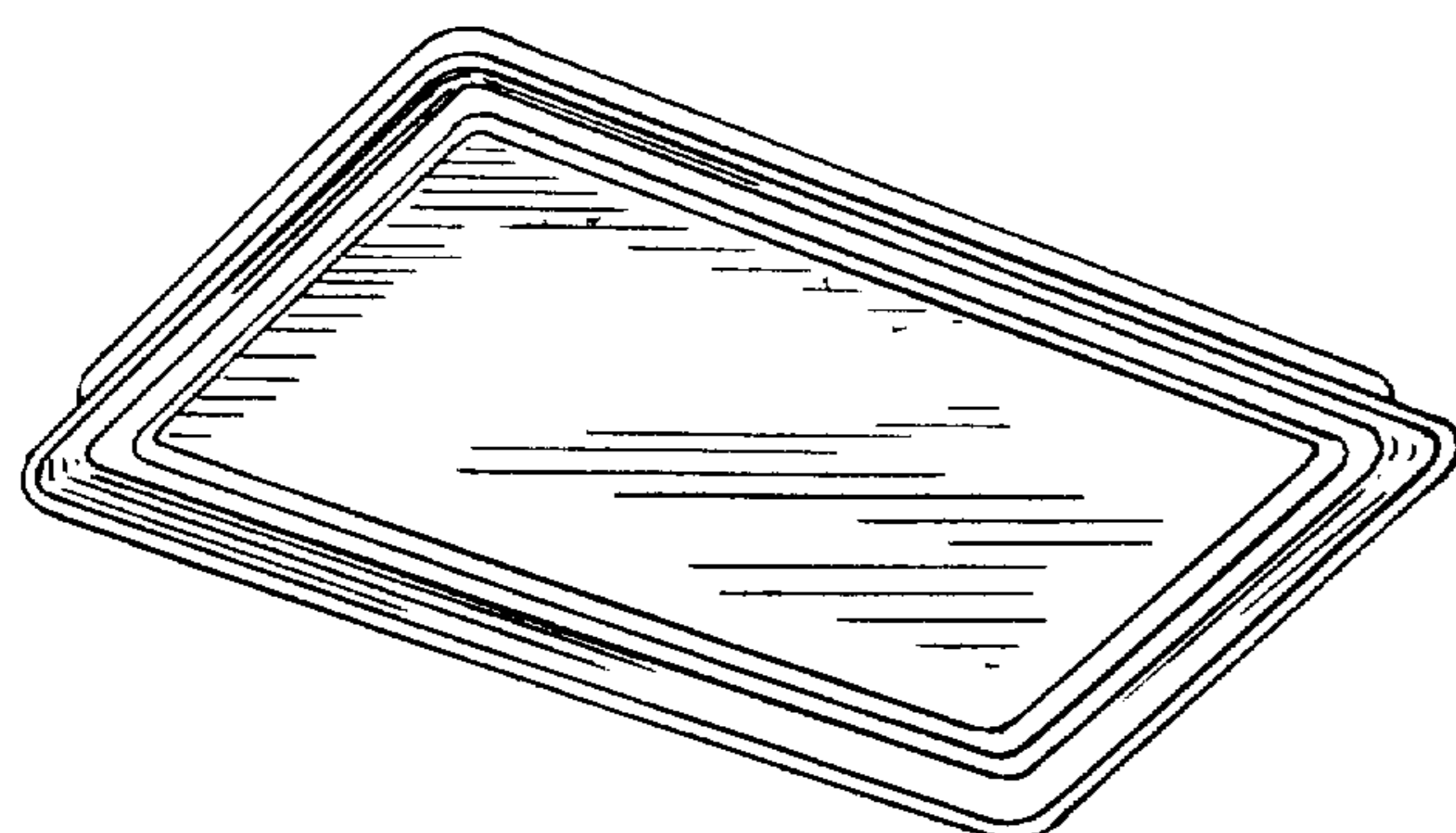


FIG. 7

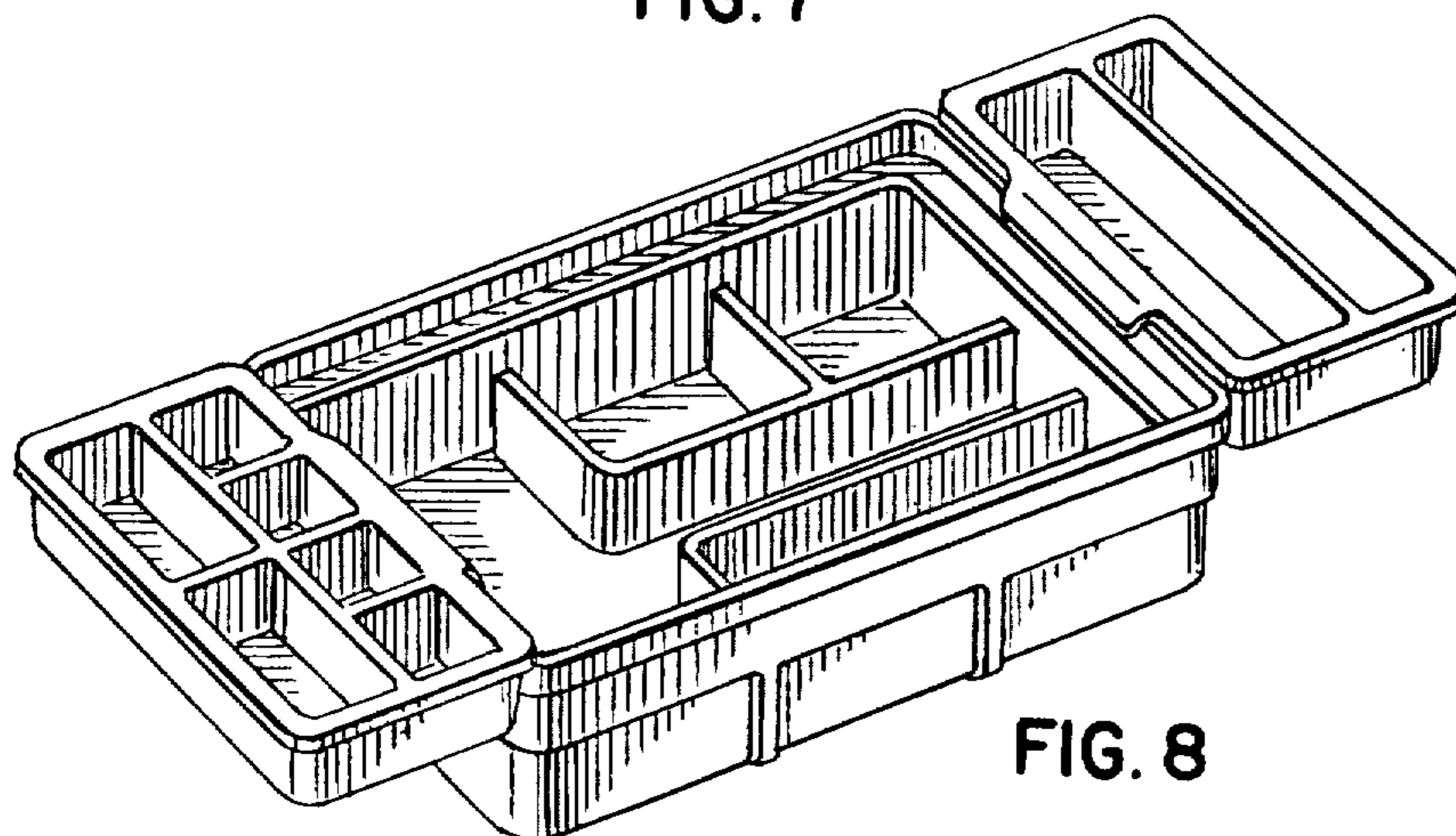


FIG. 8

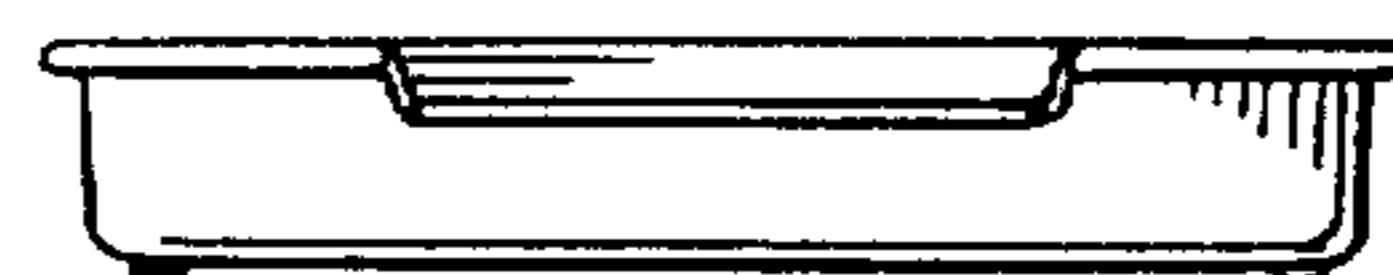


FIG. 9



FIG. 10

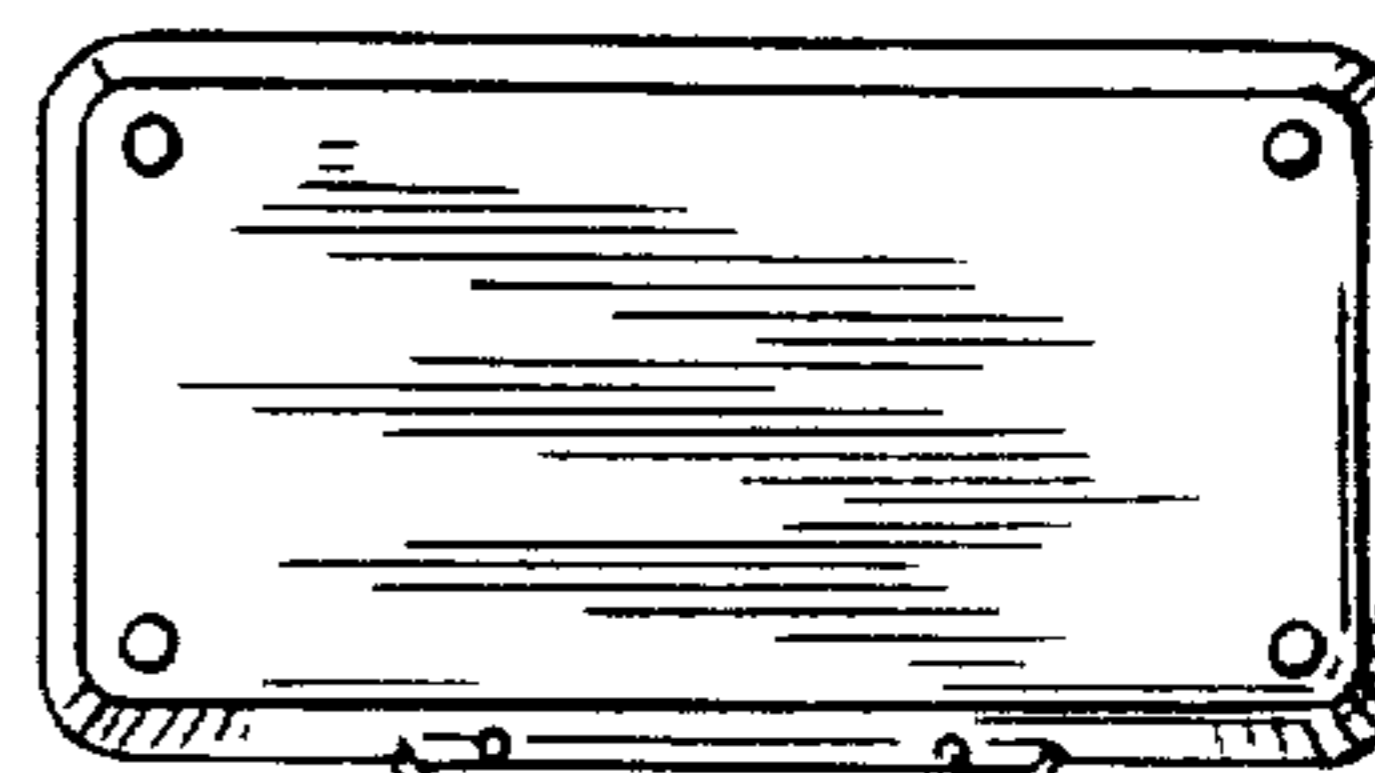


FIG. 11

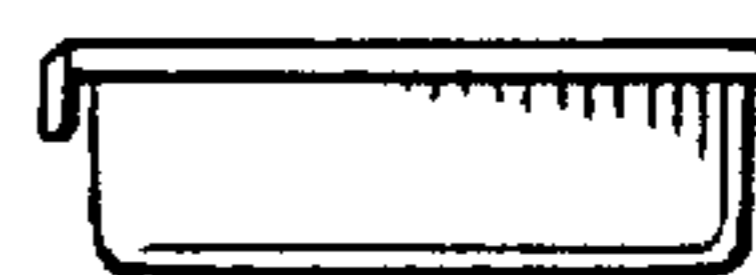


FIG. 12

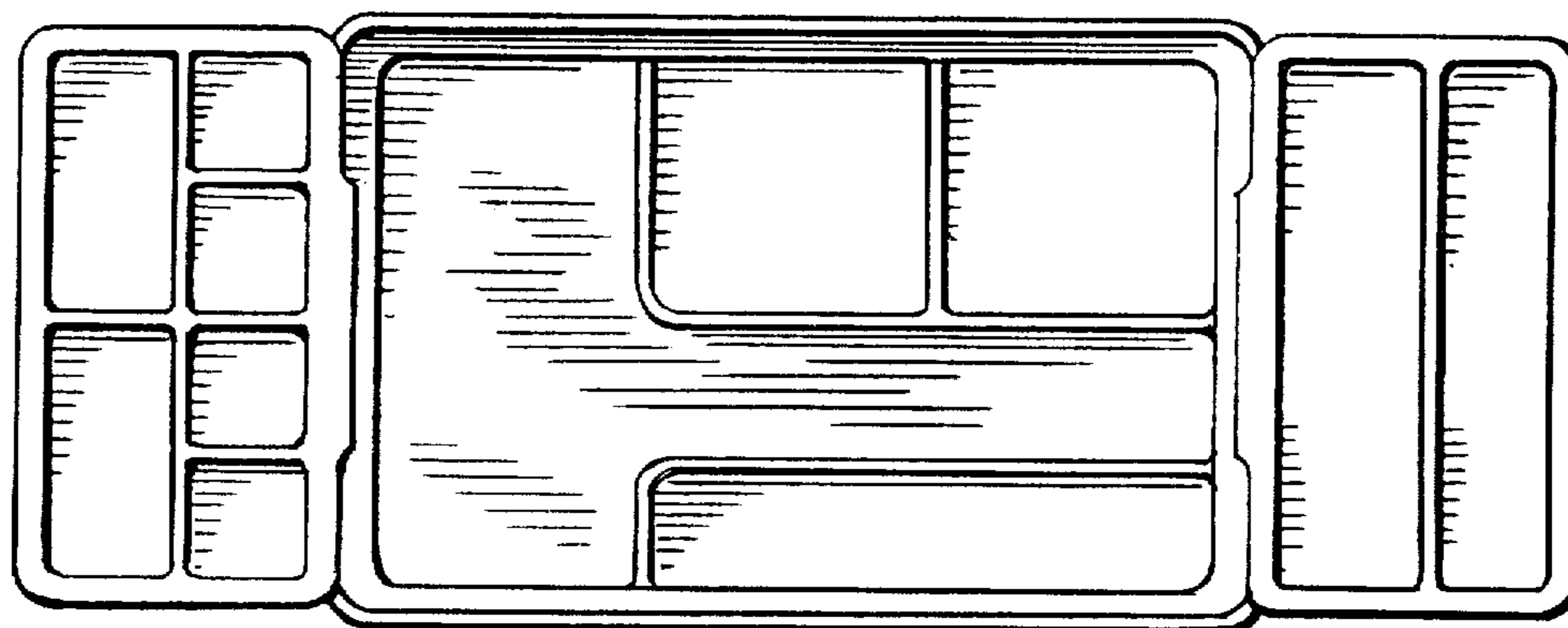


FIG. 13

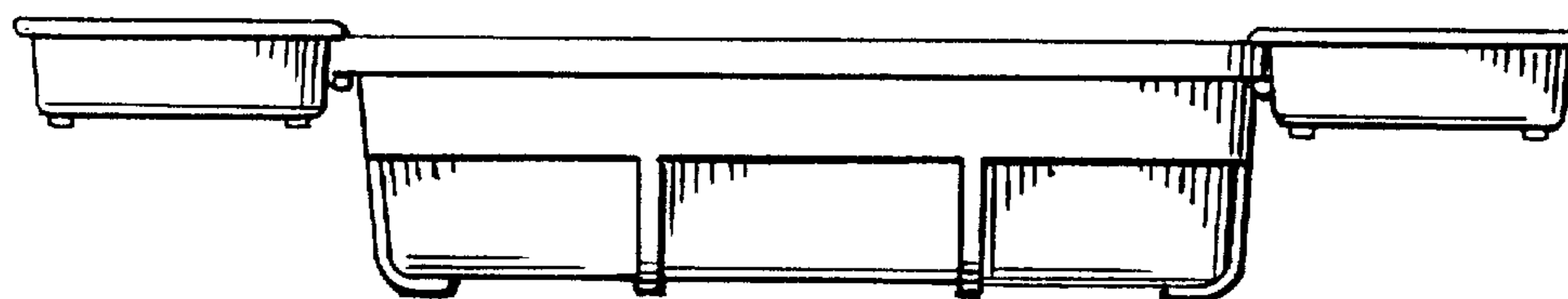


FIG. 14

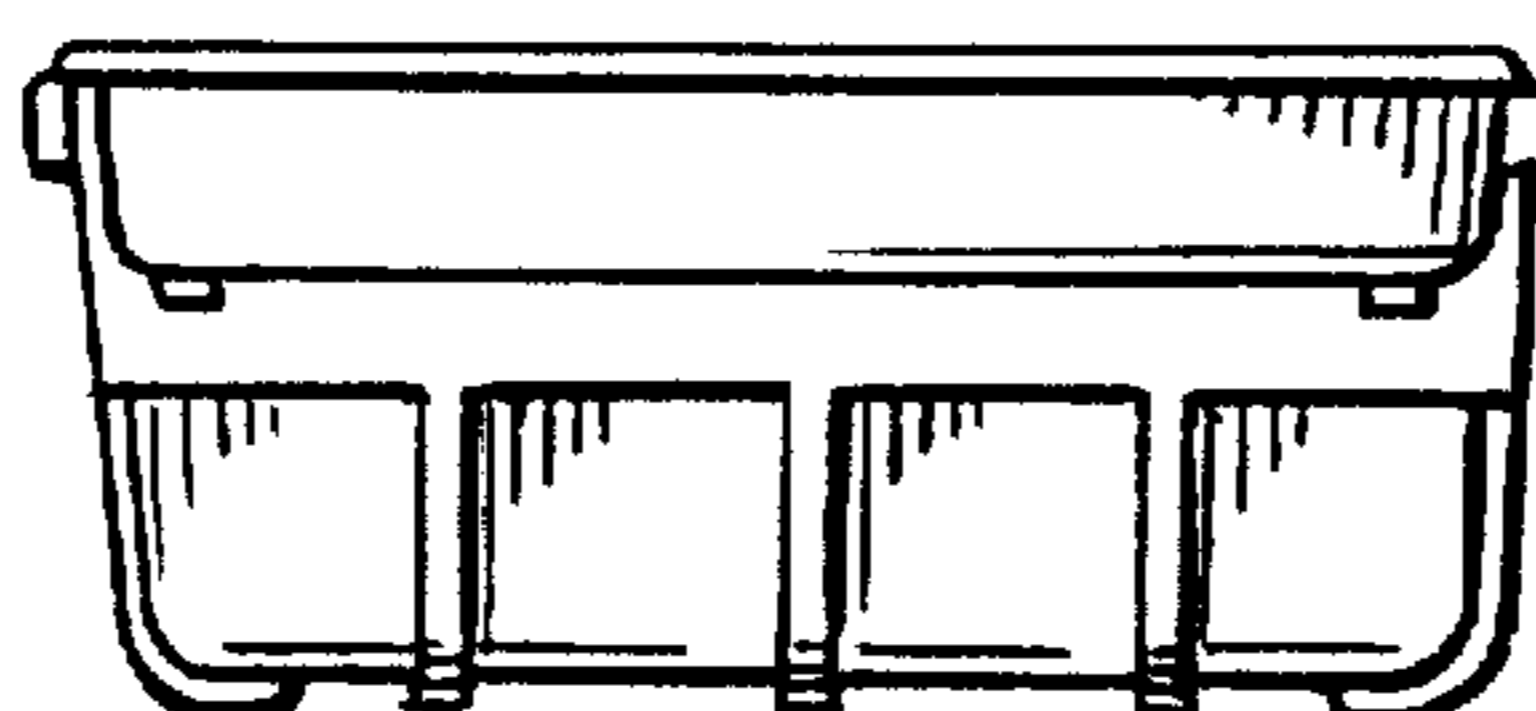


FIG. 15