

[54] SUPPORT RACK FOR A FLAT SADDLE OR THE LIKE

[76] Inventor: Jeffrey M. Perkins, 20122 Cape Cottage La., Huntington Beach, Calif. 92646

[**] Term: 14 Years

[21] Appl. No.: 117,854

[22] Filed: Feb. 4, 1980

[51] Int. Cl. D30-99

[52] U.S. Cl. D30/45

[58] Field of Search D30/44, 45; 211/87, 211/104, 13; 248/309 R

[56] References Cited

U.S. PATENT DOCUMENTS

D. 5,400	12/1871	Jackson	D30/45
D. 5,414	12/1871	Jackson	D30/45
D. 208,155	7/1967	Swanson	D30/45
D. 221,871	9/1971	Pearce	D30/45
2,740,532	4/1956	Kleinsmith	211/104

2,760,746	8/1956	Botolfsen	211/13 X
2,952,366	9/1960	Botten	211/104
2,953,252	9/1960	Koontz	211/13
3,233,745	2/1966	Hershberger	211/104
3,305,101	2/1967	Mills	211/13 X
3,688,912	9/1972	Wilmoth	211/87 X
3,780,971	12/1973	Filipps	D30/45 X

Primary Examiner—James R. Largen
Attorney, Agent, or Firm—G. Donald Weber, Jr.

[57] CLAIM

The ornamental design for a support rack for a flat saddle or the like, as shown and described.

DESCRIPTION

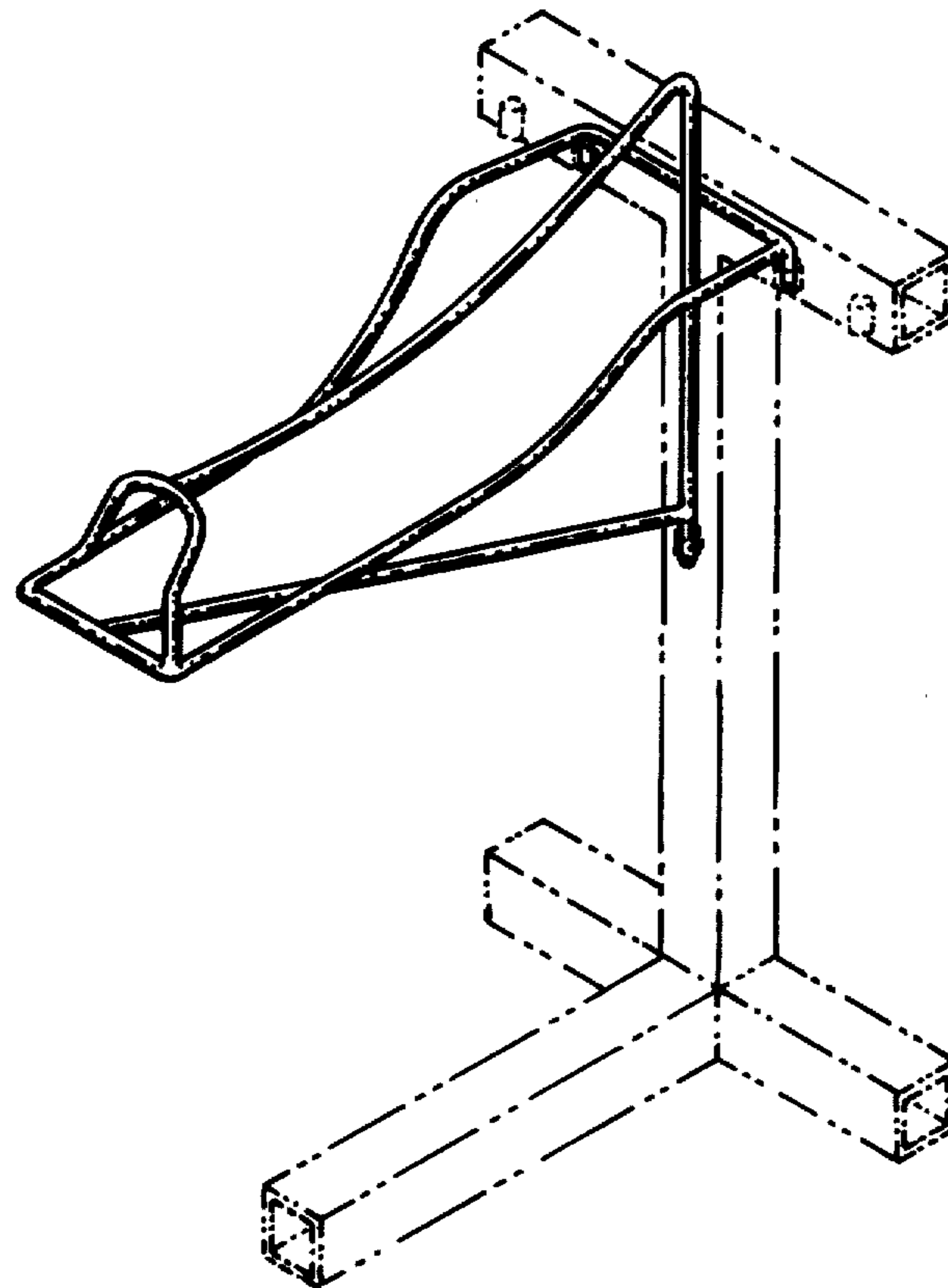
FIG. 1 is a perspective view taken from the top, front, and right side of the support rack for a flat saddle or the like showing my new design.

FIG. 2 is a top plan view thereof.

FIG. 3 is a left side elevational view thereof.

FIG. 4 is a front elevational view thereof.

The broken line representation of a support stand shown in FIG. 1 is for purposes of illustration and forms no part of the claimed design.



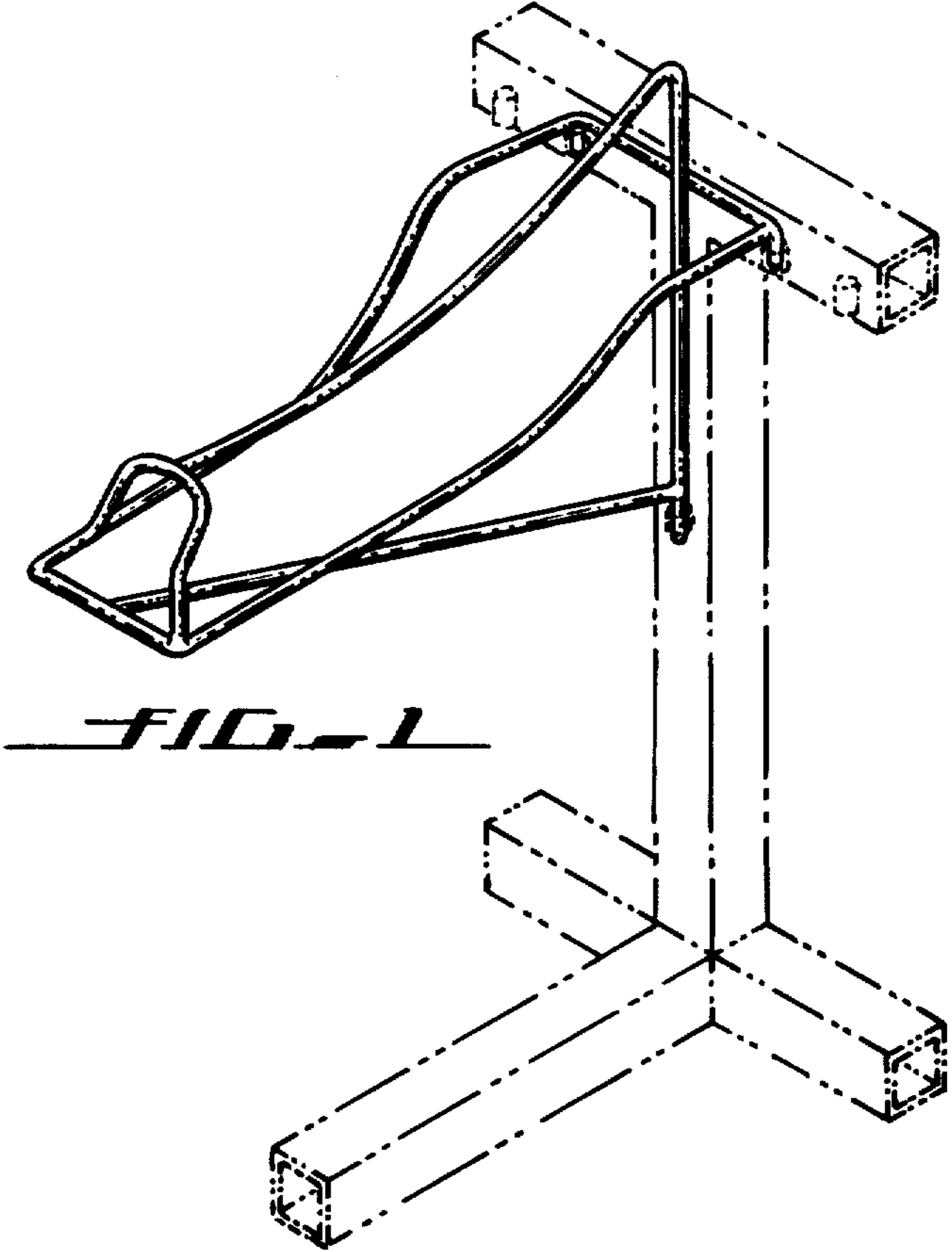


FIG. 1

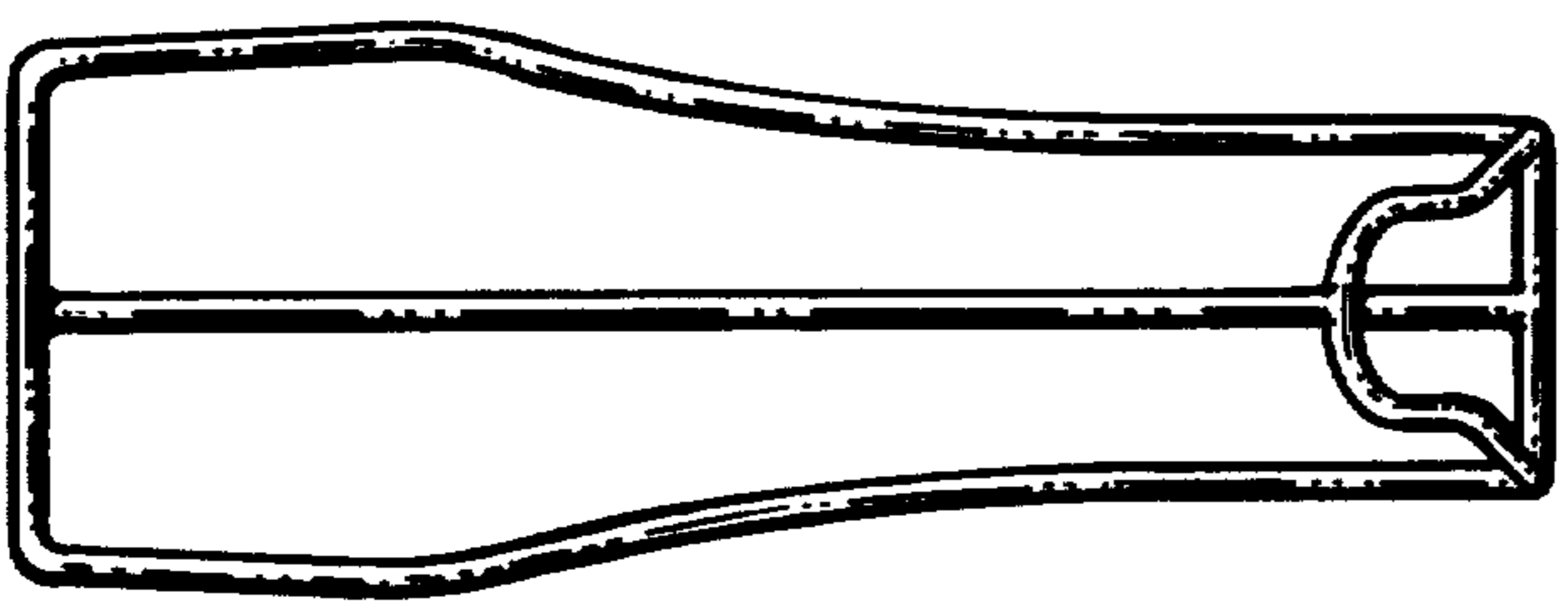


FIG. 2

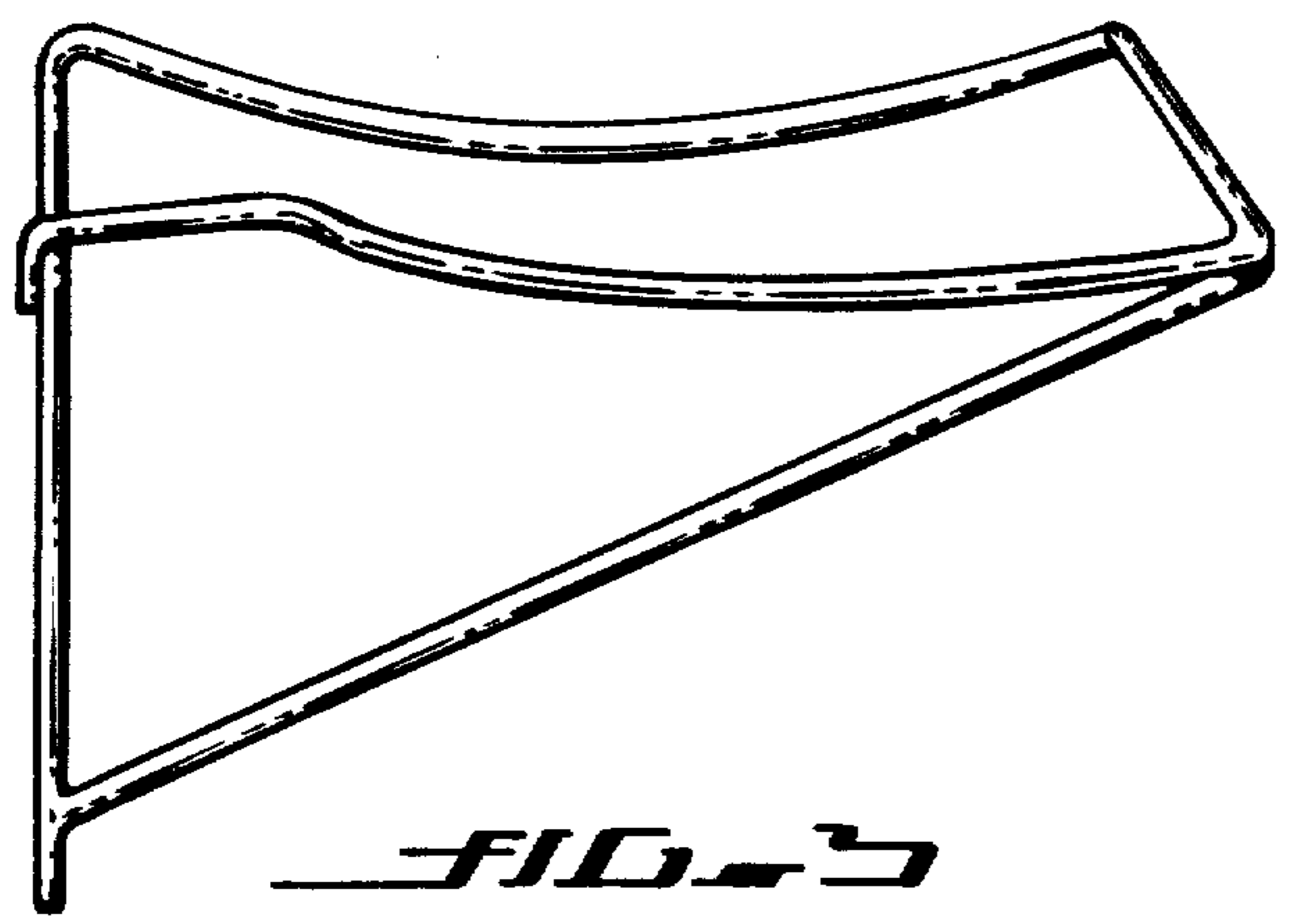


FIG. 3

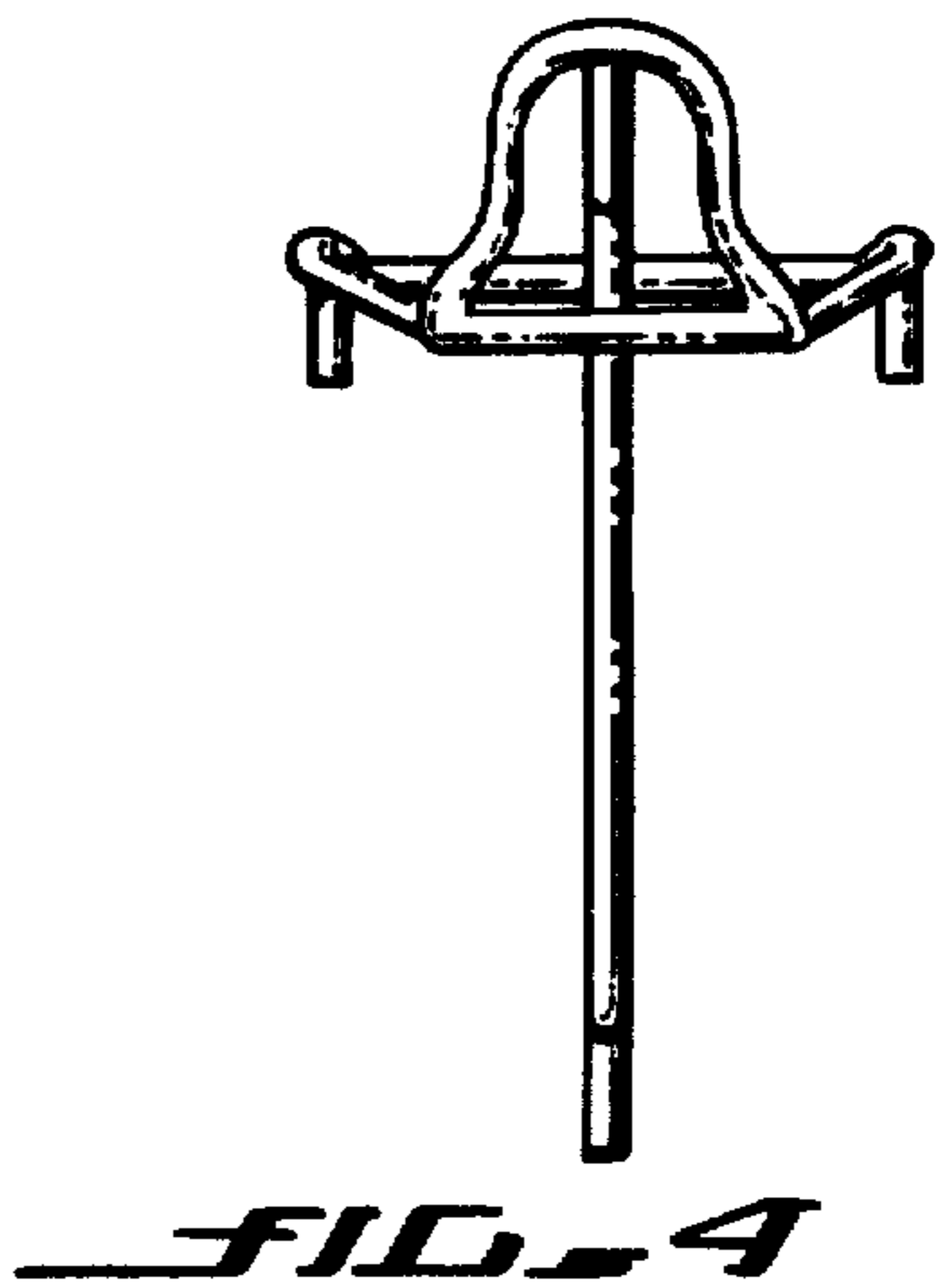


FIG. 4