

[54] TABLE LAMP

[76] Inventor: **John B. Erdell**, Apt. 34, 50
Morningside Dr., New York, N.Y.
10025

[**] Term: **14 Years**

[21] Appl. No.: **33,163**

[22] Filed: **Apr. 25, 1979**

[51] Int. Cl. **D26—05**

[52] U.S. Cl. **D26/93**

[58] Field of Search D26/93, 102, 103, 104,
D26/105, 106, 107, 108, 109, 110, 111, 112, 118;
362/410, 411, 412, 413, 414, 806

[56] **References Cited**

U.S. PATENT DOCUMENTS

- D. 84,921 8/1931 Bornstein D26/63
- D. 170,772 11/1953 Rosenthal D26/93
- D. 170,774 11/1953 Rosenthal D26/93
- D. 240,323 6/1976 Walker D26/107

FOREIGN PATENT DOCUMENTS

1431865 2/1966 France 362/413

OTHER PUBLICATIONS

Home Furnishings Dailey, 12-16-1970, p. 5-Neil Small
Acrylic Lamp.

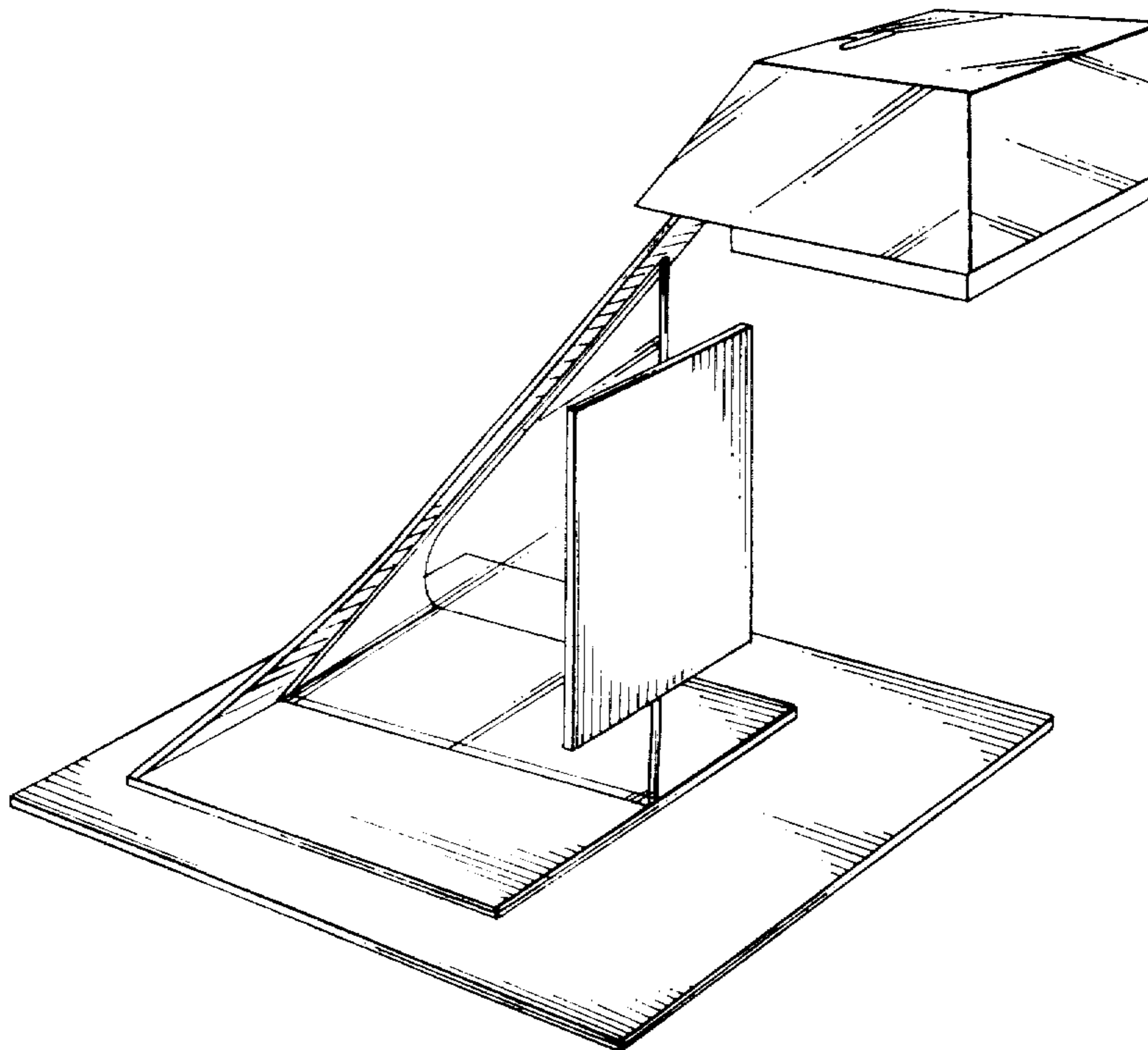
Primary Examiner—Susan J. Lucas
Attorney, Agent, or Firm—Stoll and Stoll

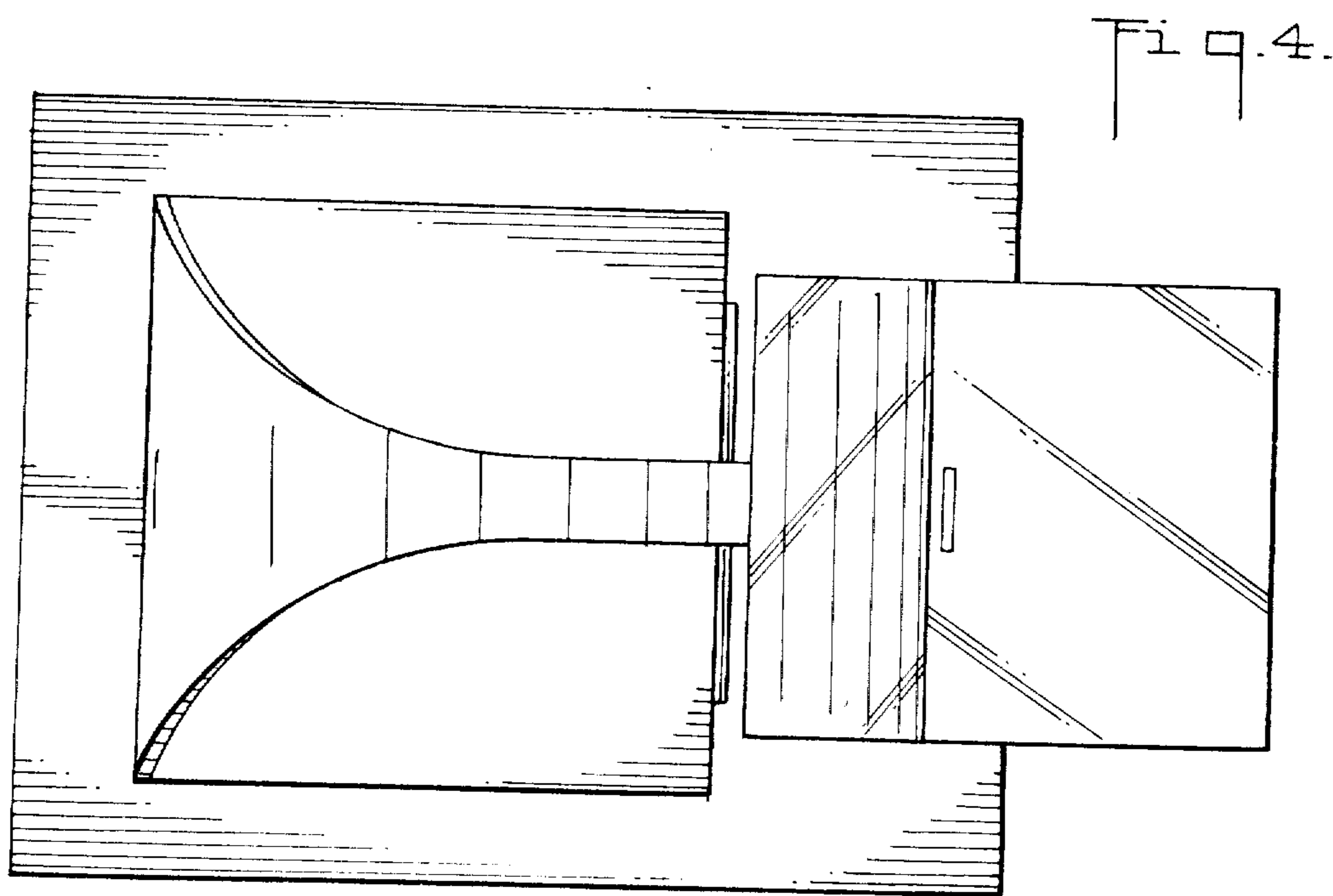
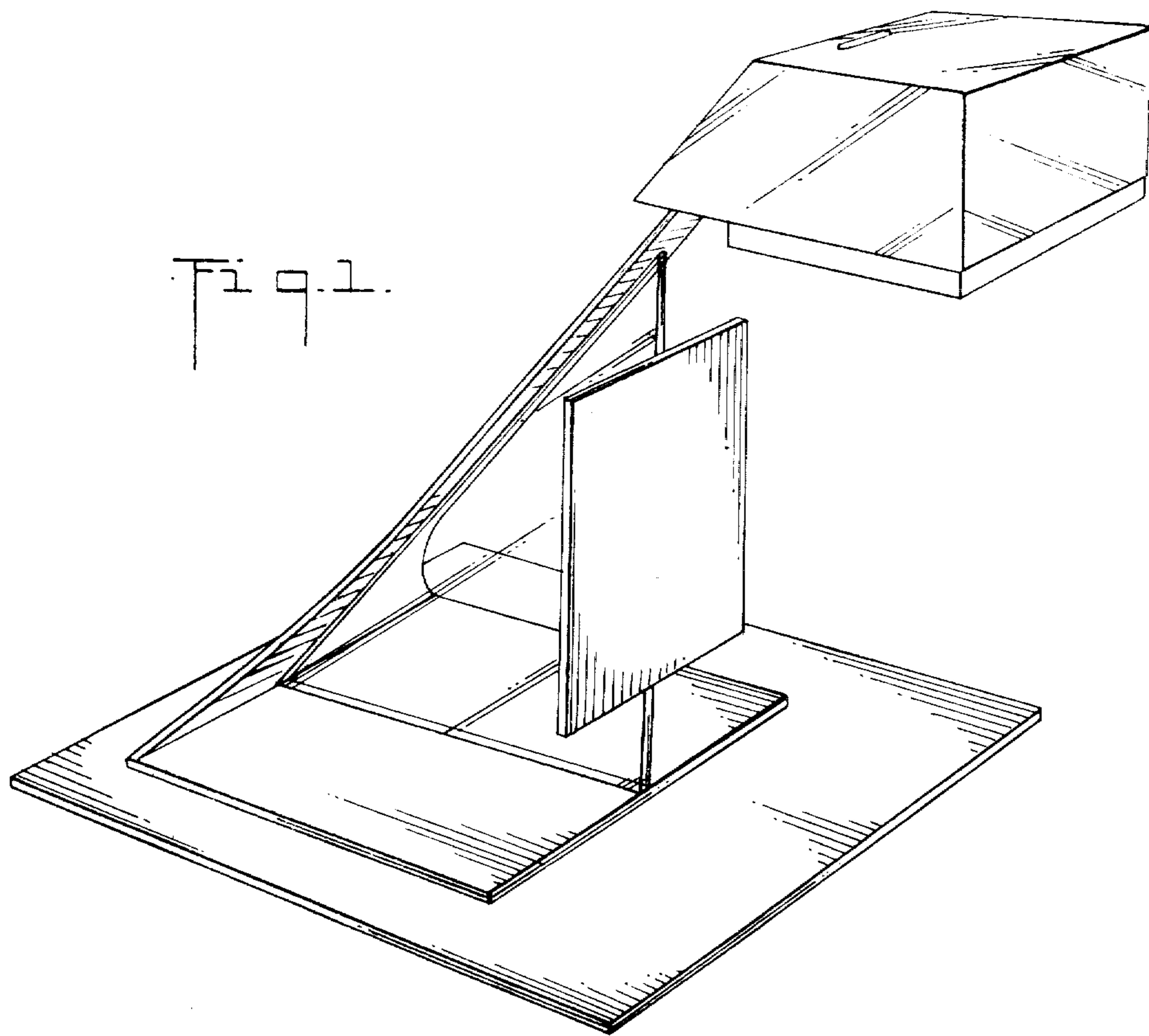
[57] **CLAIM**

The ornamental design for a table lamp, as shown and
described.

DESCRIPTION

FIG. 1 is a perspective view of a table lamp showing my
new design;
FIG. 2 is a side view thereof on an enlarged scale;
FIG. 3 is a rear view thereof on an enlarged scale;
FIG. 4 is a top view thereof on an enlarged scale;
FIG. 5 is a perspective view thereof with the removea-
ble head in the inverted position;
FIG. 6 is a perspective view of the removeable head on
an enlarged scale, the remainder of the lamp being omit-
ted for convenience of illustration.





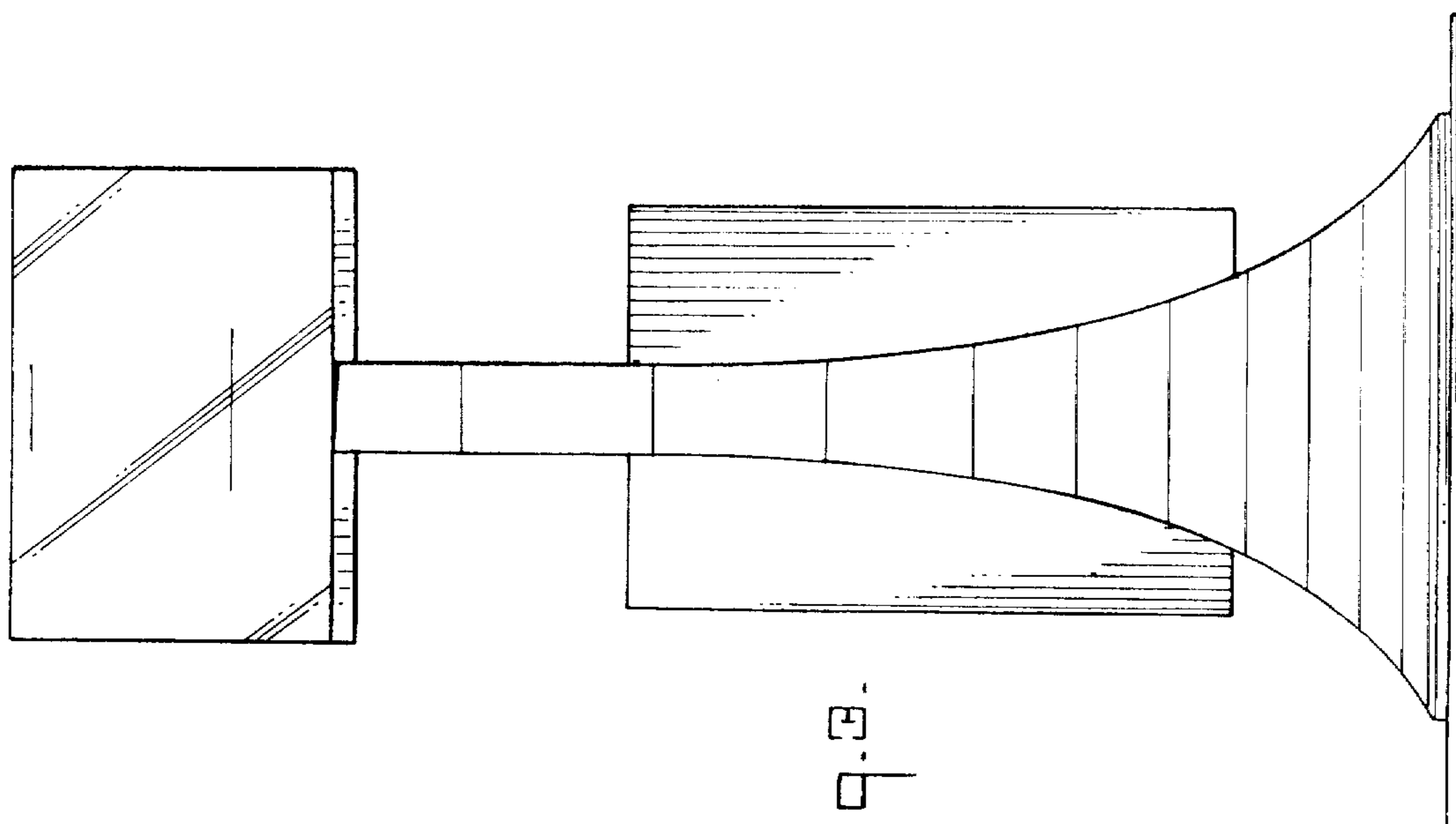


Fig. 9.

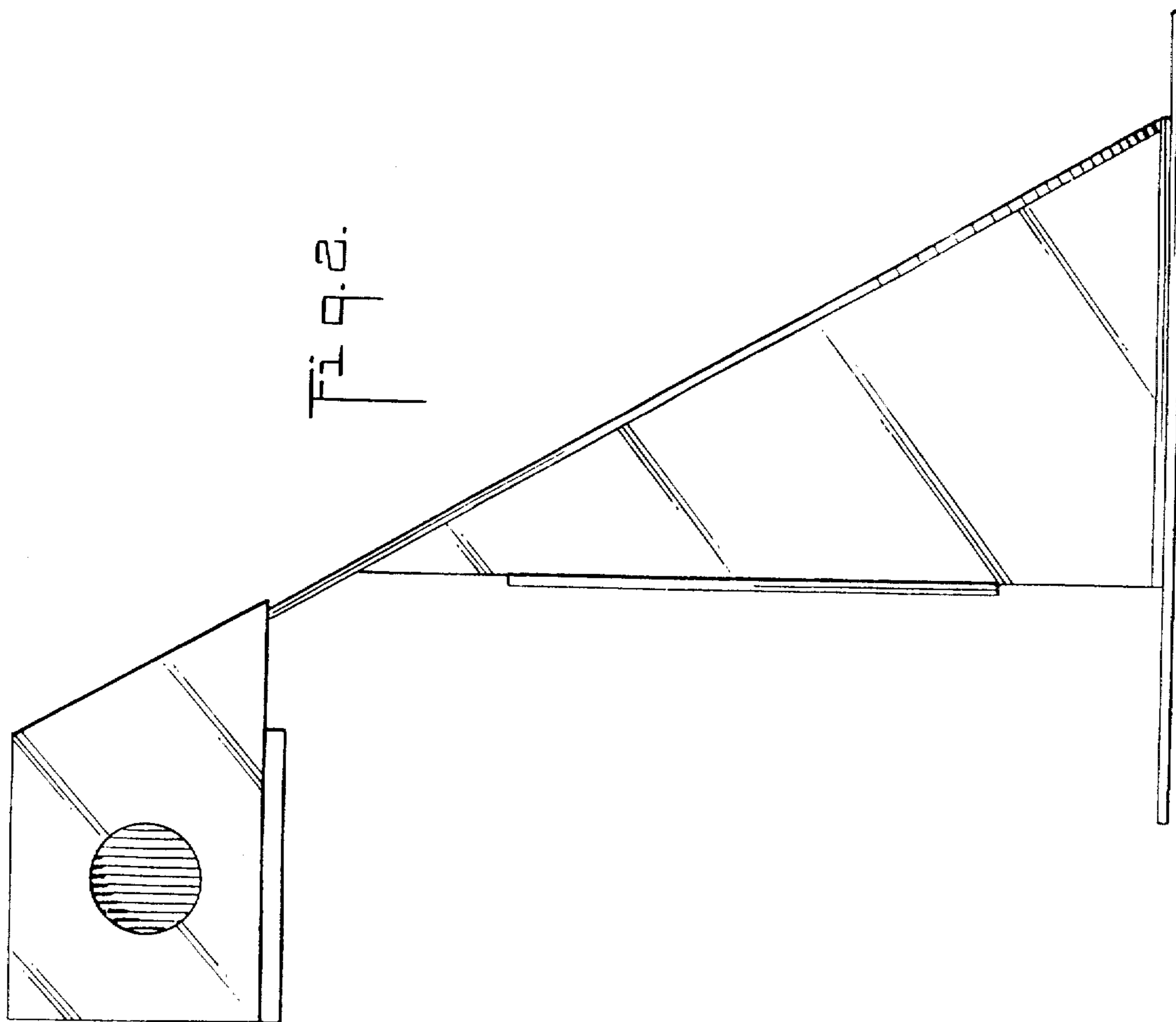


Fig. 8.

Fig. 5.

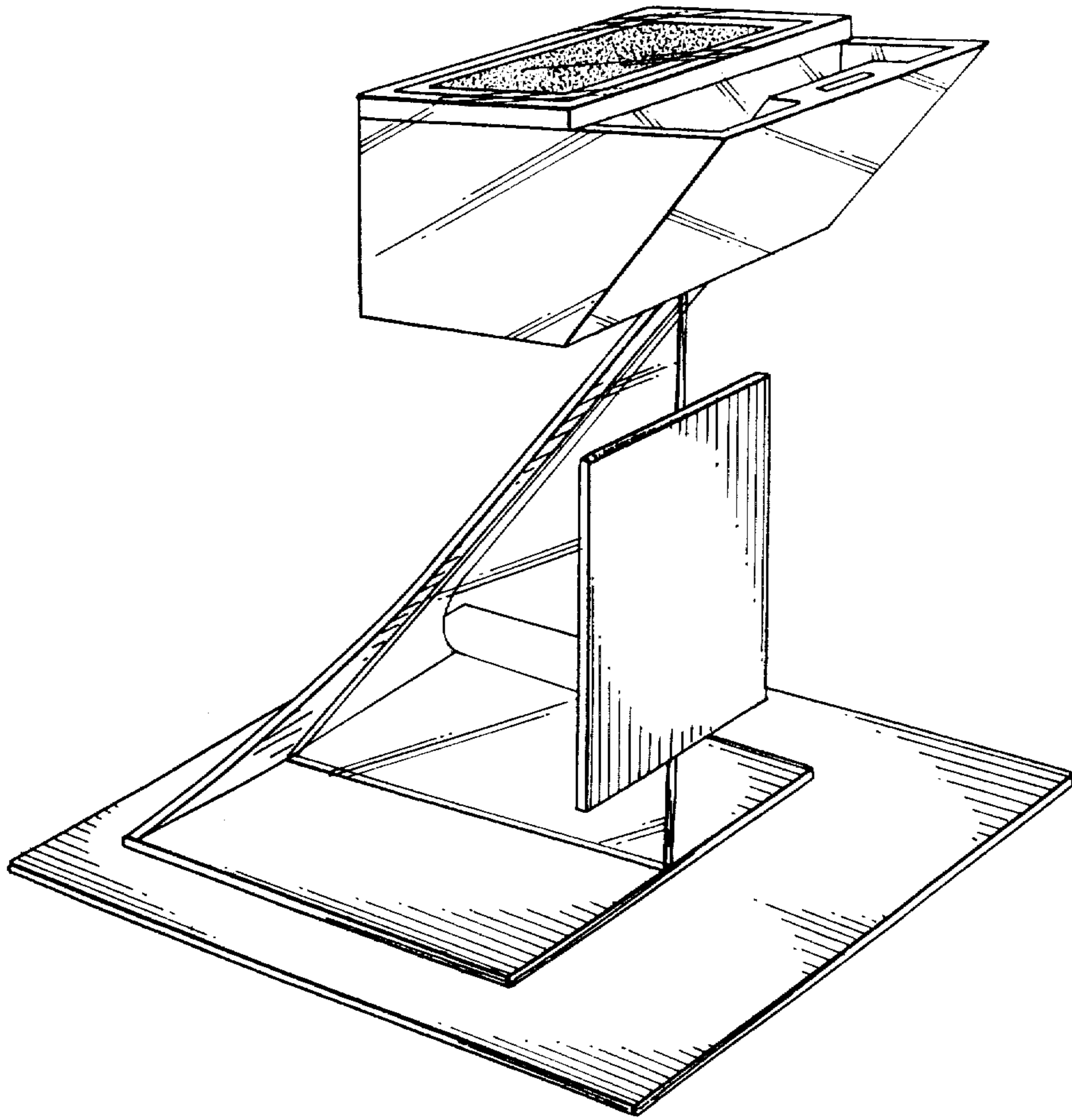


Fig. 6.

