

- [54] **SURGICAL TOOL**  
[75] Inventor: **Lawrence E. House, II**, Baltimore, Md.  
[73] Assignee: **Black & Decker Inc.**, Newark, Del.  
[\*\*] Term: **14 Years**  
[21] Appl. No.: **86,028**  
[22] Filed: **Oct. 17, 1979**  
[51] Int. Cl. .... **D24—02; D8—05**  
[52] U.S. Cl. .... **D24/28; D8/68; D8/61**  
[58] Field of Search ..... **D24/8, 28; D8/61, 68; 128/305, 317; 173/163; 310/2, 50**

[56] **References Cited**  
**U.S. PATENT DOCUMENTS**

- D. 131,658 3/1942 Decker ..... D8/61  
D. 230,654 3/1974 Fishbein ..... D24/28  
D. 243,652 3/1977 Zurwelle et al. .... D8/68  
D. 245,789 9/1977 Shea et al ..... D24/28

D. 258,237 2/1981 Anspach ..... D24/28

*Primary Examiner*—Bernard Ansher  
*Attorney, Agent, or Firm*—Harold Weinstein; Edward D. Murphy; Walter Ottesen

[57] **CLAIM**

The ornamental design for a surgical tool, as shown.

**DESCRIPTION**

FIG. 1 is a side elevational view of a surgical tool with the front thereof facing leftwardly; showing my new design;

FIG. 2 is a front elevational view of the device shown in FIG. 1;

FIG. 3 is a top plan view of the device shown in FIG. 1;

FIG. 4 is a rear elevational view of the device shown in FIG. 1;

FIG. 5 is a side elevational view of a surgical tool with the front thereof facing rightwardly; and

FIG. 6 is a bottom plan view of the device shown in FIG. 1.

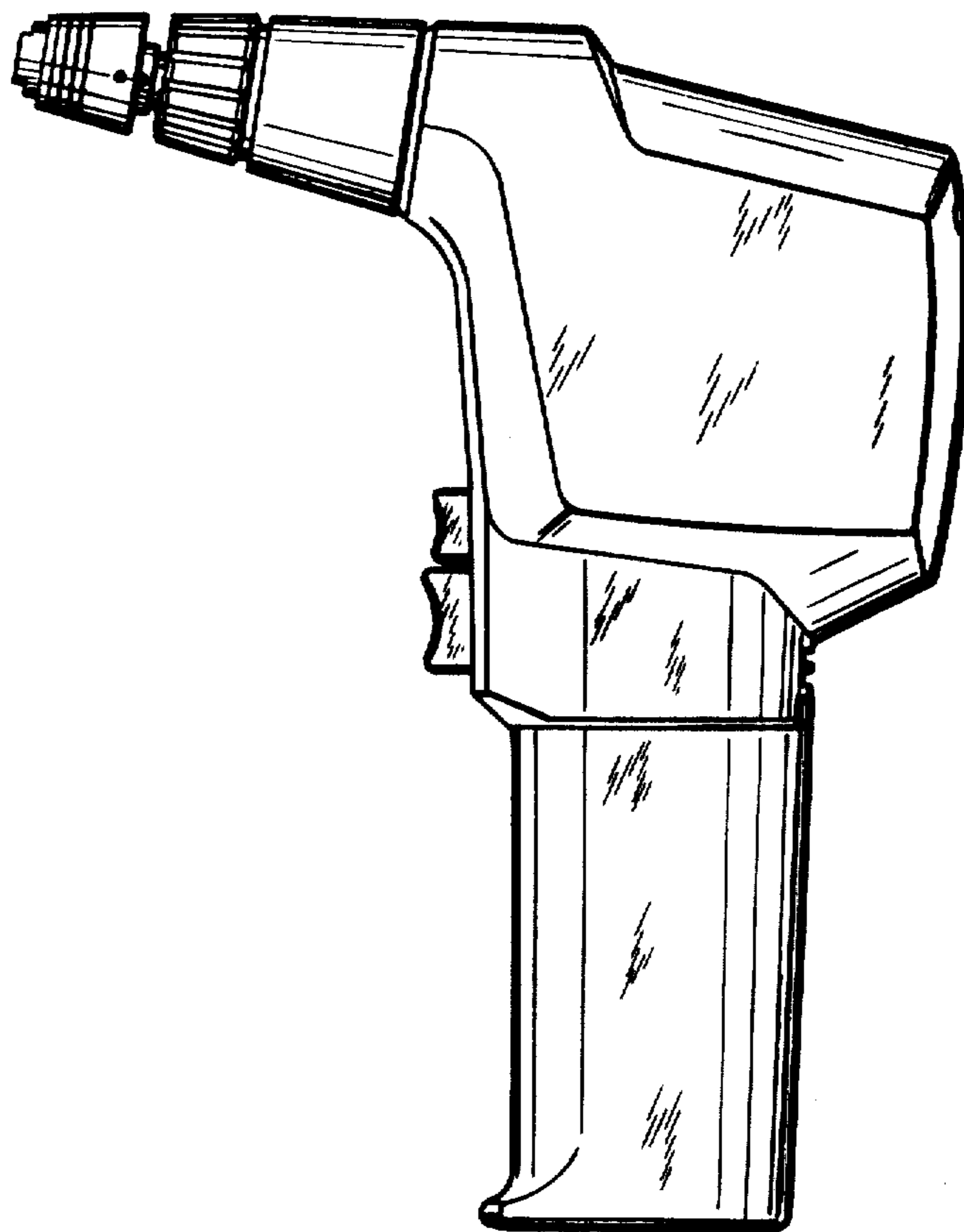


FIG. 3

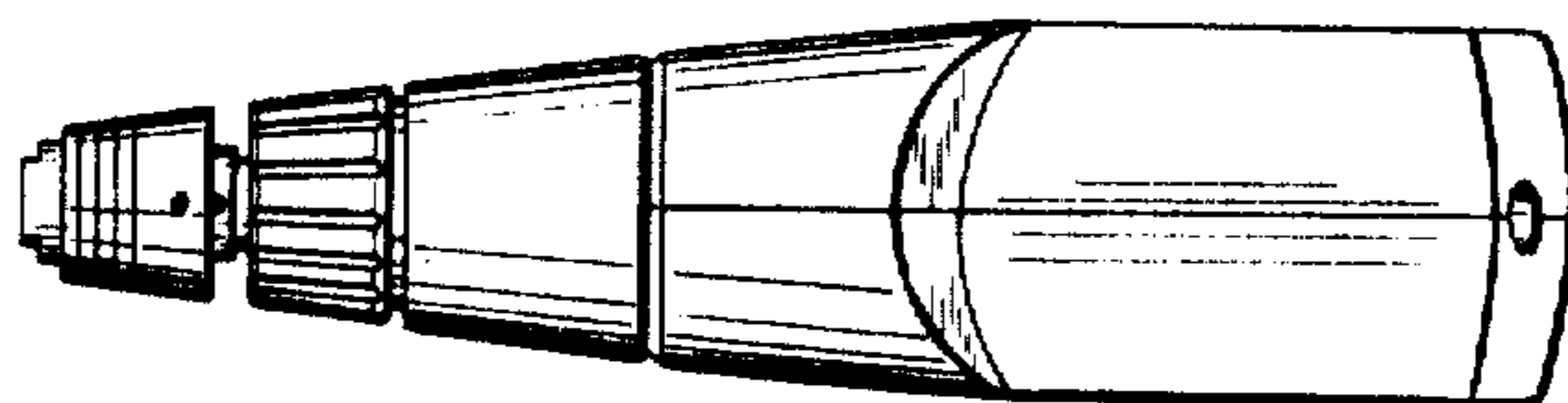


FIG. 2

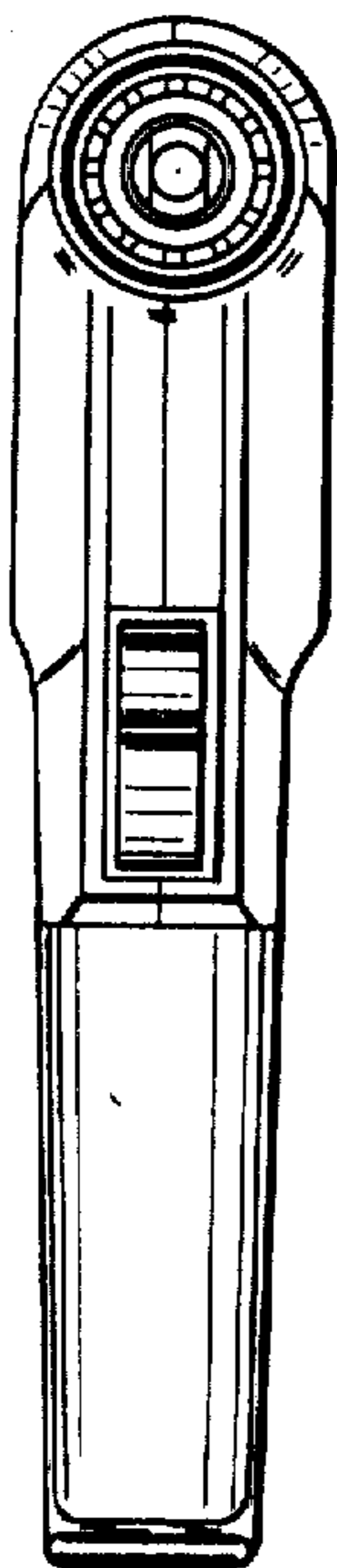


FIG. 4

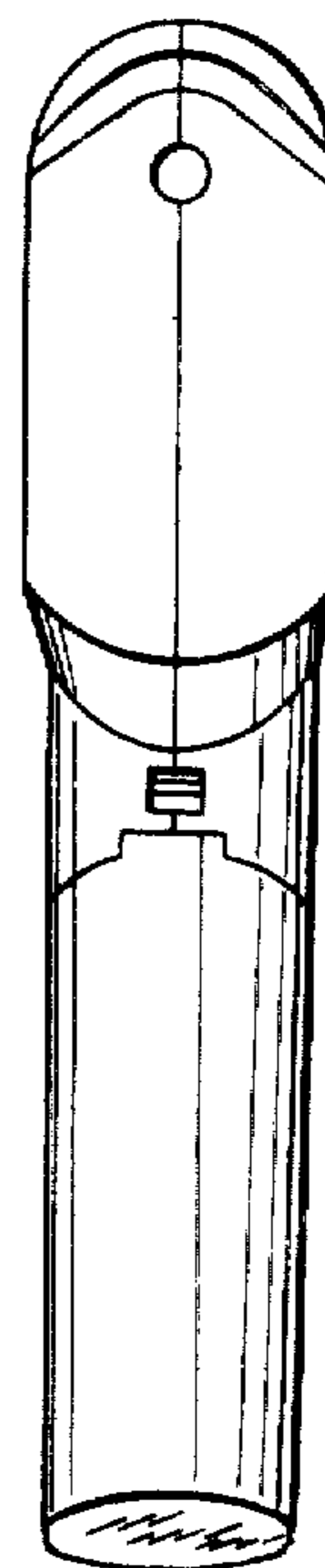


FIG. 1

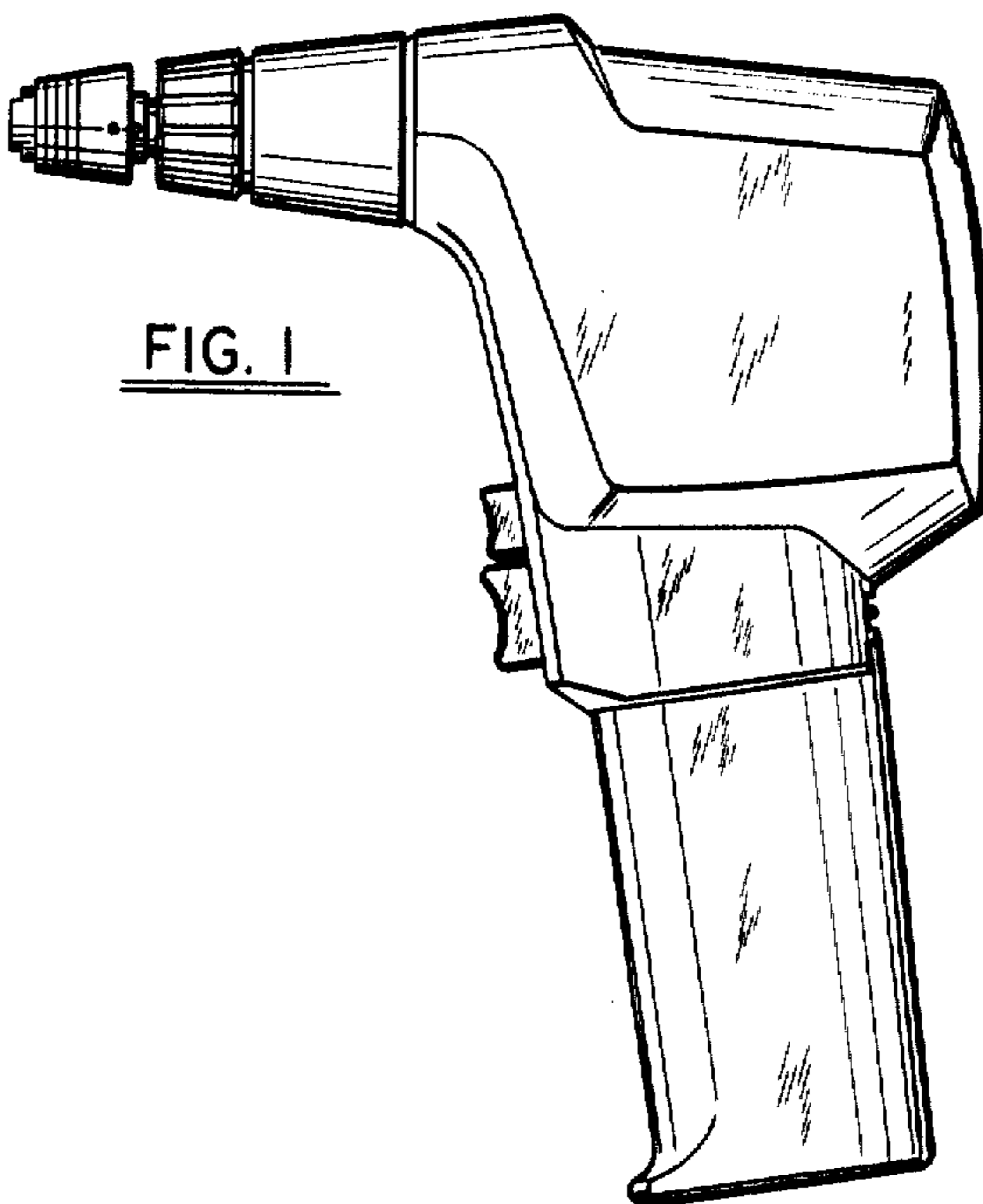


FIG. 5

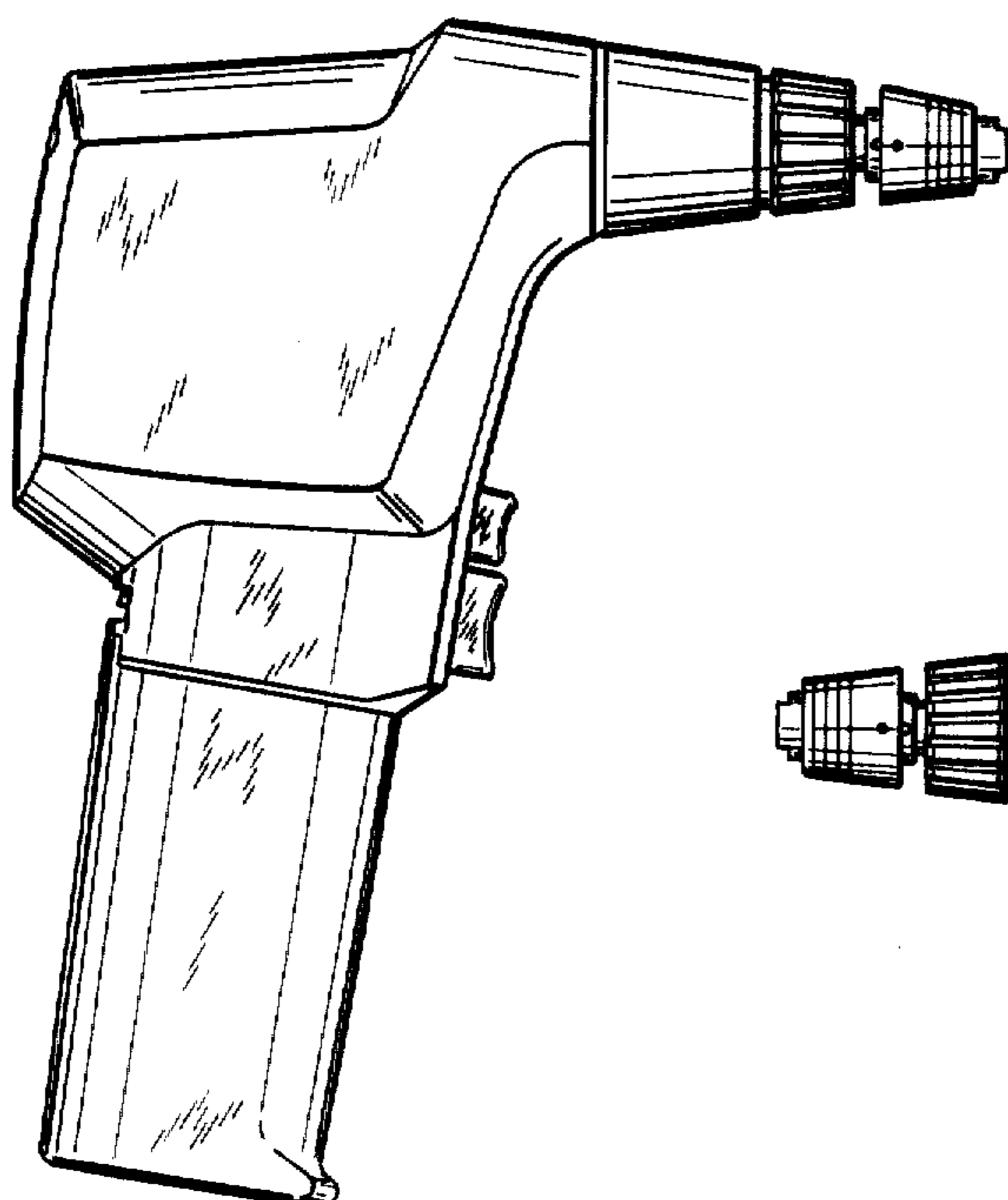


FIG. 6

