

[54] **ROTARY EVAPORATOR**

[75] **Inventor:** Jürgen H. R. Schindler, Rüsselsheim,
Fed. Rep. of Germany

[73] **Assignee:** Buchi Laboratories-Tehnik AG,
Flawil, Switzerland

[**] **Term:** 14 Years

[21] **Appl. No.:** 110,627

[22] **Filed:** Jan. 9, 1980

[51] **Int. Cl.** D24-01

[52] **U.S. Cl.** D24/8

[58] **Field of Search** 202/213, 215, 218, 222,
202/234, 238; D24/8, 9

[56] **References Cited**
PUBLICATIONS

Cole-Parmer, 1977-1978, ©1976, page 121, Rotavapor
Evaporator illustration.

Primary Examiner—A. Hugo Word
Attorney, Agent, or Firm—Edward J. Brenner

[57] **CLAIM**

The ornamental design for a rotary evaporator, as
shown.

DESCRIPTION

FIG. 1 is a top view of the rotary evaporator of the
present invention;

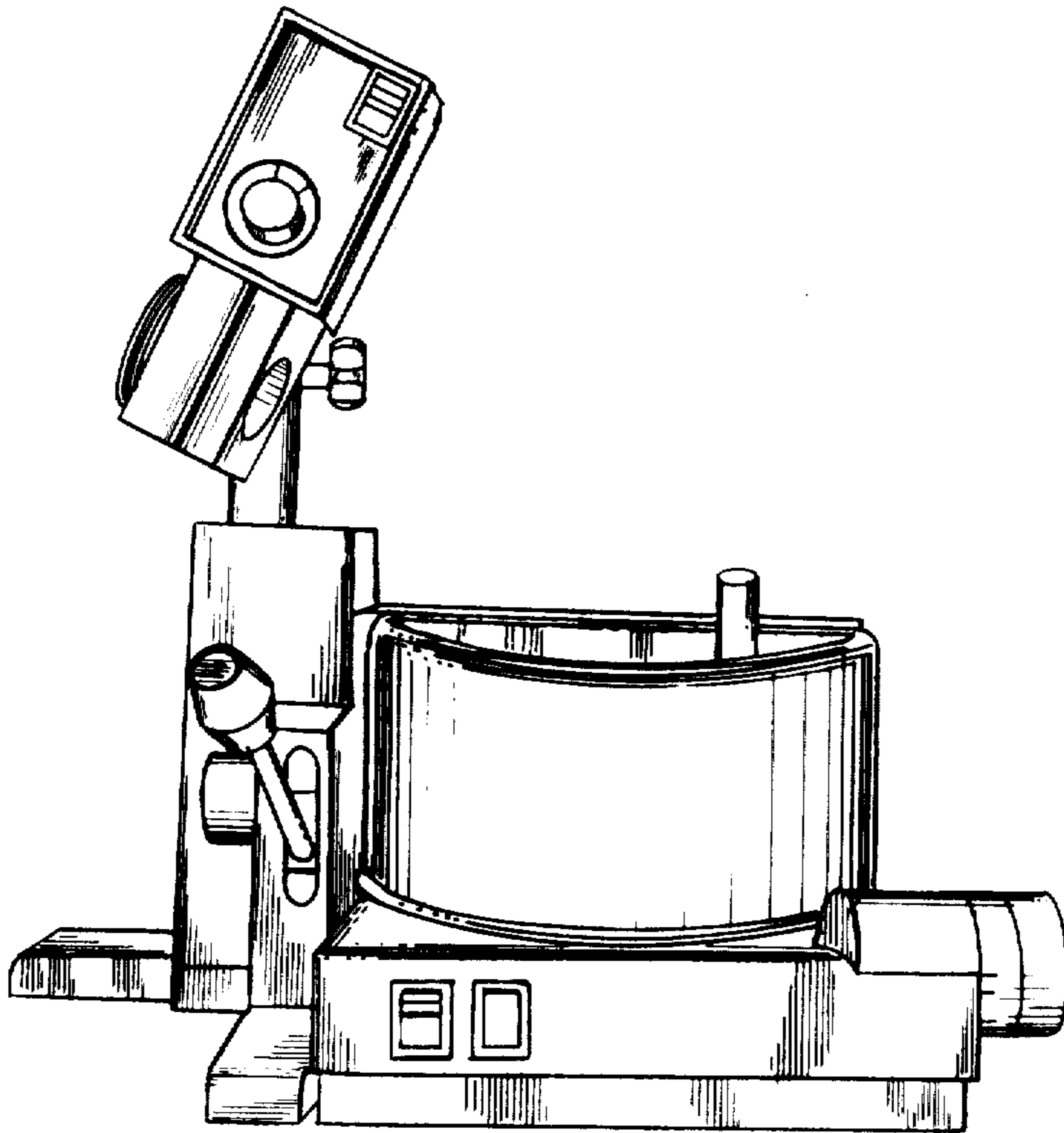
FIG. 2 is a front view of the rotary evaporator;

FIG. 3 is a right side view of the rotary evaporator;

FIG. 4 is a left side view of the rotary evaporator;

FIG. 5 is a bottom view of the rotary evaporator;

FIG. 6 is a rear view of the rotary evaporator.



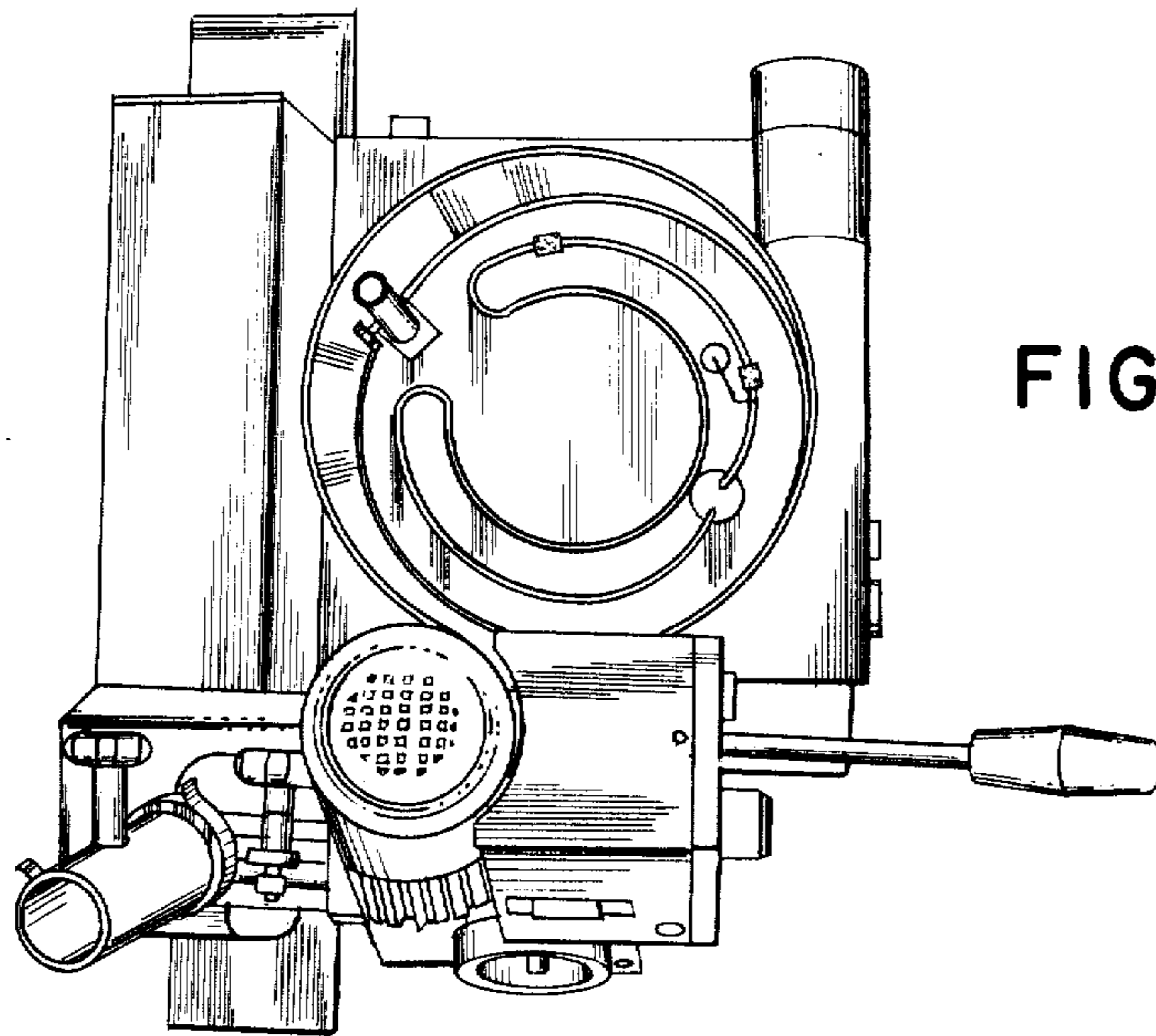


FIG. 1

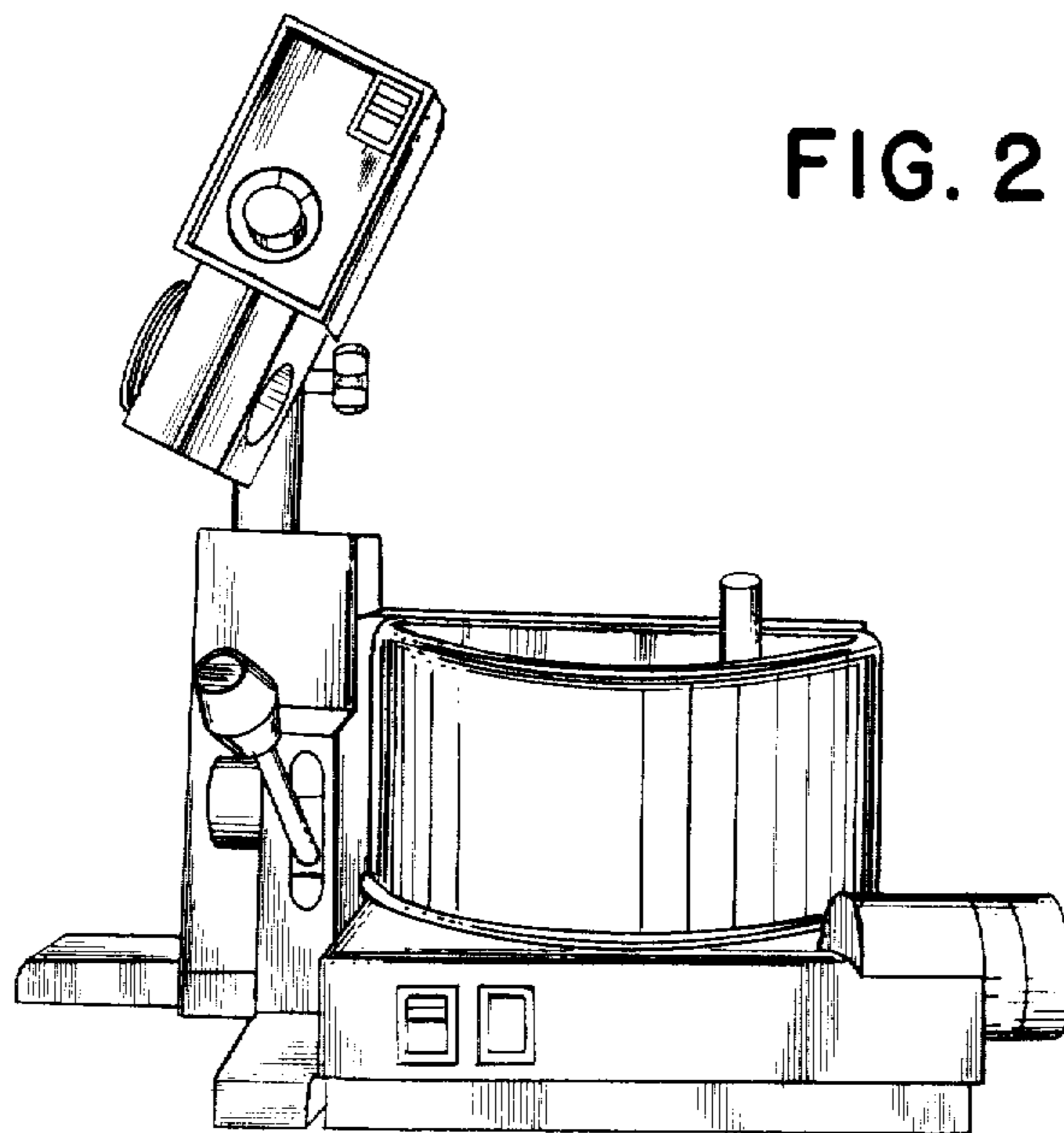


FIG. 2

FIG. 3

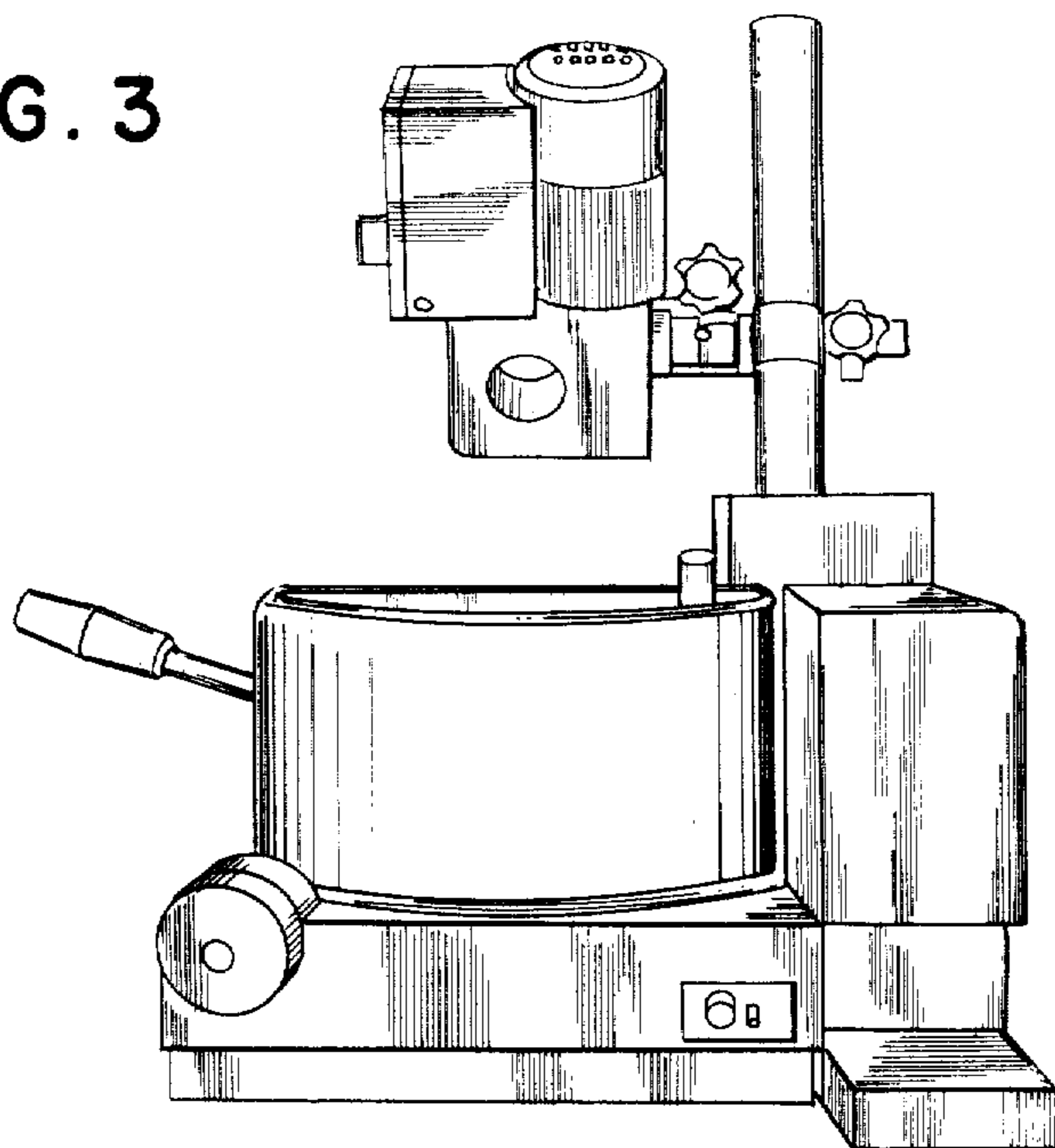


FIG. 4

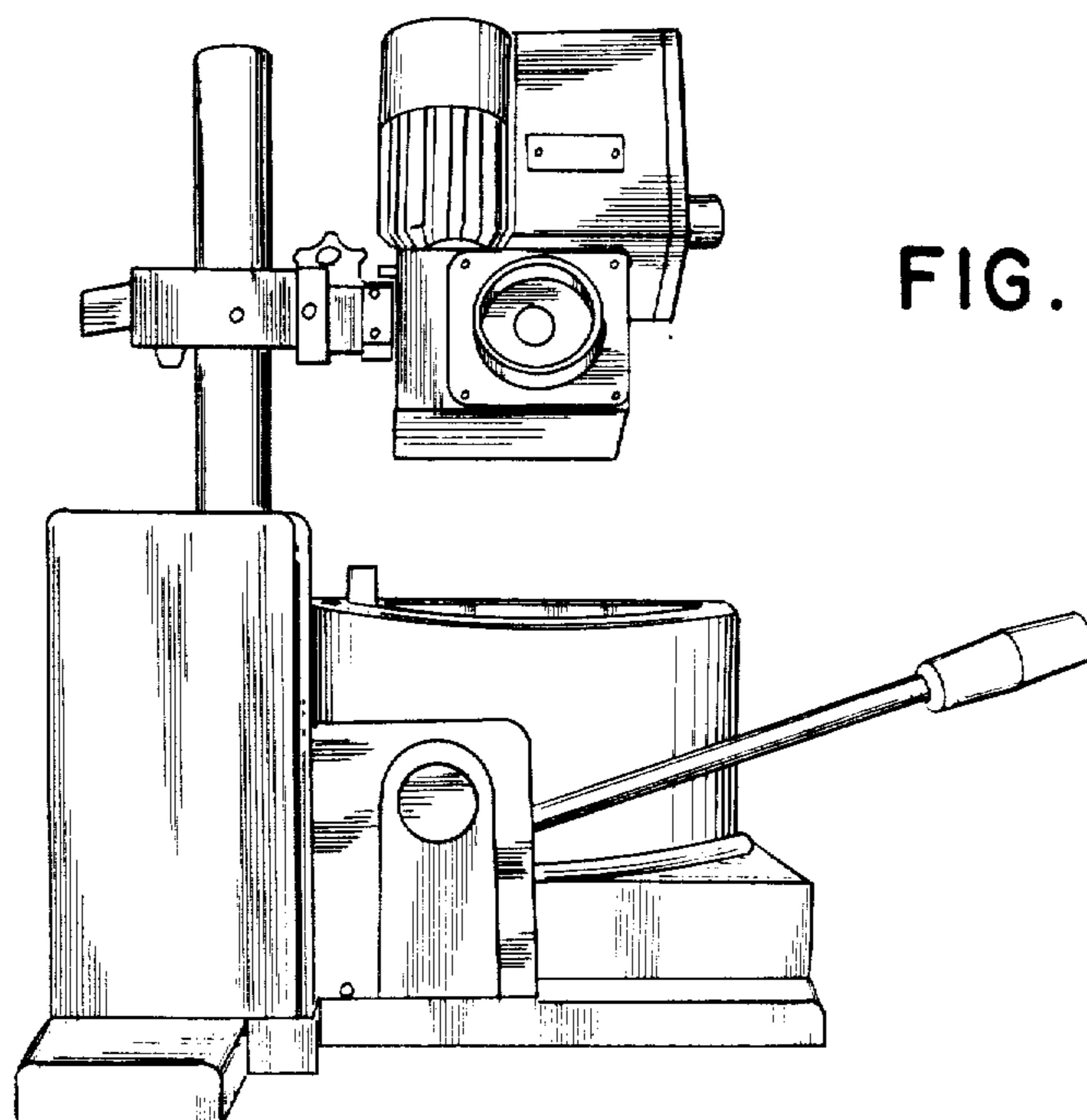


FIG. 5

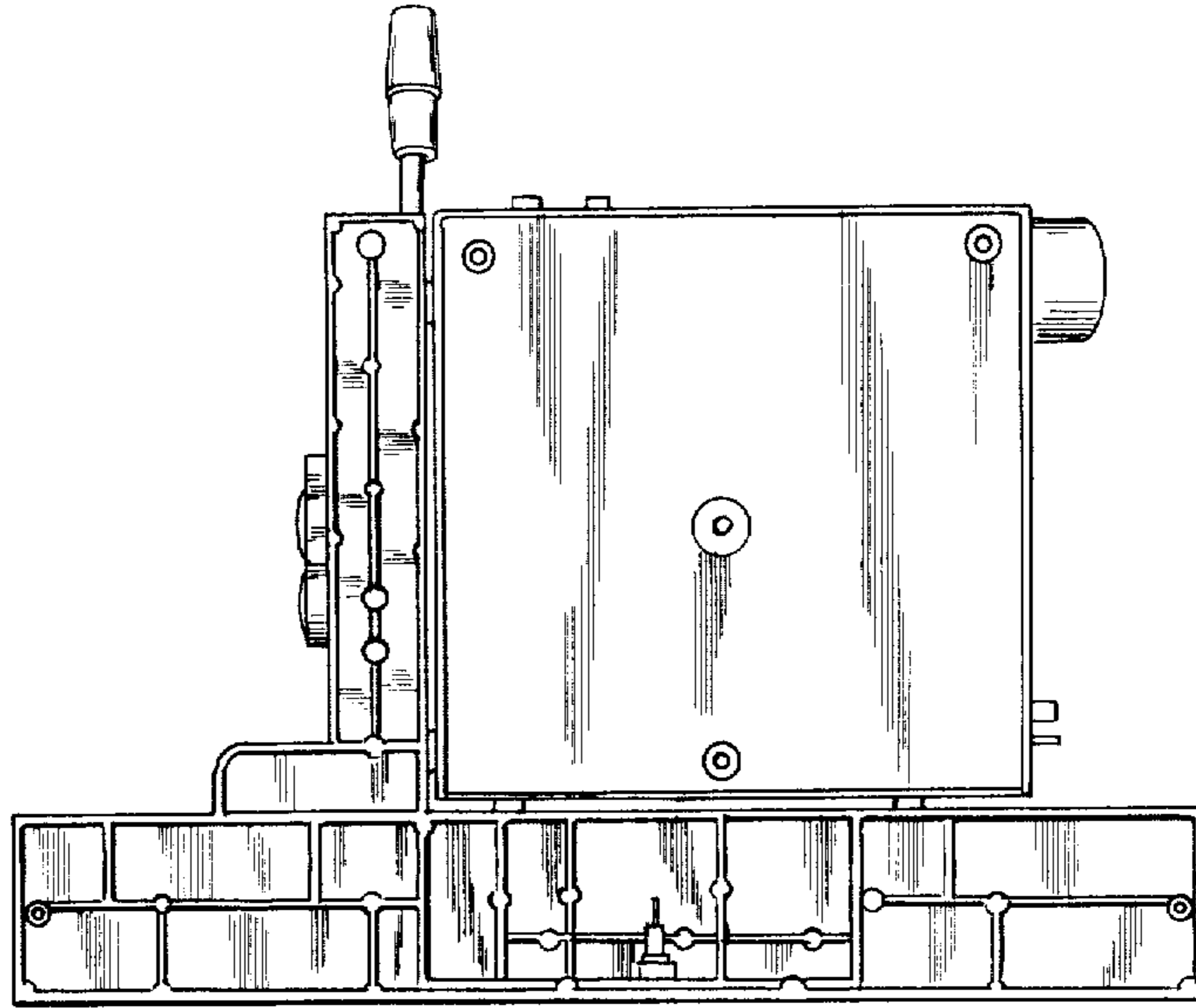


FIG. 6

