

[54] HEAT EXCHANGER

[75] Inventor: **Thomas R. Carruthers**, Glasgow, Scotland
[73] Assignee: **Fleming Fabrications Ltd.**, Glasgow, Scotland

[**] Term: **14 Years**

[21] Appl. No.: **47,259**

[22] Filed: **Jun. 11, 1979**

[51] Int. Cl. **D23-03**
[52] U.S. Cl. **D23/136**
[58] Field of Search 165/163, 184; D23/136

[56] **References Cited**

U.S. PATENT DOCUMENTS

D. 205,870	9/1966	Hill	D23/136
2,418,405	4/1947	Gunter et al.	165/163X
2,587,720	3/1952	Fritzberg	165/163 X
3,402,102	9/1968	Kagi	165/163 X
3,735,588	5/1973	Moskowitz et al.	165/163 X
4,085,491	4/1978	Mathwig	165/184 X

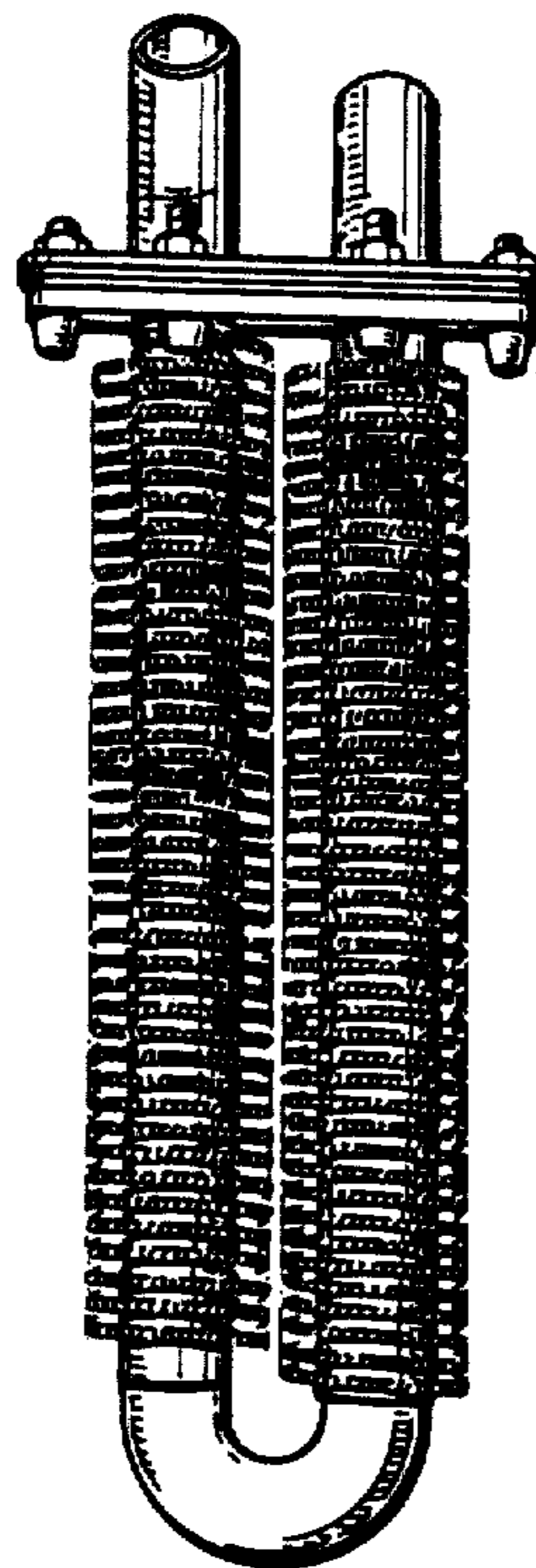
Primary Examiner—A. Hugo Word
Attorney, Agent, or Firm—Larson and Taylor

[57] **CLAIM**

The ornamental design for a heat exchanger, substantially as shown.

DESCRIPTION

FIG. 1 is an elevational view of a heat exchanger, showing my new design;
FIG. 2 is a top plan view thereof; and,
FIG. 3 is a bottom view.



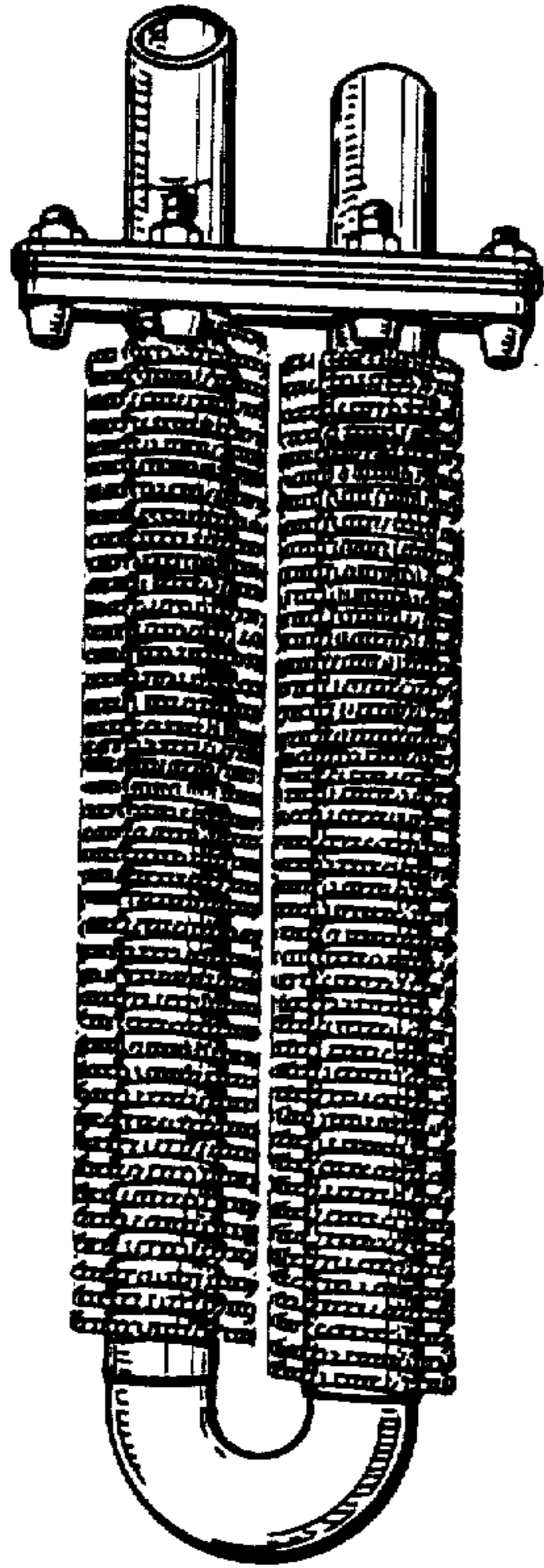


FIG. 1

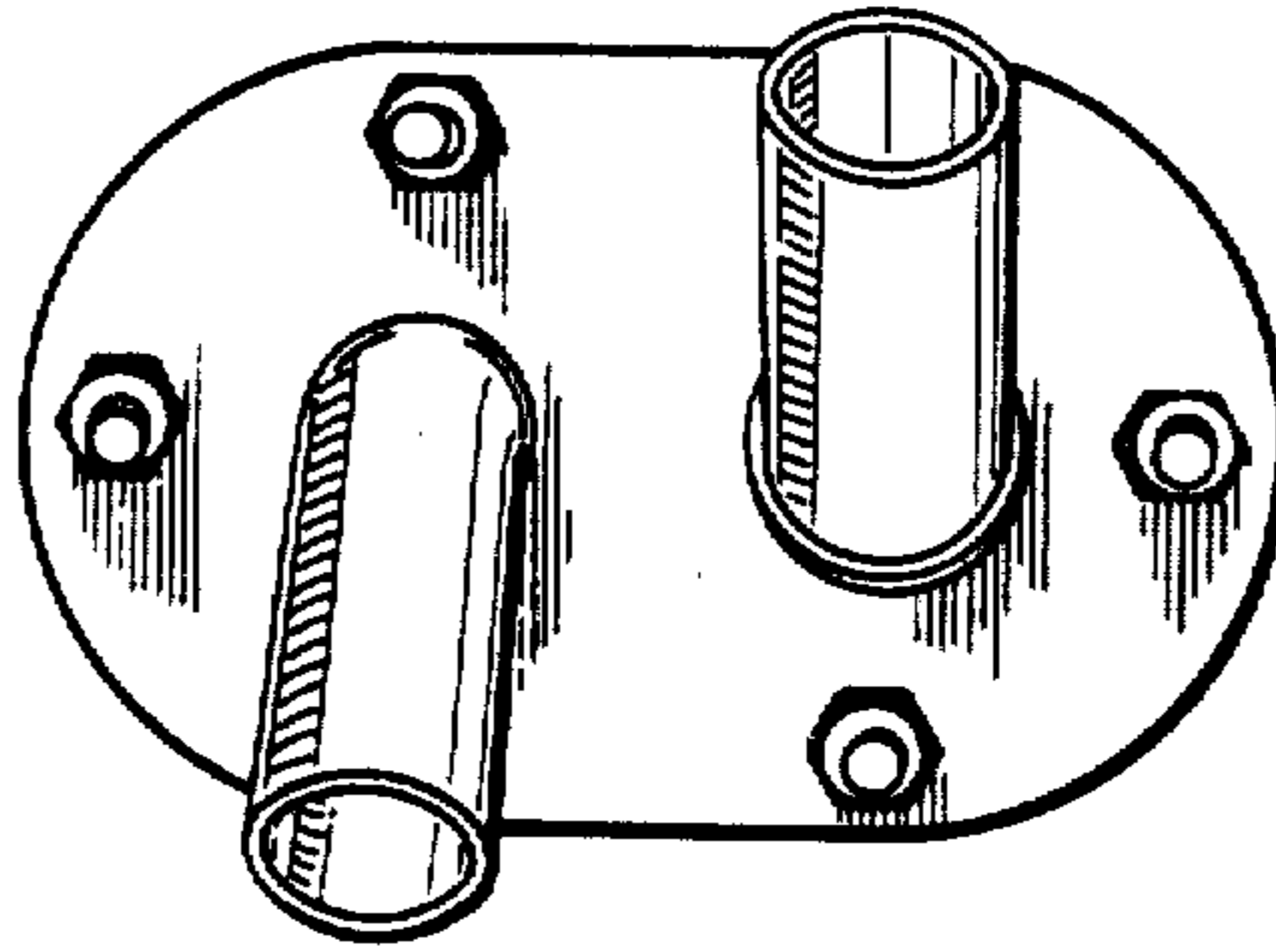


FIG. 2

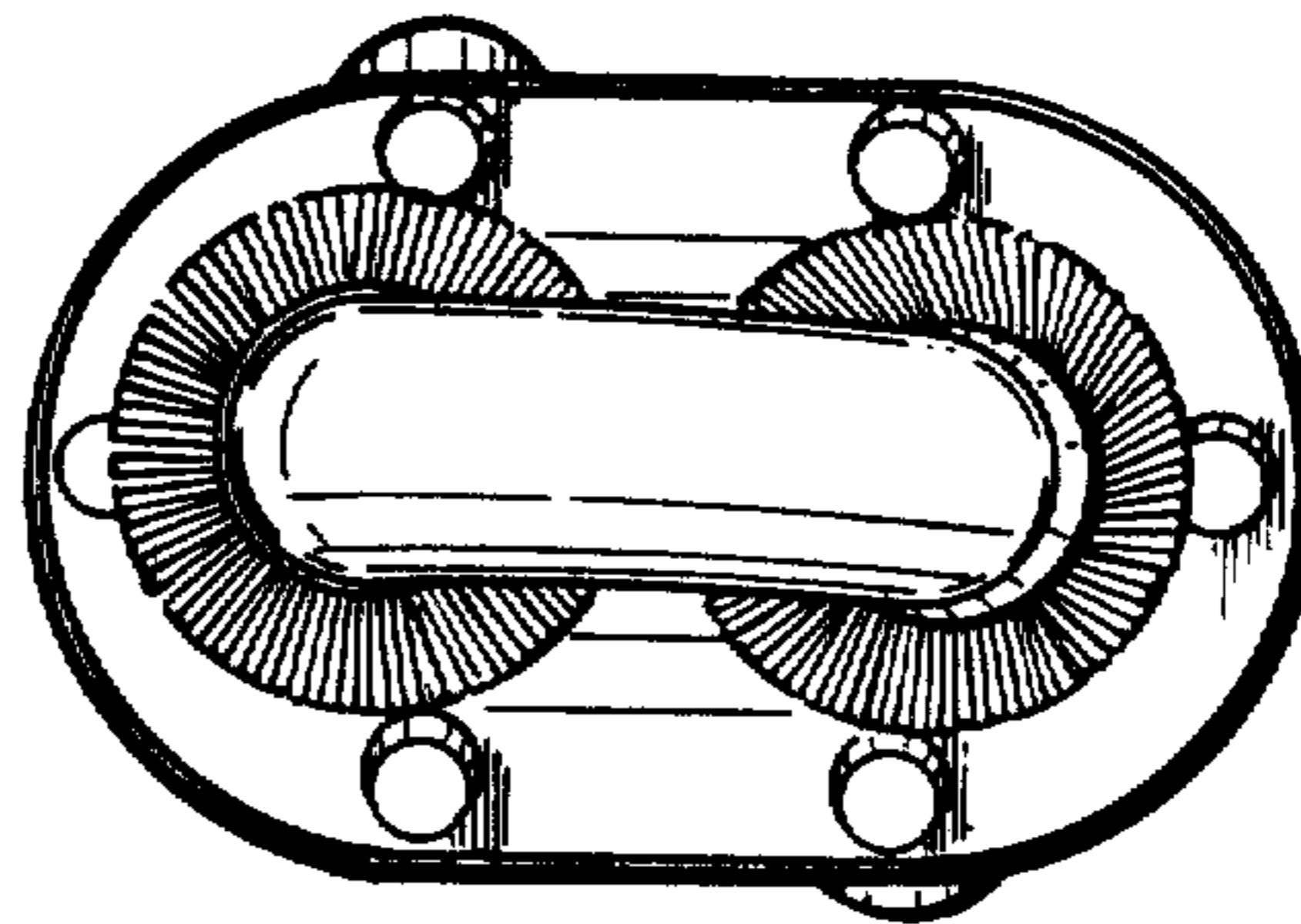


FIG. 3