

[54] WATER SKIING HOOK FOR AMPUTEES

4,174,087 11/1979 Gaines ..... 248/339

[76] Inventor: Robert Radocy, 2860 Pennsylvania Ave., Boulder, Colo. 80303

FOREIGN PATENT DOCUMENTS

4482 1/1901 Fed. Rep. of Germany ..... 248/304

[\*\*] Term: 14 Years

Primary Examiner—Veronica O’Keefe  
Attorney, Agent, or Firm—Richard D. Law; Bruce G. Klaas

[21] Appl. No.: 90,354

[22] Filed: Nov. 1, 1979

[57] CLAIM

[51] Int. Cl. .... D21—02

The ornamental design of a water skiing hook for amputees, substantially as shown and described.

[52] U.S. Cl. .... D21/230; D8/367;  
248/304; 248/340

DESCRIPTION

[58] Field of Search ..... D12/230; D8/367;  
D21/230; 248/304, 340

FIG. 1 is front quarter perspective view of an easily releasable water skiing hook for amputees.

[56] References Cited

U.S. PATENT DOCUMENTS

D. 5,818	4/1872	Sargent	.....	D8/367
D. 11,809	6/1880	Christesen	.....	D8/367
193,585	7/1877	Woodward	.....	248/304
D. 259,700	6/1981	Chasen	.....	D8/367
2,671,821	3/1954	Zientowski et al.	.....	248/304

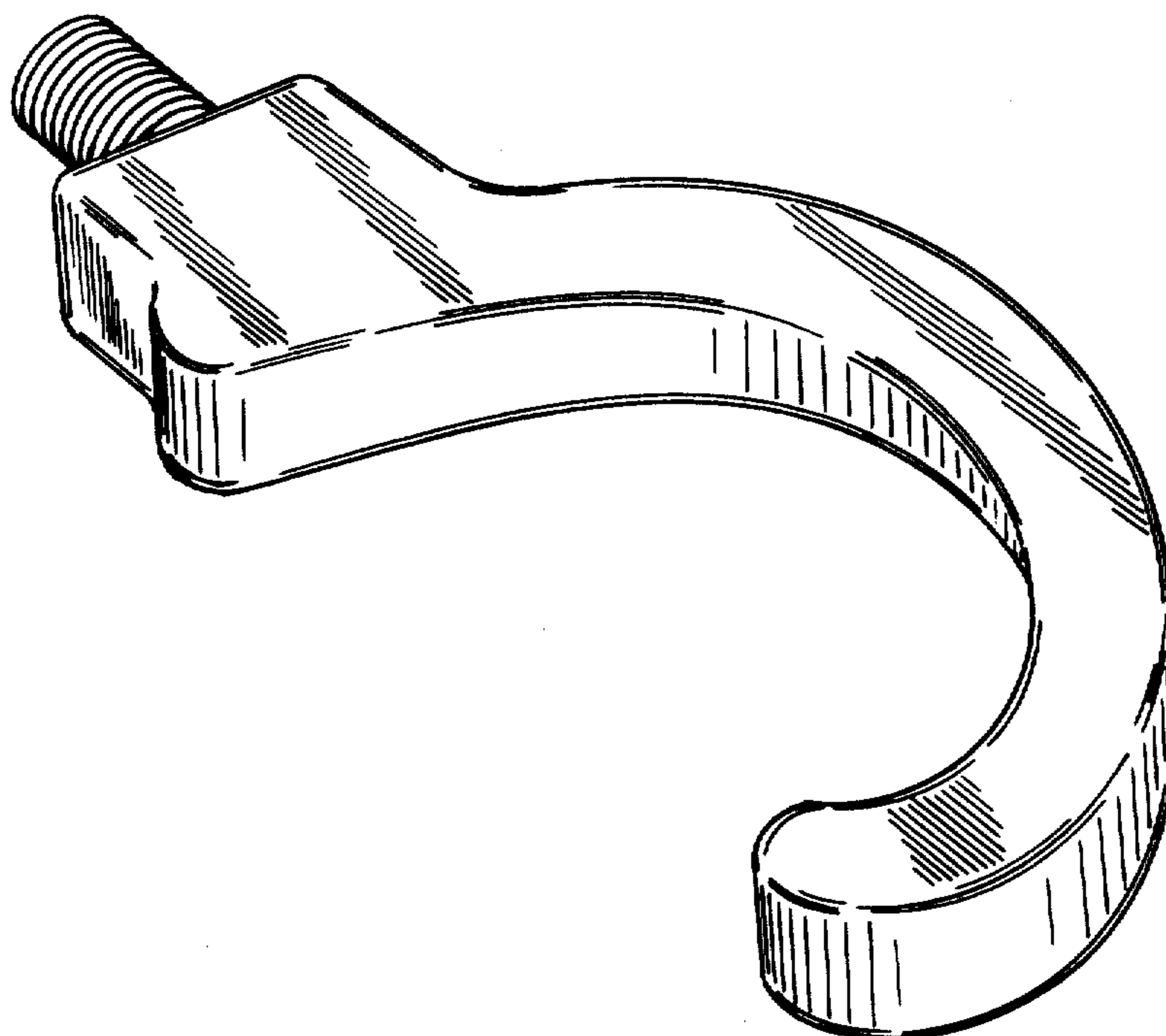
FIG. 2 is a front view thereof.

FIG. 3 is a rear view thereof.

FIG. 4 is a plan view thereof

FIG. 5 is a side elevational view of the open hook side thereof, and

FIG. 6 is a side elevational view of the opposite side thereof.



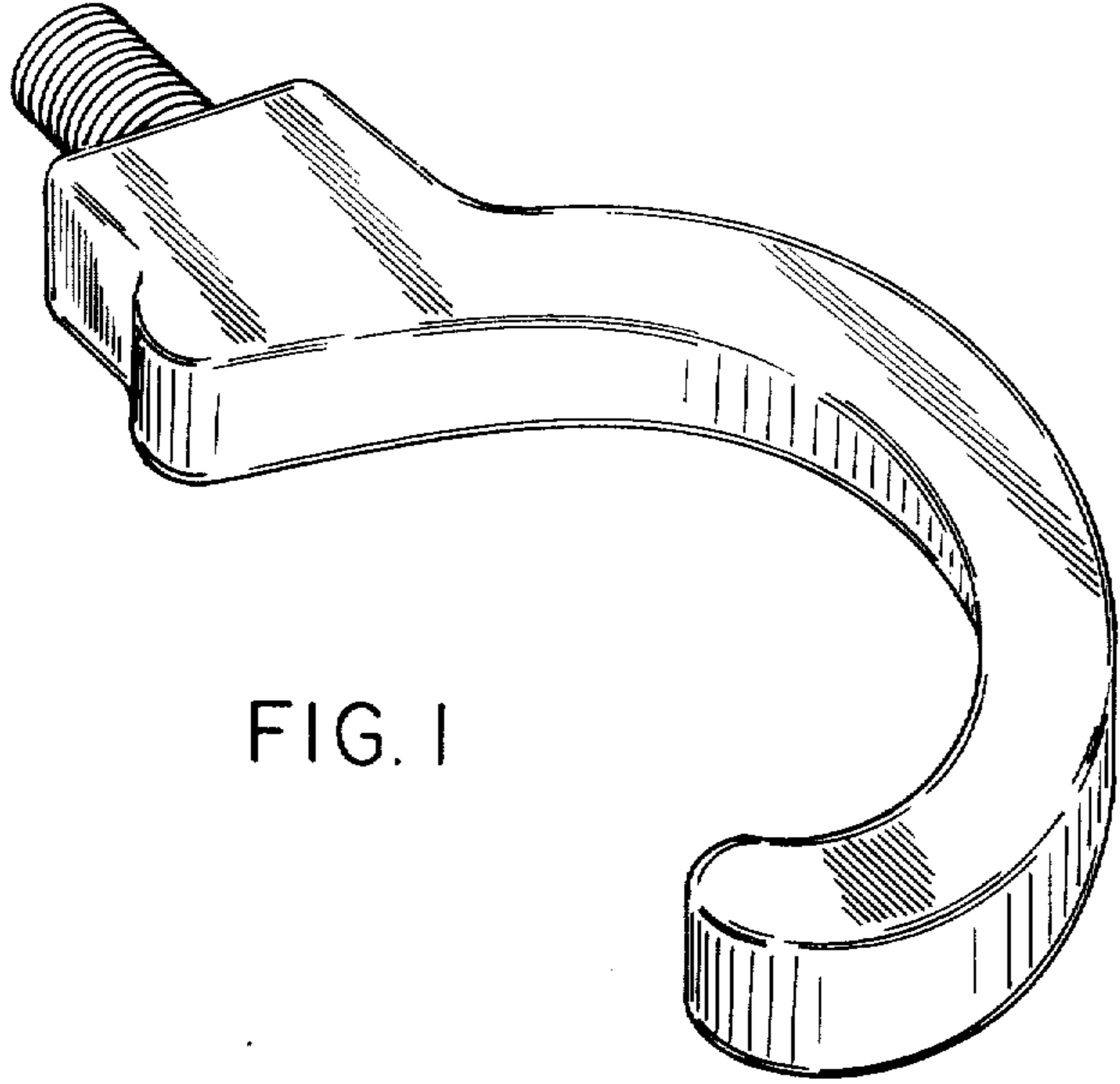


FIG. 1

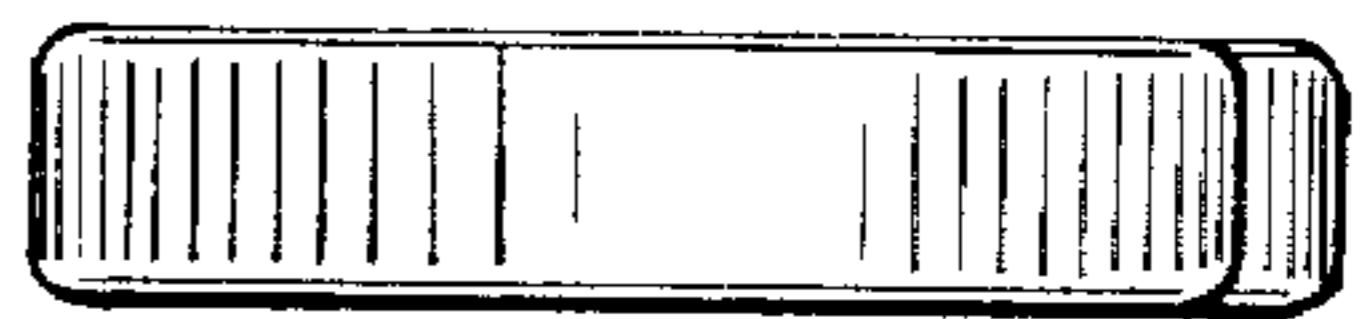


FIG. 2



FIG. 3

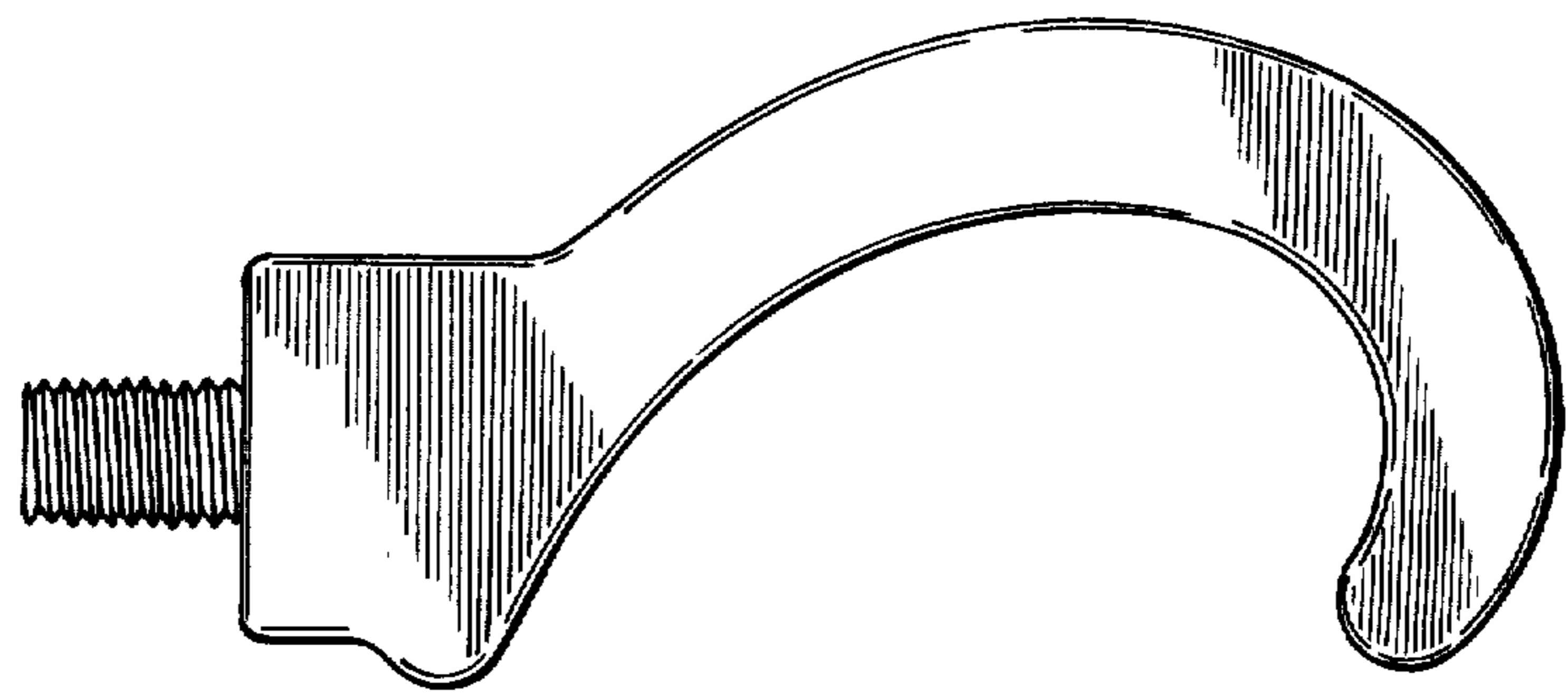


FIG. 4



FIG. 5

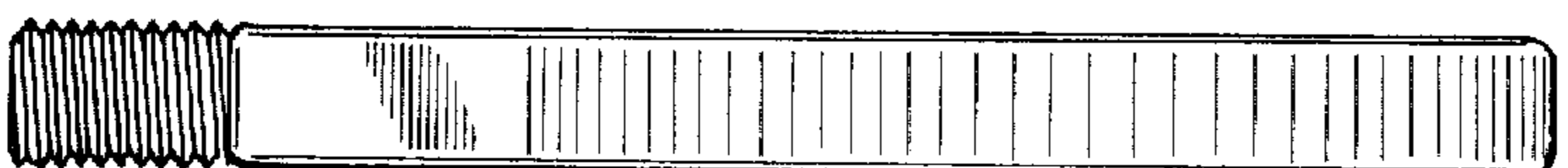


FIG. 6