

[54] **EXERCISE BAR FOR PHYSICAL EXERCISER**

[76] Inventors: **Lloyd J. Lambert, Jr.; Lloyd J. Lambert, Sr.**, both of 1538 College Ave., South Houston, Tex. 77587

[\*\*] Term: **14 Years**

[21] Appl. No.: **100,153**

[22] Filed: **Dec. 4, 1979**

[51] Int. Cl. .... **D21-02**

[52] U.S. Cl. .... **D21/198; D21/191**

[58] Field of Search ..... **D21/191, 193, 194, 195, D21/196, 197, 198, 199; 272/122, 123, 124, 67, 132, 134, 135, 136, 141, 116, 118, 139; D12/178**

2,722,419 11/1955 Tarapezynski ..... 272/123  
 3,953,025 4/1976 Mazman ..... 272/132

**FOREIGN PATENT DOCUMENTS**

664206 9/1965 Belgium ..... 135/3 R  
 1534737 10/1976 United Kingdom ..... 272/125

*Primary Examiner*—Charles A. Rademaker  
*Attorney, Agent, or Firm*—Victor J. Evans & Co.

[57] **CLAIM**

The ornamental design for an exercise bar for physical exerciser, as shown and described.

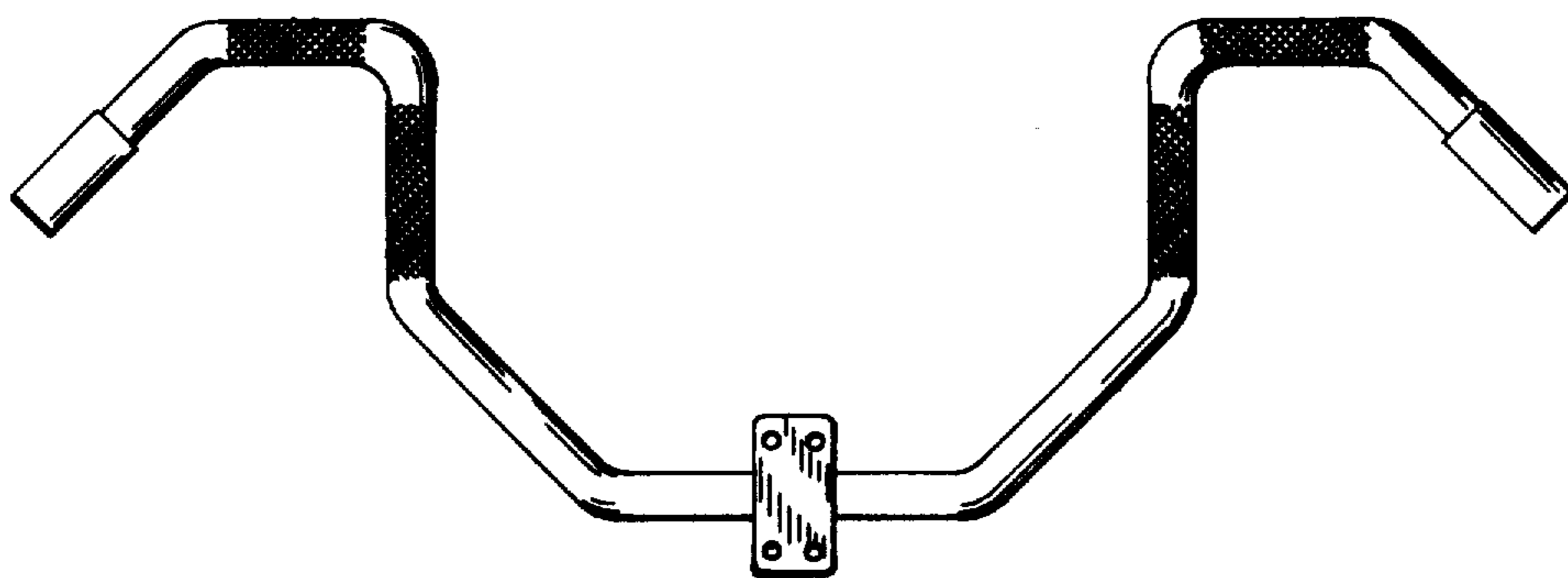
**DESCRIPTION**

FIG. 1 is a front elevational view of an exercise bar for physical exerciser showing my new design;  
 FIG. 2 is a rear elevational view thereof;  
 FIG. 3 is a top plan view thereof;  
 FIG. 4 is a bottom plan view thereof; and,  
 FIG. 5 is a side elevational view thereof.

[56] **References Cited**

**U.S. PATENT DOCUMENTS**

D. 226,439 3/1973 Coker ..... D21/195



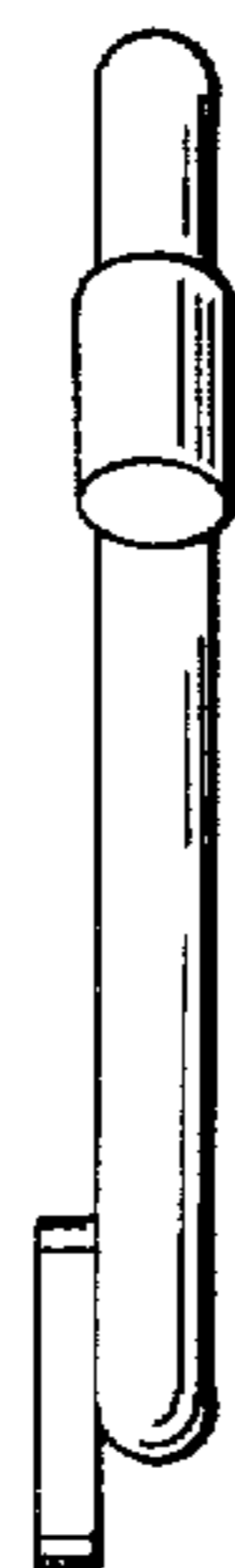
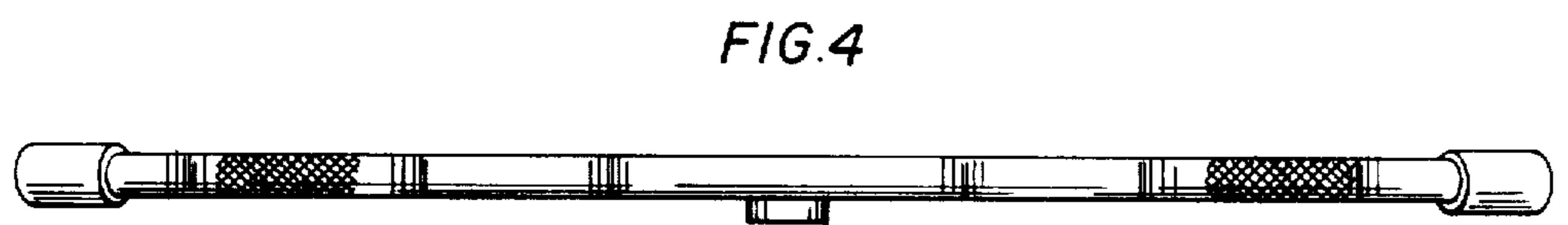
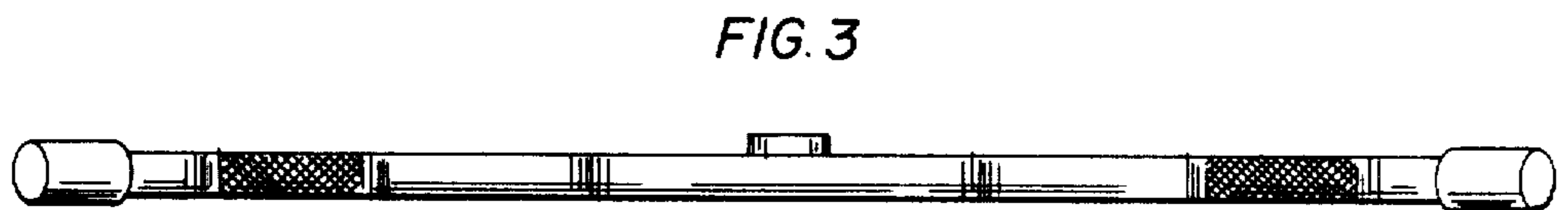
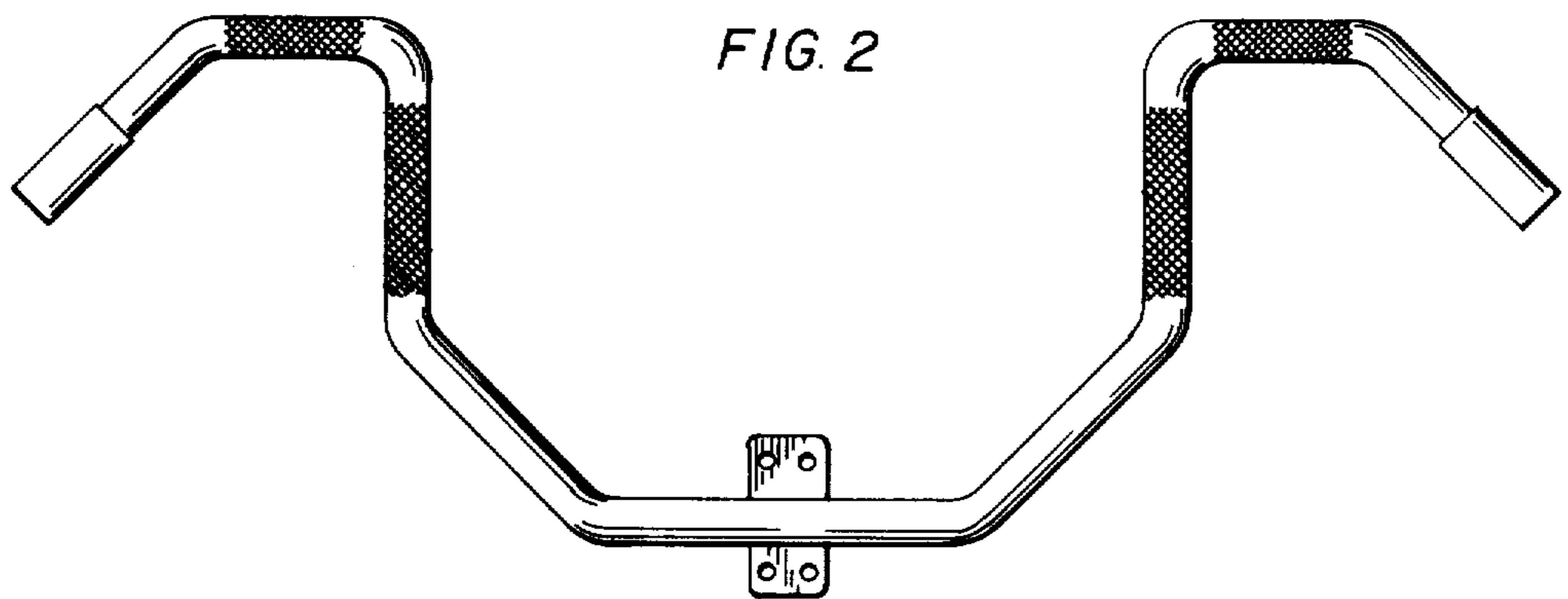
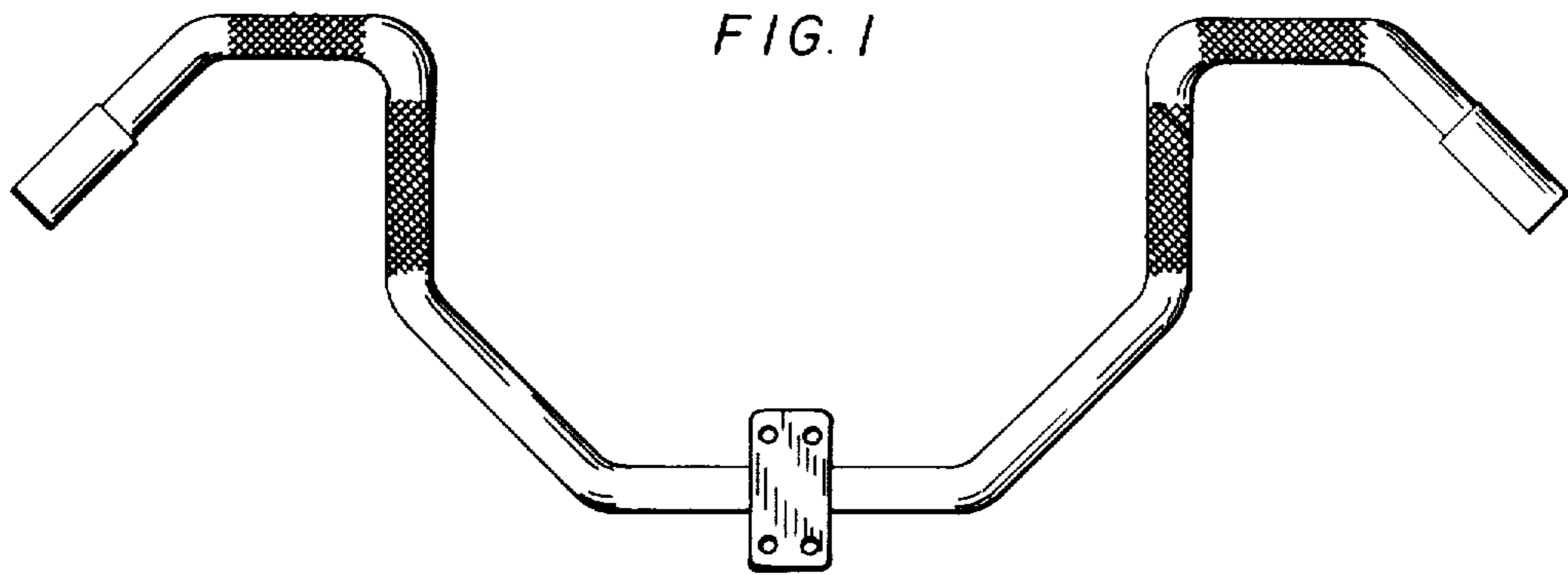


FIG. 5