

[54] PHYSICAL EXERCISER

[76] Inventors: Lloyd J. Lambert, Jr.; Lloyd J. Lambert, Sr., both of 1538 College Ave., South Houston, Tex. 77587

[\*\*] Term: 14 Years

[21] Appl. No.: 100,157

[22] Filed: Dec. 4, 1979

[51] Int. Cl. .... D21-02  
[52] U.S. Cl. .... D21/195  
[58] Field of Search ..... D21/191-199;  
272/118, 134, 117, 130, 133, 144, 145, 143, 116,  
72

[56]

References Cited

U.S. PATENT DOCUMENTS

D. 239,642 4/1976 Clarke ..... D21/195  
1,929,107 10/1933 Weaver ..... 272/118  
4,239,210 12/1980 Lambert ..... 272/118

FOREIGN PATENT DOCUMENTS

2324324 4/1977 France ..... 272/114

Primary Examiner—Charles A. Rademaker  
Attorney, Agent, or Firm—Victor J. Evans & Co.

[57]

CLAIM

The ornamental design for a physical exerciser, substantially as shown and described.

DESCRIPTION

FIG. 1 is a front perspective view of a physical exerciser showing our new design;  
FIG. 2 is a top plan view thereof;  
FIG. 3 is a front elevational view thereof; and,  
FIG. 4 is a rear elevational view thereof.

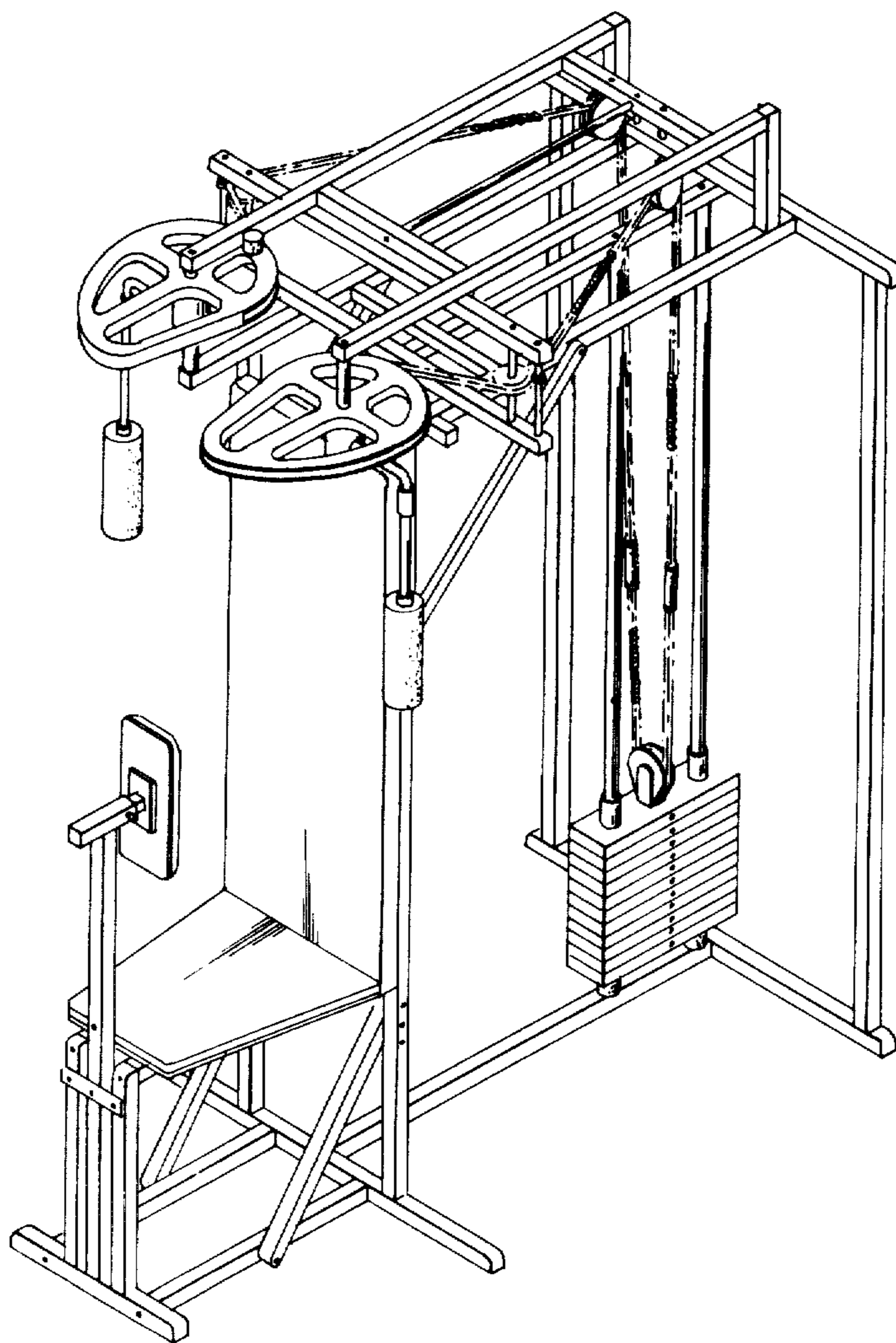
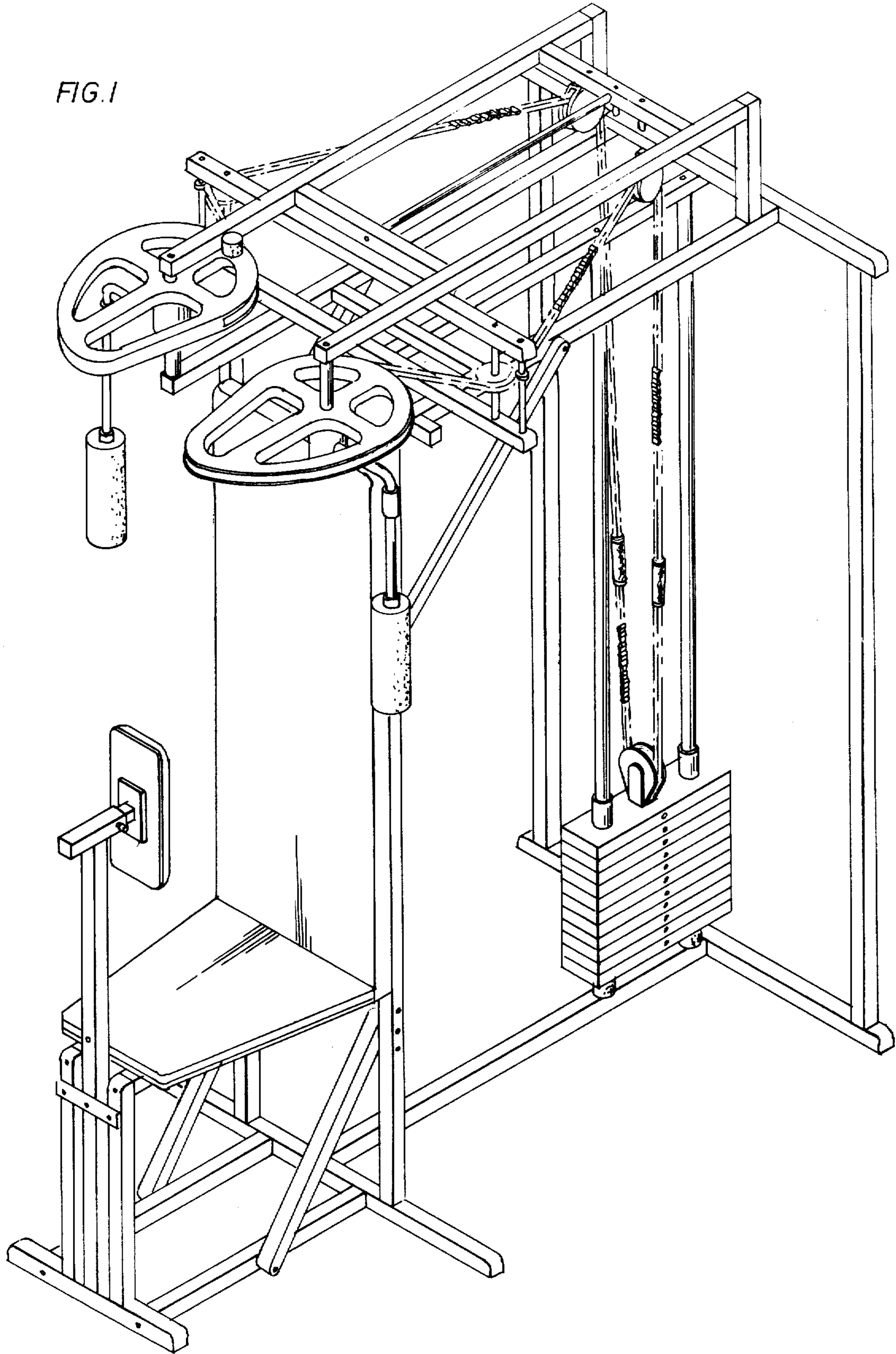


FIG. 1



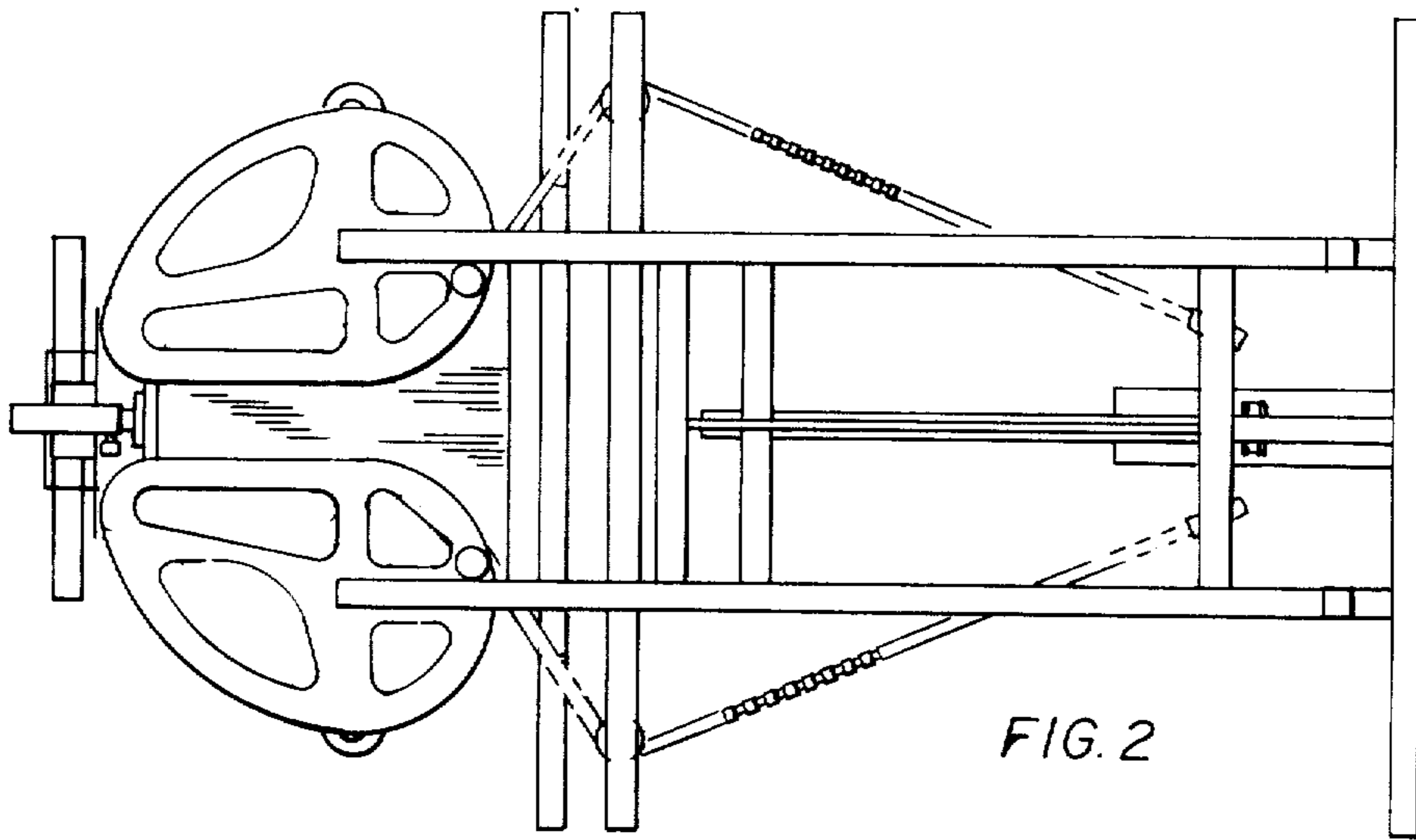


FIG. 2

FIG. 3

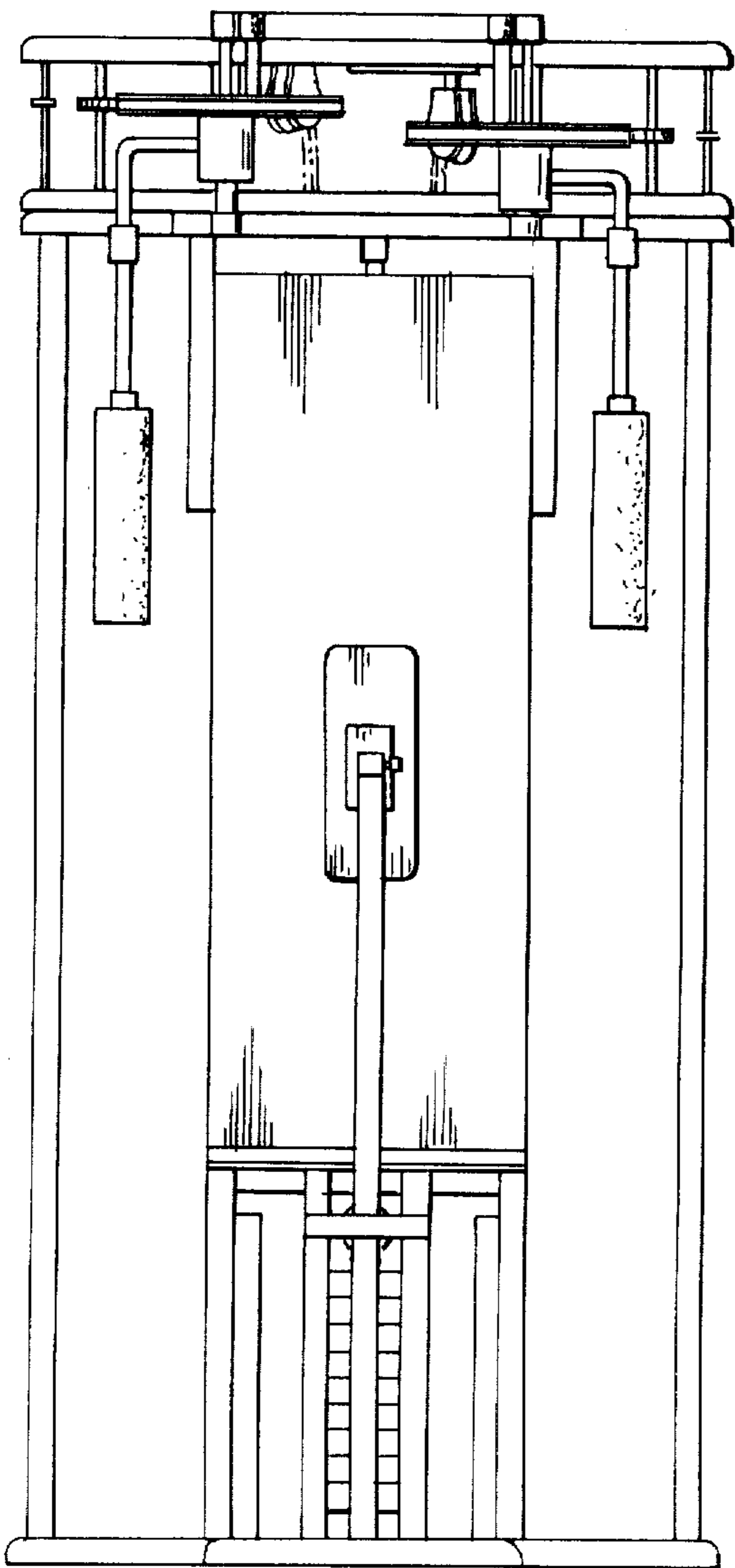


FIG. 4

