

[54] KINETIC SCULPTURE

D. 190,747 6/1961 Evans ..... D21/70

[76] Inventor: **Hidetoshi Matsui**, 6-27-311,  
Imazunaka 3-chome, Tsurumi-ku,  
Osaka, Japan

[\*\*] Term: **14 Years**

[21] Appl. No.: **88,206**

[22] Filed: **Oct. 24, 1979**

[30] **Foreign Application Priority Data**

Aug. 30, 1979 [JP] Japan ..... 54-36427

[51] Int. Cl. .... **D11-02**

[52] U.S. Cl. .... **D21/102; D11/141;**  
D21/70

[58] Field of Search ..... **D11/141, 159; D21/62,**  
D21/70, 102; 46/131, 155

[56] **References Cited**

**U.S. PATENT DOCUMENTS**

D. 176,016 11/1955 Hawkins ..... D21/70

D. 179,567 1/1957 Hall ..... D11/159

**OTHER PUBLICATIONS**

*The Washington Post Magazine*, 6/11/78, p. 18—Kinetic Sculpture at bottom right.

*Primary Examiner*—Louis S. Zarfes

*Attorney, Agent, or Firm*—Jordan and Hamburg

[57] **CLAIM**

The ornamental design for kinetic sculpture, as shown and described.

**DESCRIPTION**

FIG. 1 is a front elevational view of a kinetic sculpture showing my new design;

FIG. 2 is an elevational view looking from the right of FIG. 1;

FIG. 3 is a rear elevational view;

FIG. 4 is an elevational view looking from the left of FIG. 1;

FIG. 5 is a top plan view;

FIG. 6 is a bottom plan view; and

FIG. 7 is a perspective view of the kinetic sculpture.

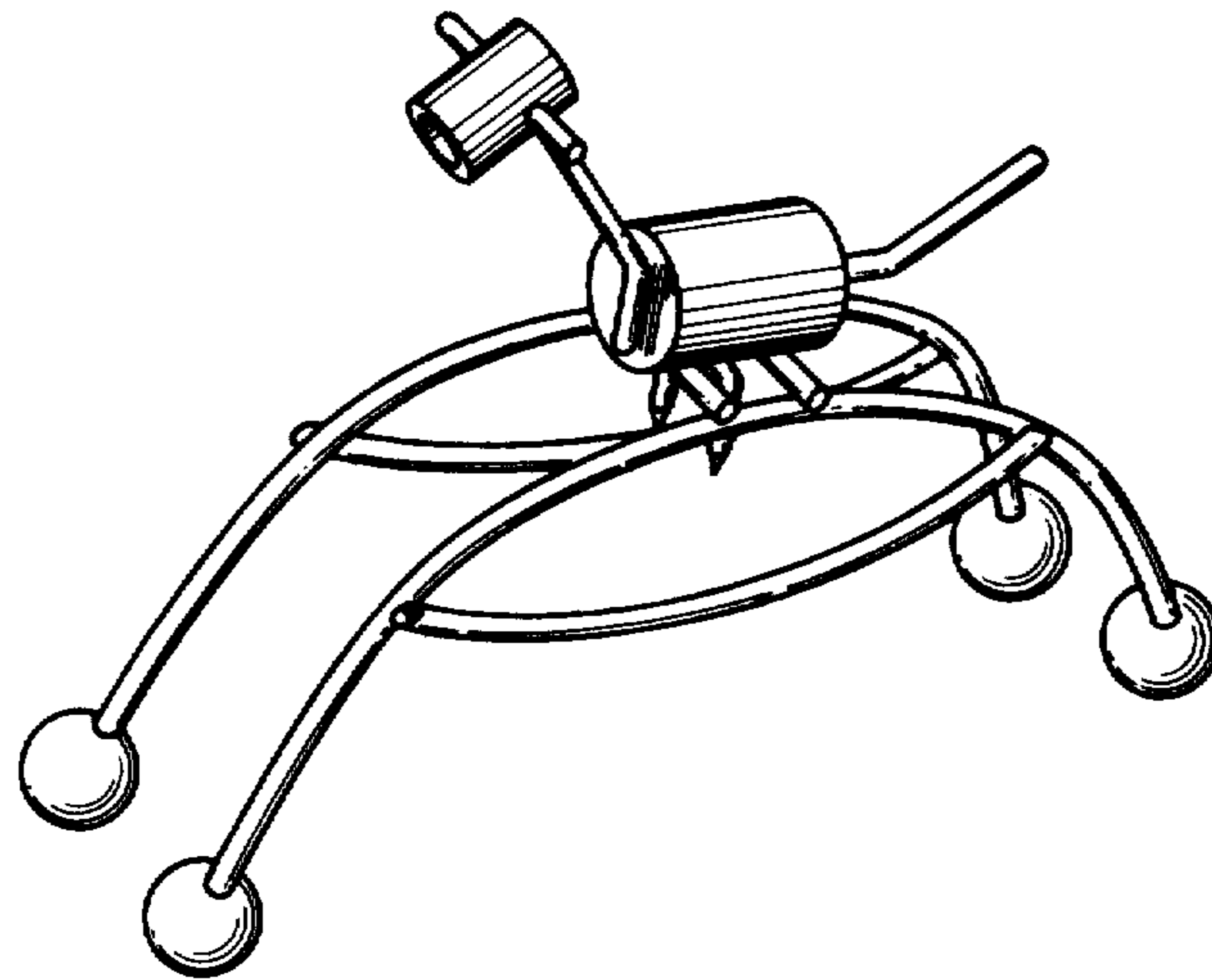


FIG. 1

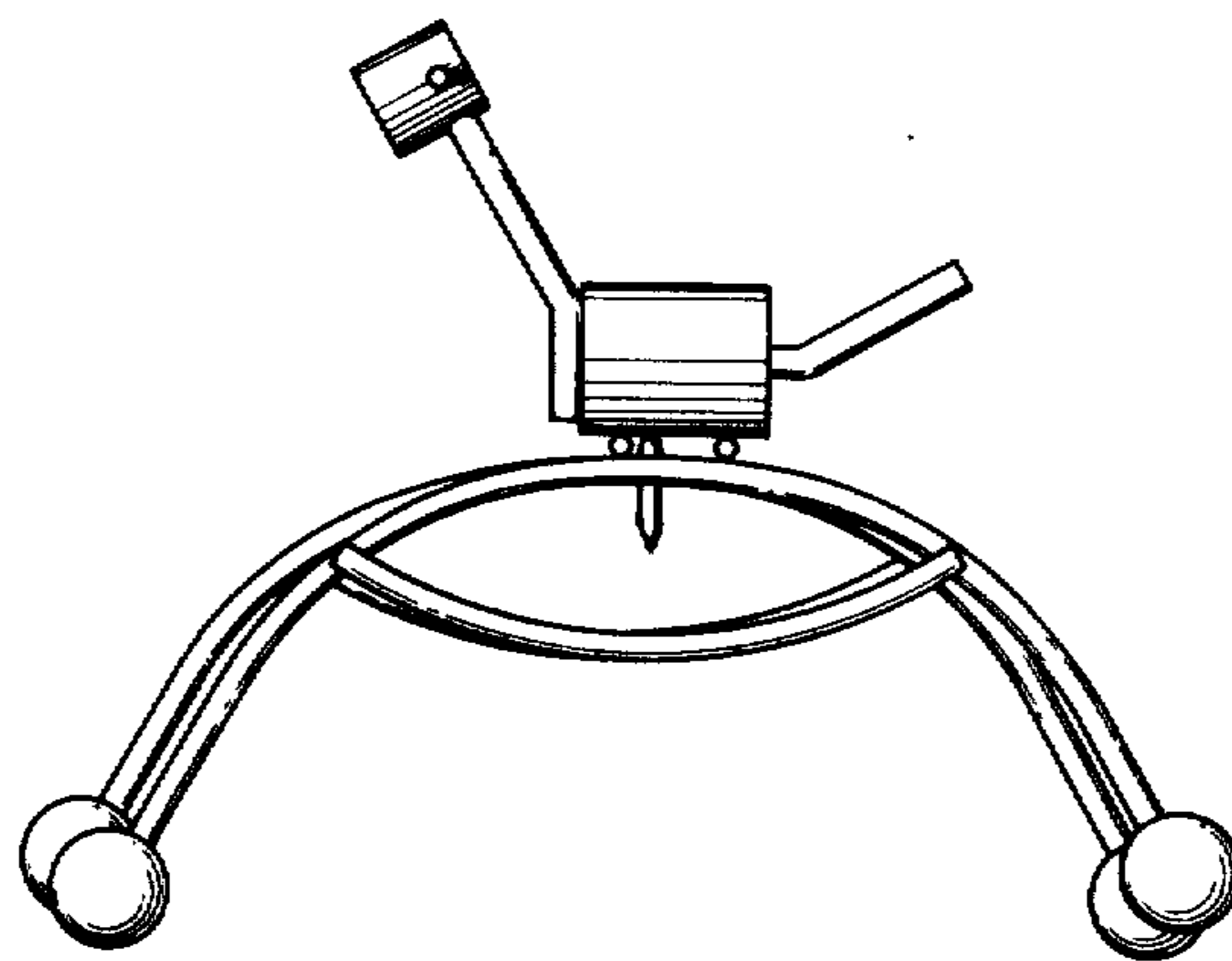


FIG. 2

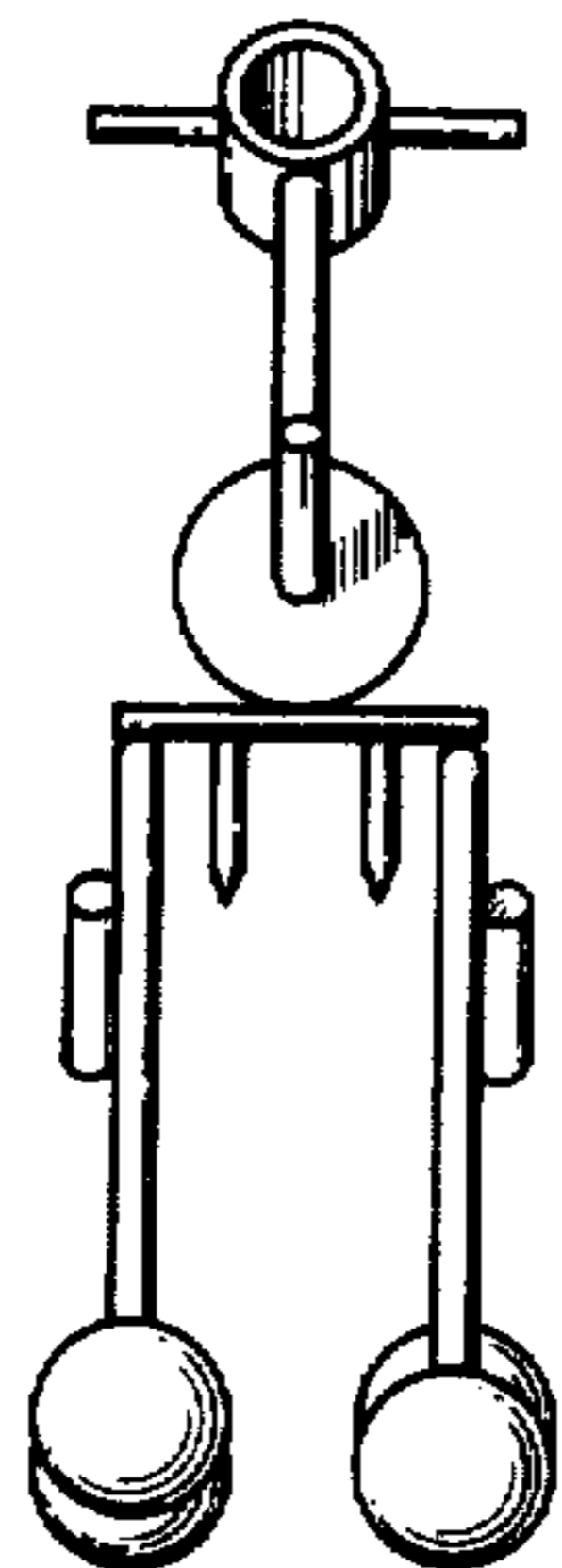


FIG. 3

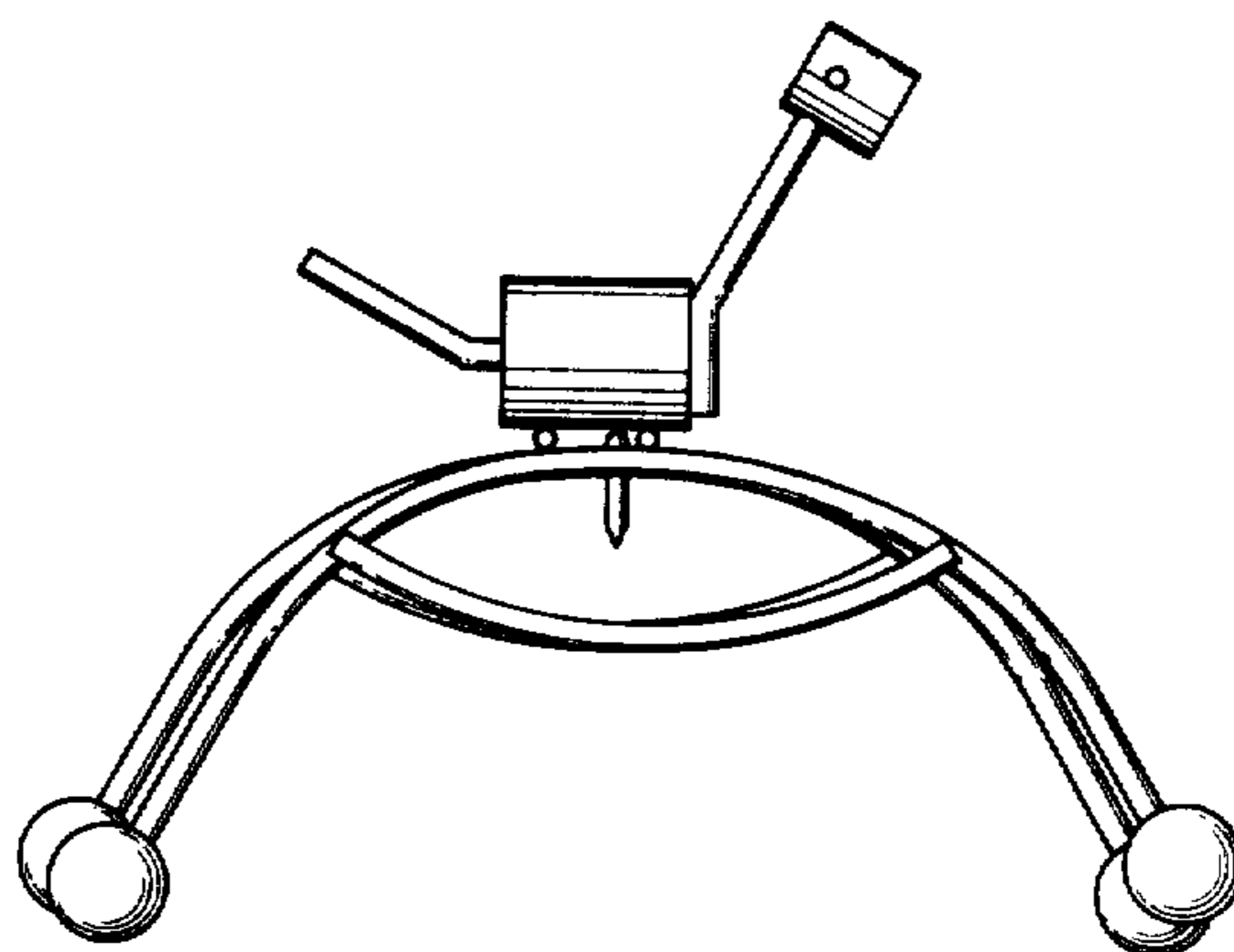


FIG. 4

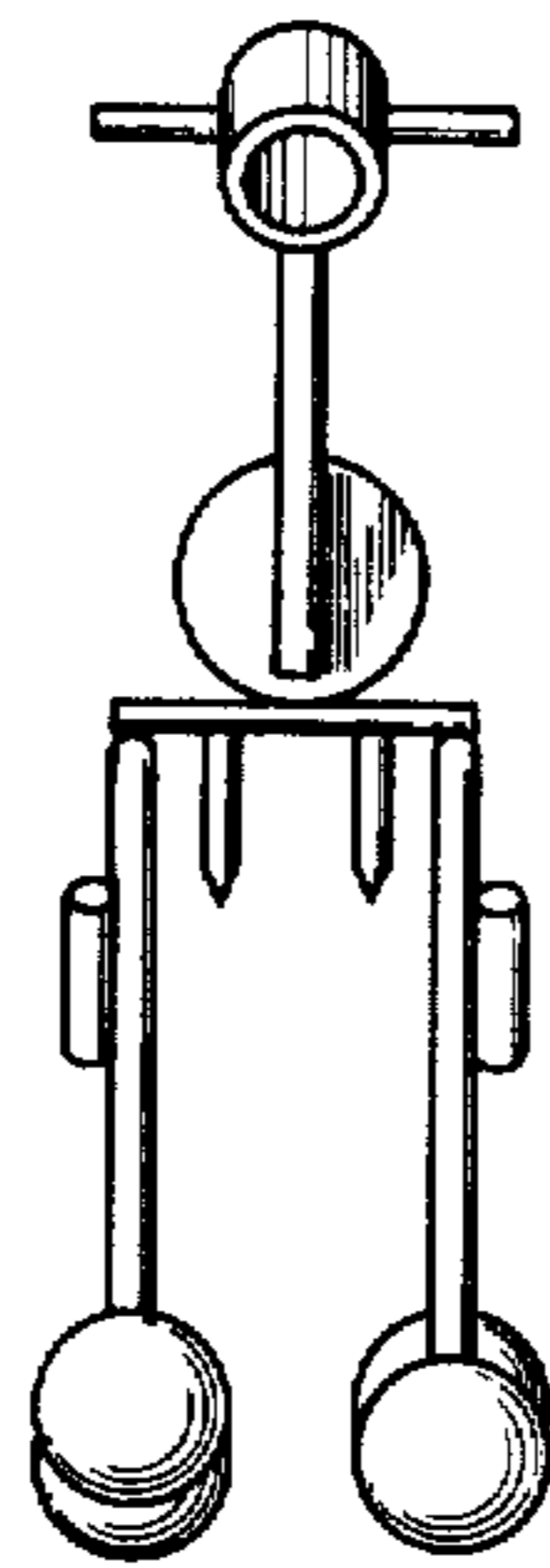


FIG. 5

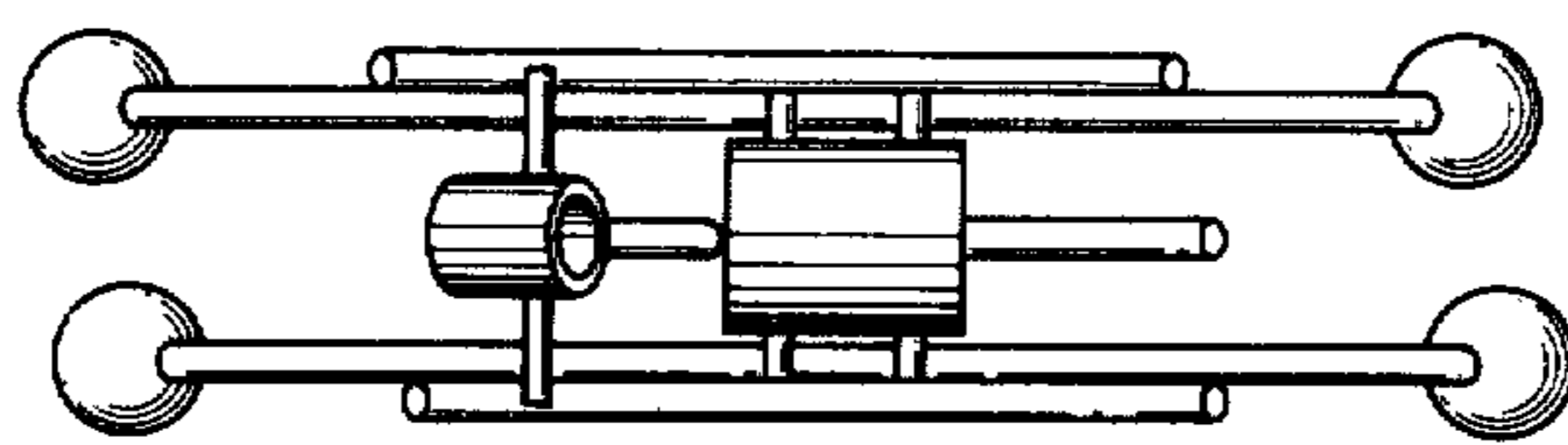


FIG. 6

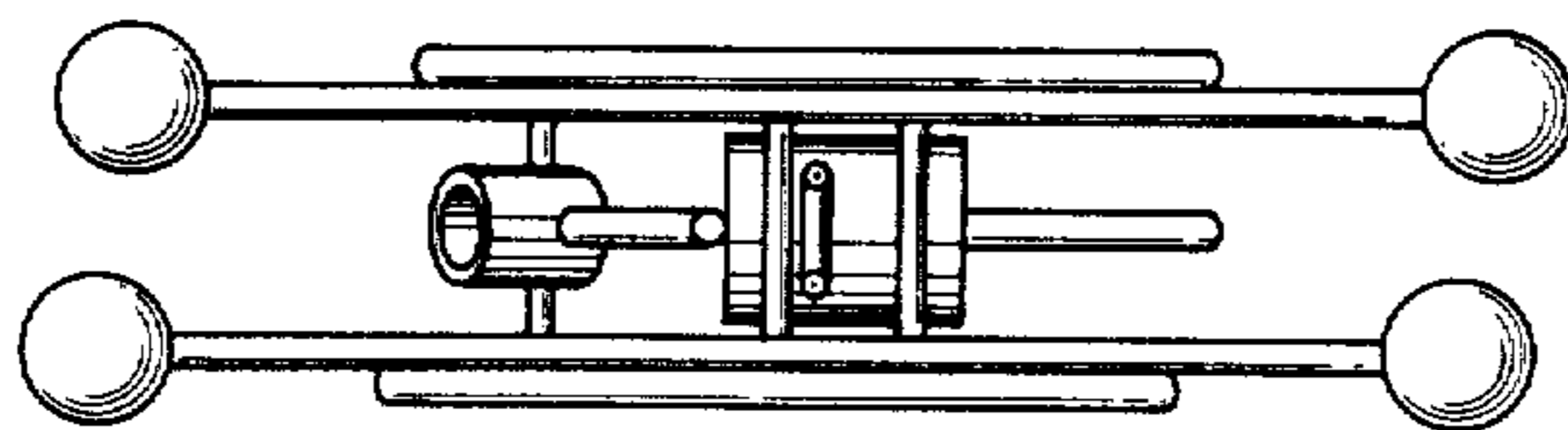


FIG. 7

