

[54] CARDHOLDER

[76] Inventors: Carl J. Ylvisaker, Rte. 3, Box 292 G, Hillsboro, Oreg. 97123; Paul E. Ylvisaker, 407 Jefferson St., Sisters, Oreg. 97759

[**] Term: 14 Years

[21] Appl. No.: 86,930

[22] Filed: Oct. 22, 1979

[51] Int. Cl. D20-03

[52] U.S. Cl. D20/42; D19/65; D20/40; D20/43

[58] Field of Search D20/40, 42, 43, 28; D19/34, 65, 75; D8/395; D2/428, 430; 40/10 R, 10 A, 10 B, 10 D; D7/72

[56] References Cited

U.S. PATENT DOCUMENTS

- D. 92,405 6/1934 Klebanow D20/28
- D. 145,705 10/1946 Woodley D19/65
- D. 175,981 11/1955 Rubeck D2/430

- D. 187,024 1/1960 Bryant D2/428
- D. 199,916 12/1964 Lester D7/72
- D. 232,776 9/1974 Ranseen D19/90

OTHER PUBLICATIONS

Gramme, Advertising Specialties ©1939, p. 35, Item No. 16194.

Primary Examiner—George P. Word
Attorney, Agent, or Firm—Kolisch, Hartwell & Dickinson

[57] CLAIM

The ornamental design for a cardholder, as shown and described.

DESCRIPTION

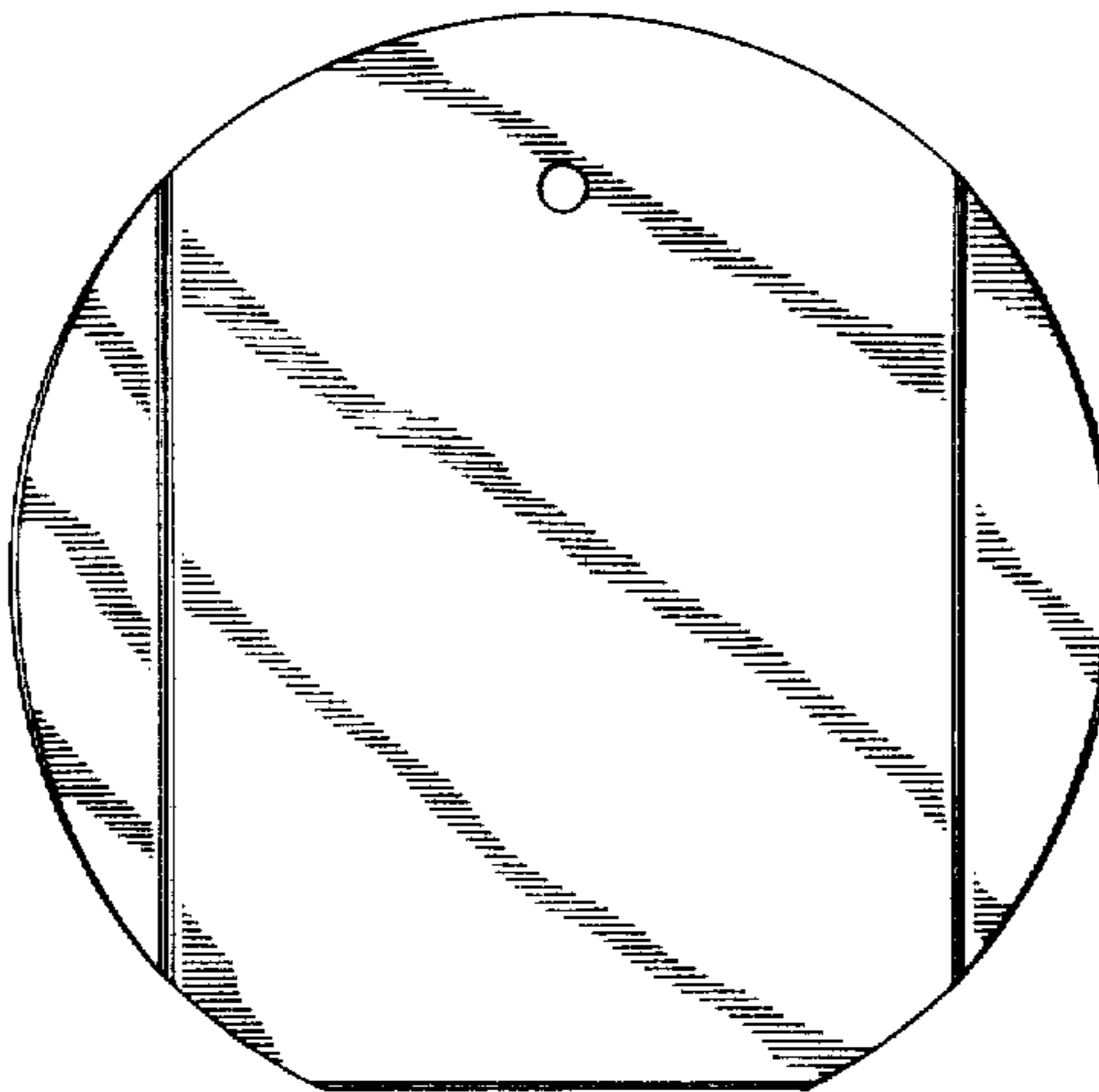
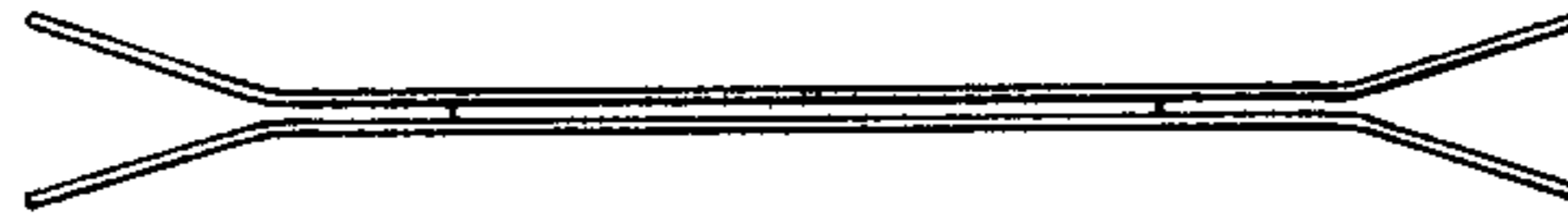
FIG. 1 is a front elevational view of a cardholder showing our new design, the rear elevational view being identical thereto;

FIG. 2 is a top plan view thereof;

FIG. 3 is a left side elevational view thereof;

FIG. 4 is a right side elevational view thereof; and

FIG. 5 is a bottom plan view thereof.



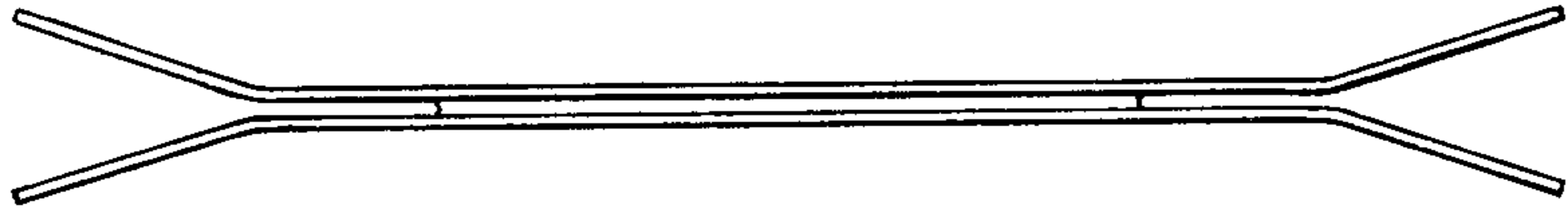


Fig. 2.

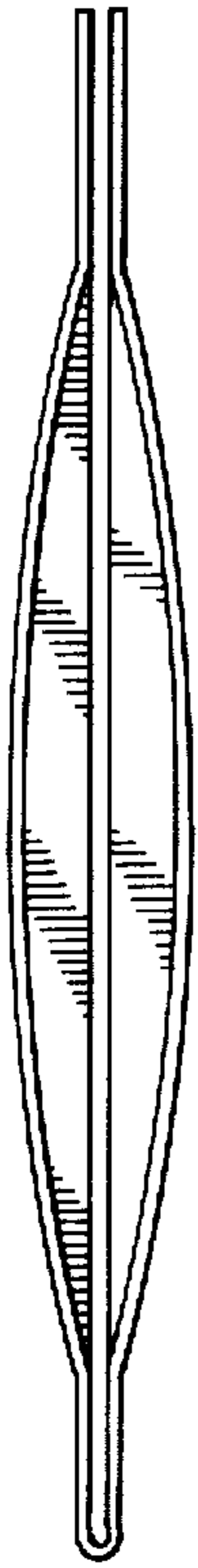


Fig. 3.

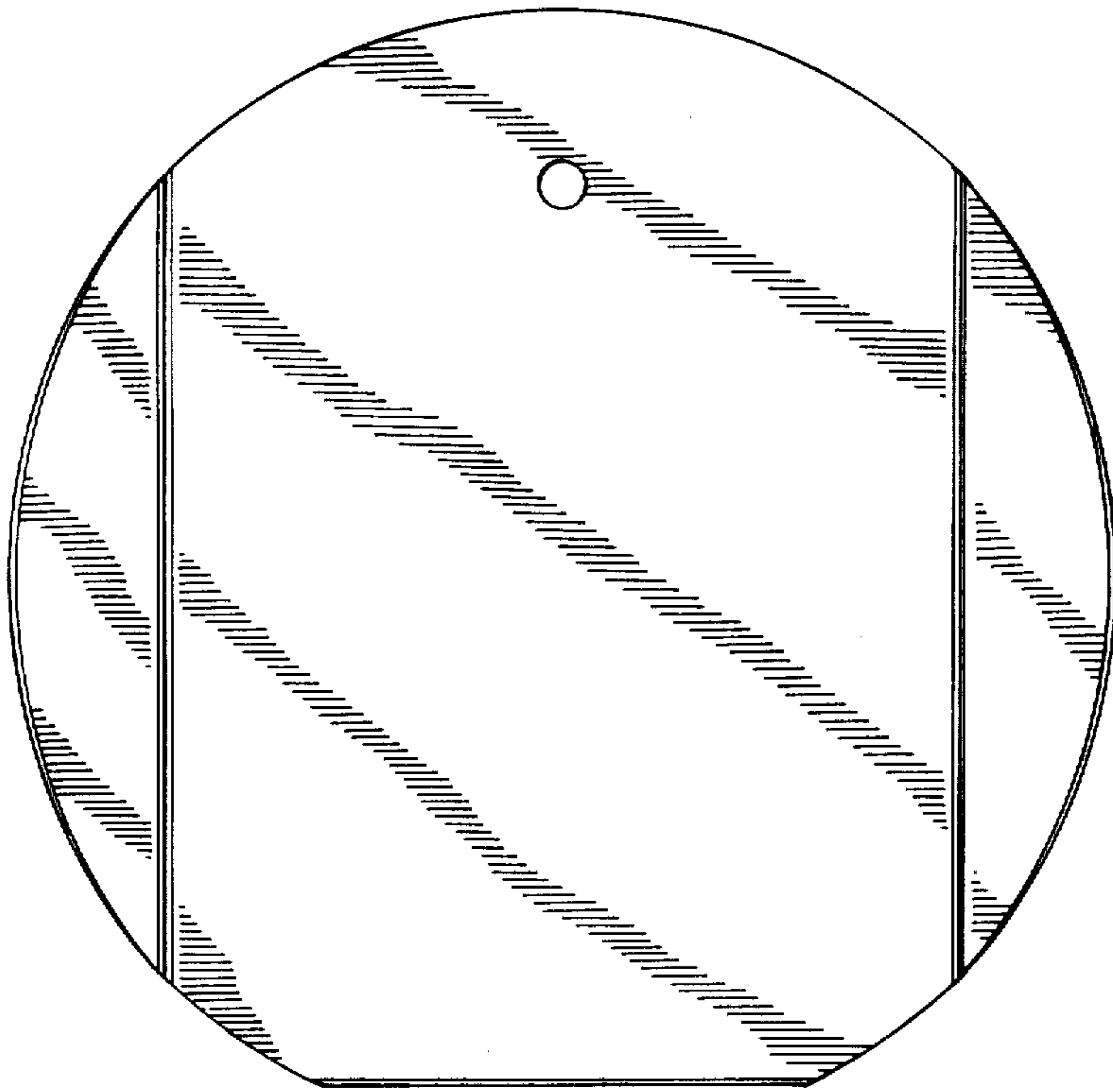


Fig. 1.

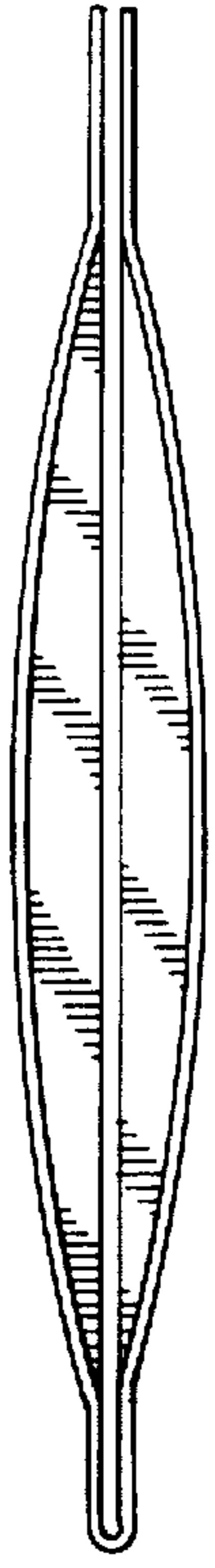


Fig. 4.

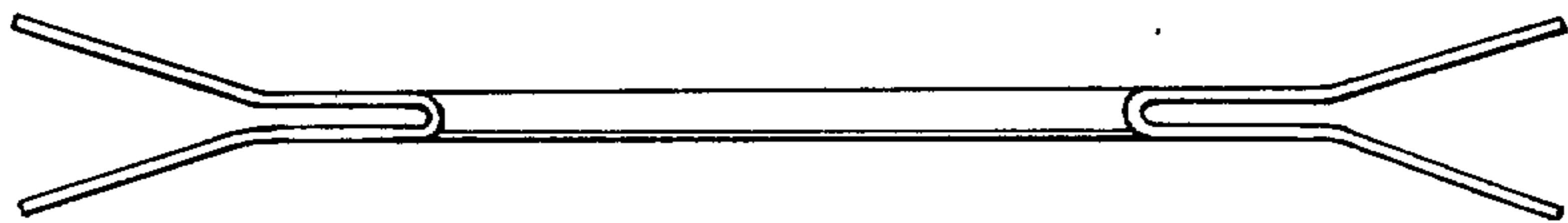


Fig. 5.