

[54] ILLUMINATED SIGN WITH CHANNELS FOR MOVEABLE CHARACTER PLATES

[76] Inventor: **Ralph Kutschmende**, 395 Manhattan Ave., Brooklyn, N.Y. 11211

[**] Term: **14 Years**

[21] Appl. No.: **103,179**

[22] Filed: **Dec. 13, 1979**

[51] Int. Cl. **D20-03**

[52] U.S. Cl. **D20/10**

[58] Field of Search D20/10, 12, 19, 41, D20/42; 40/446, 489, 490, 491, 541, 542, 549, 564, 572, 575, 576, 618

[56] **References Cited**

U.S. PATENT DOCUMENTS

D. 60,872 4/1922 Minoff D20/41 X

D. 202,760 11/1965 Speaect D20/41
D. 252,402 7/1979 Kutschmende D20/10
D. 252,579 8/1979 Kutschmende D20/10
D. 254,203 2/1980 Kutschmende D20/10
4,157,531 6/1979 Mont 40/489 X

Primary Examiner—Catherine E. Kemper

[57] **CLAIM**

The ornamental design for an illuminated sign with channels for moveable character plates, as shown and described.

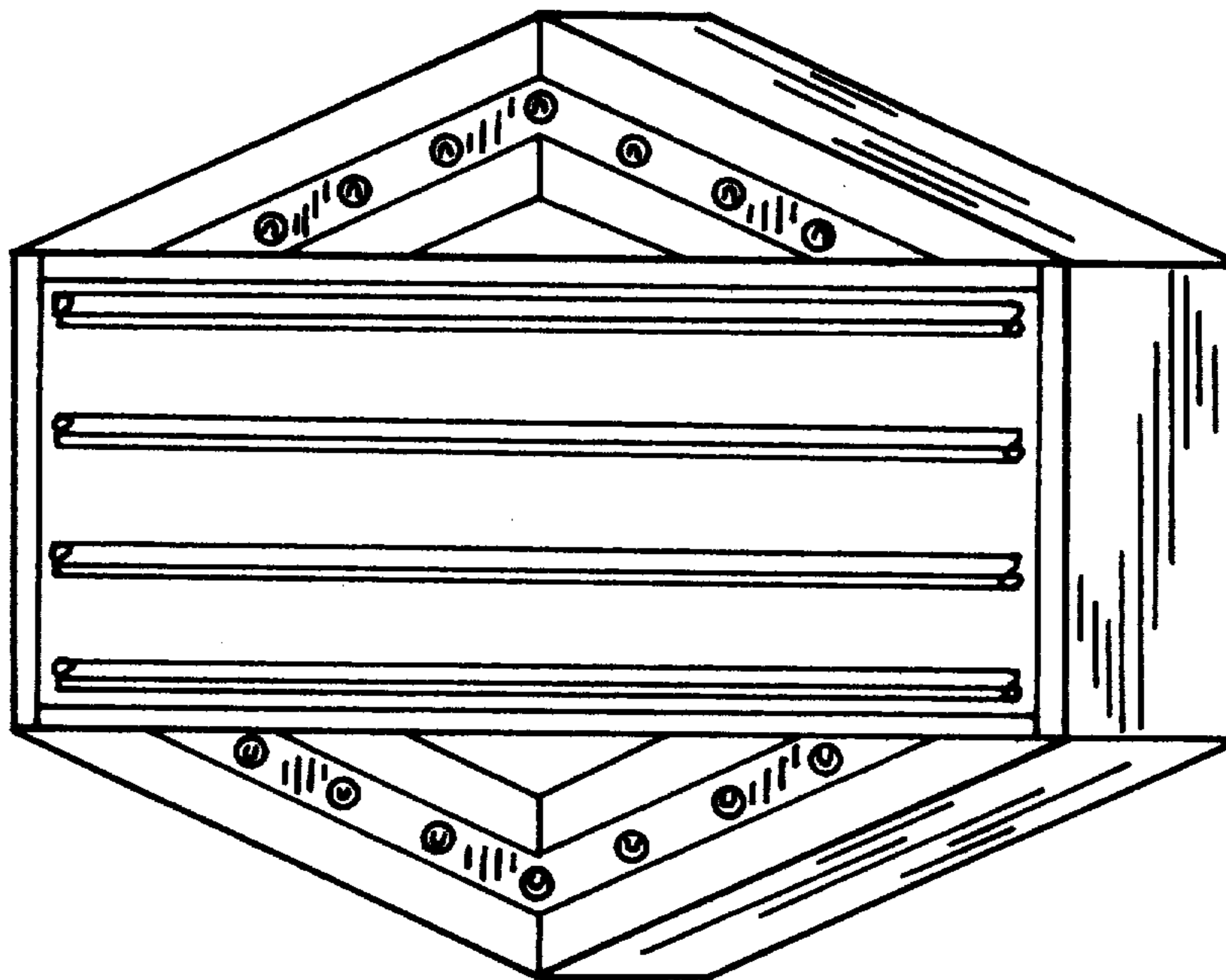
DESCRIPTION

FIG. 1 is a front perspective view of an illuminated sign with channels for moveable character plates showing my new design;

FIG. 2 is a top plan view thereof;

FIG. 3 is a left side elevational view thereof;

FIG. 4 is a rear elevational view thereof.



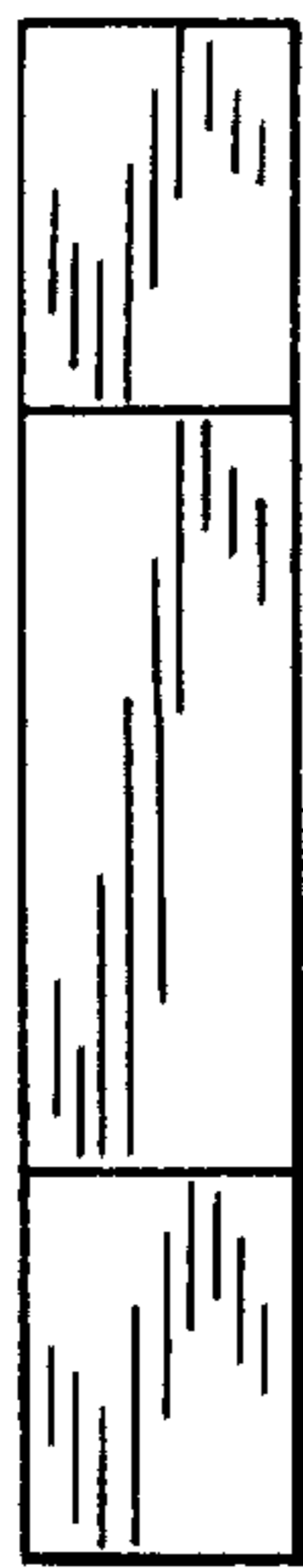


FIG. 3

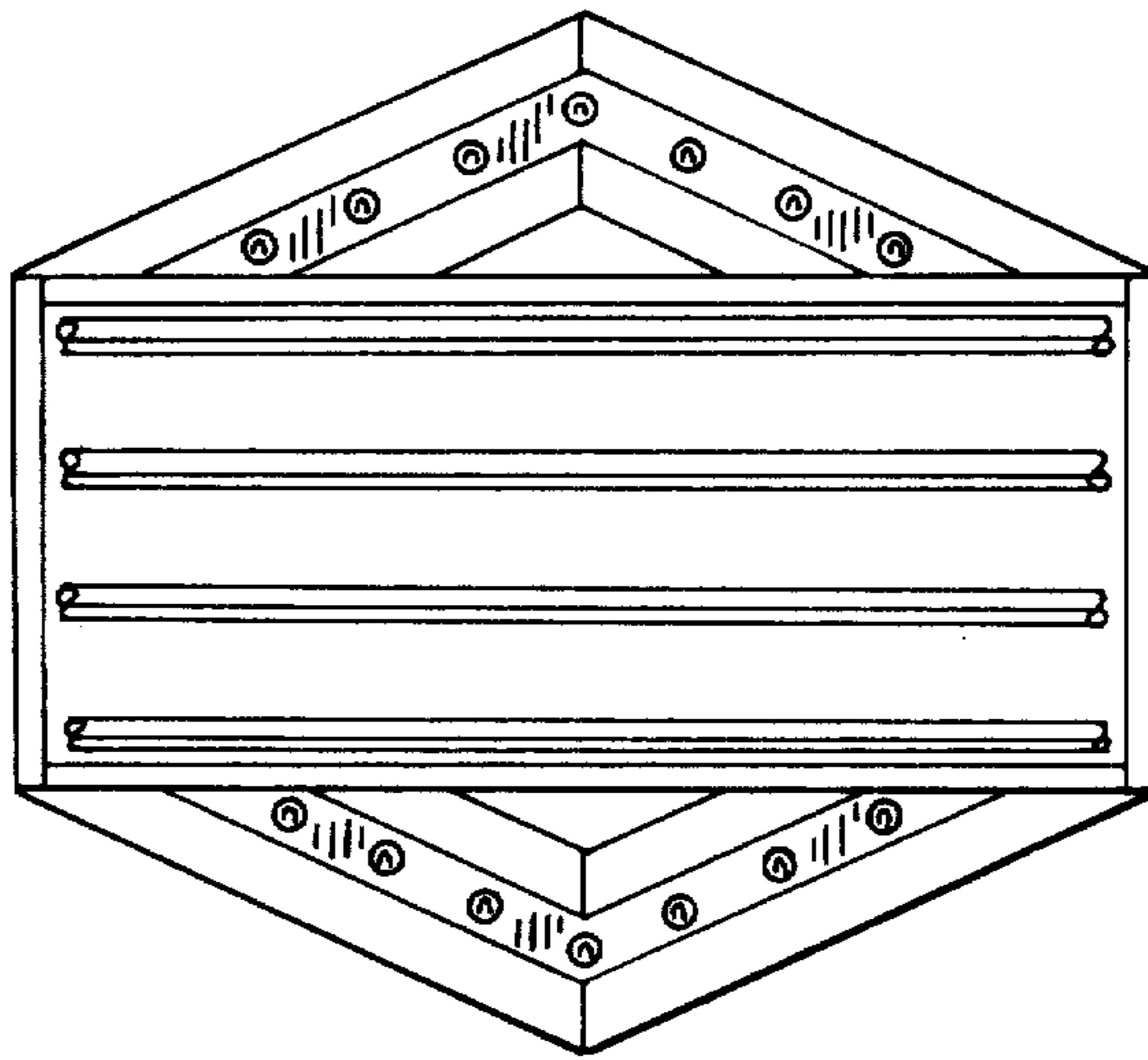


FIG. 4

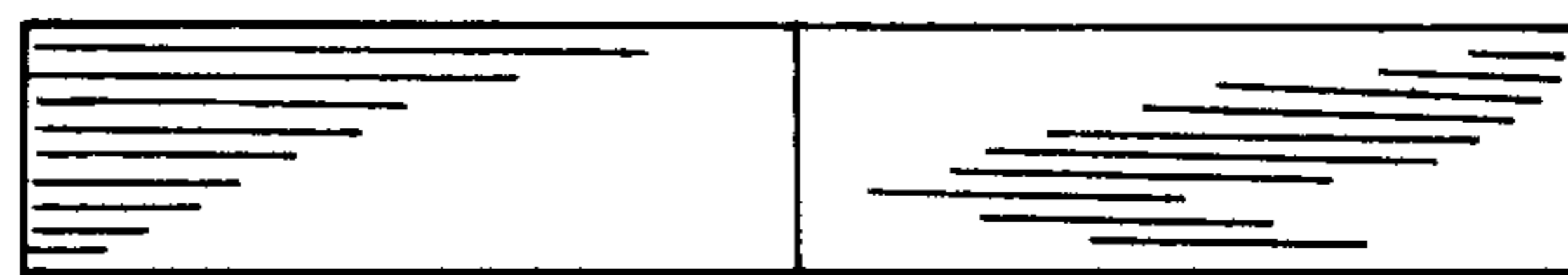


FIG. 2

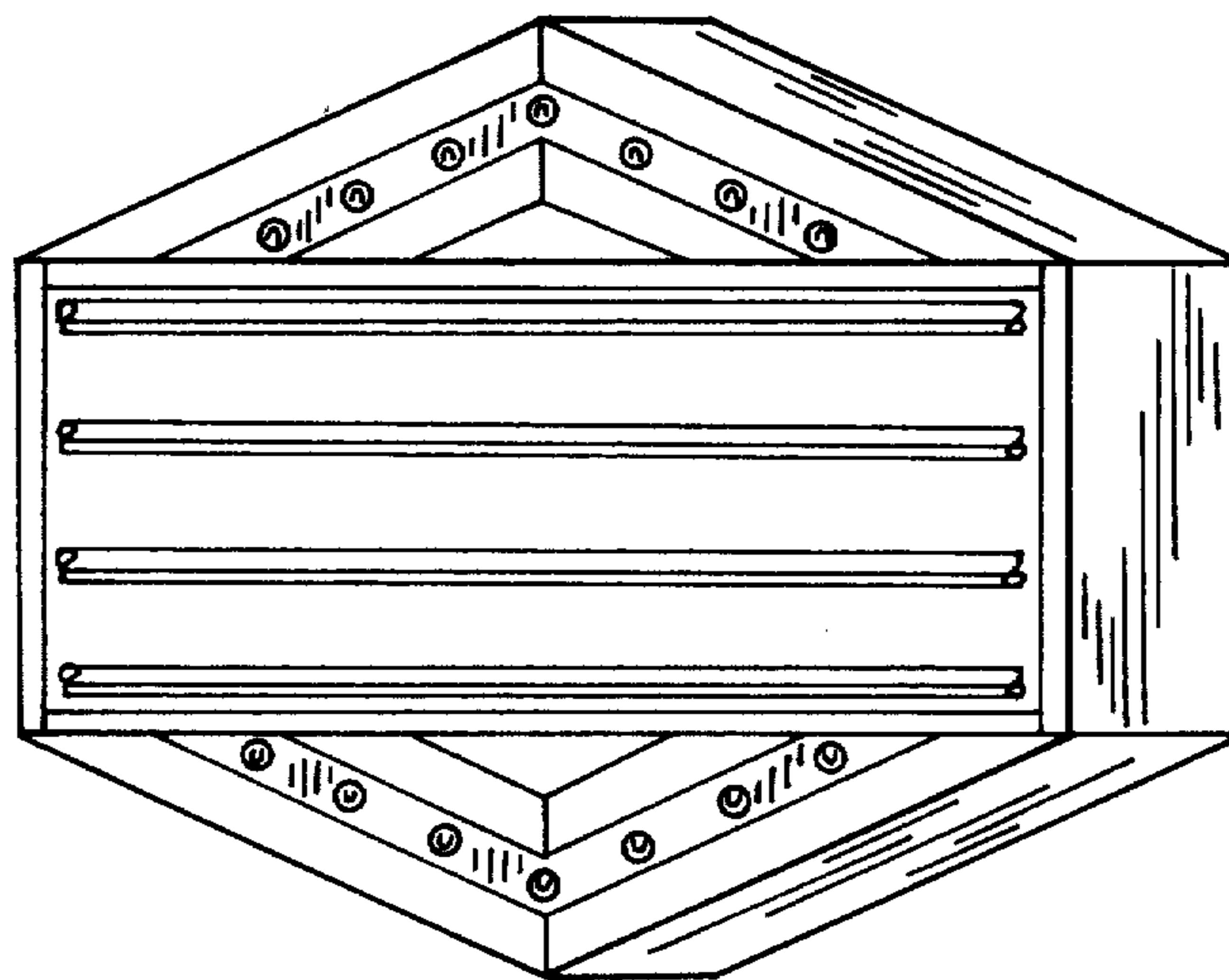


FIG. 1