

[54] MOUNTING BASE FOR MOTOR OPERATED VALVE

3,154,704 10/1964 Shafter 310/91
3,870,908 3/1975 Button et al. 310/91

[76] Inventors: Myron D. Markley, 126 Winthrop Ter., Meriden, Conn. 06450; Joseph M. Markley, River Rd., Essex, Conn. 06426

Primary Examiner—Peter M. Caun
Attorney, Agent, or Firm—Fishman and Van Kirk

[**] Term: 14 Years

[57] CLAIM

The ornamental design for a mounting base for motor operated valve, substantially as shown and described.

[21] Appl. No.: 101,085

DESCRIPTION

[22] Filed: Dec. 7, 1979

[51] Int. Cl. D13—99

[52] U.S. Cl. D13/1

[58] Field of Search D13/1, 2, 3; 310/91; 248/674

FIG. 1 is a side elevation view of the mounting base (shown mounted on a valve housing, and with a motor mounted on the base, with the valve housing and motor being shown in phantom);

FIG. 2 is a top plan view of the mounting base;

FIG. 3 is a side elevation view of the mounting base;

FIG. 4 is a bottom plan view of the mounting base (i.e., as seen by turning over the device shown in FIG. 2); and

FIG. 5 is a front elevation view of the mounting base (i.e., a view of FIG. 3 turned 90 degrees counterclockwise).

[56] References Cited

U.S. PATENT DOCUMENTS

1,739,082 12/1929 Simmons et al. 310/91
1,822,342 9/1931 Ehrlich 310/91
1,886,683 11/1932 Hueglin 310/91

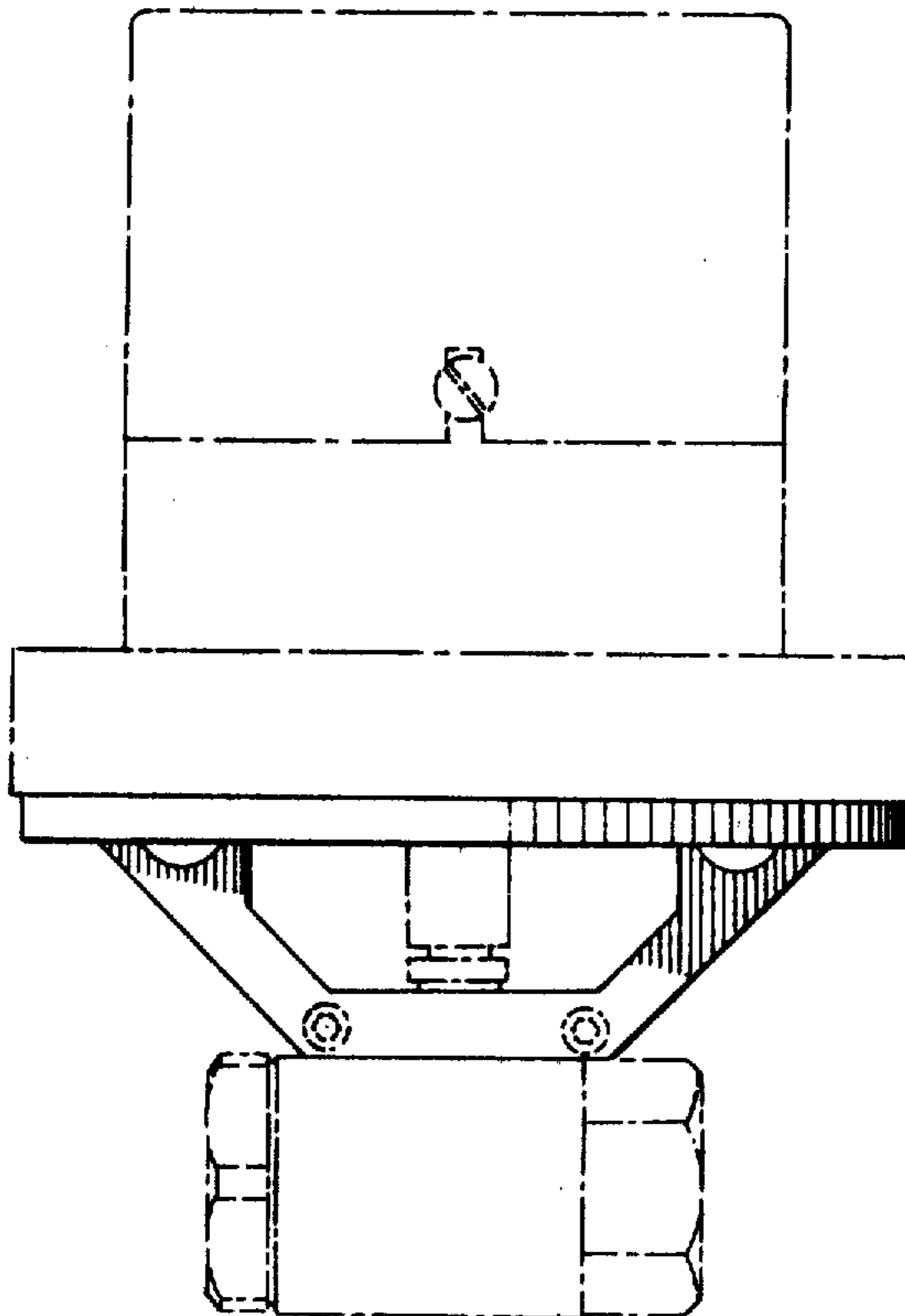


Fig. 1

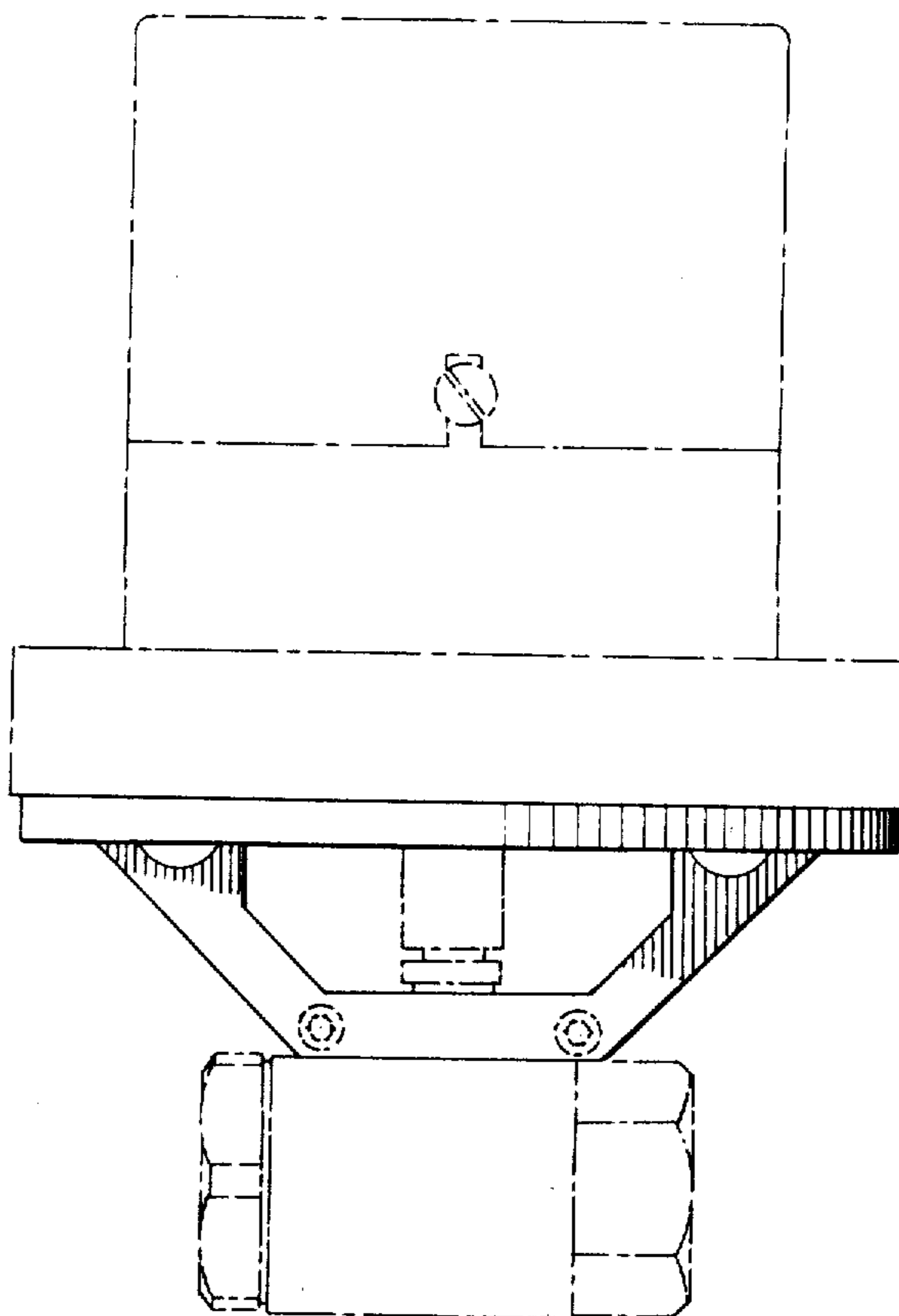


Fig. 2

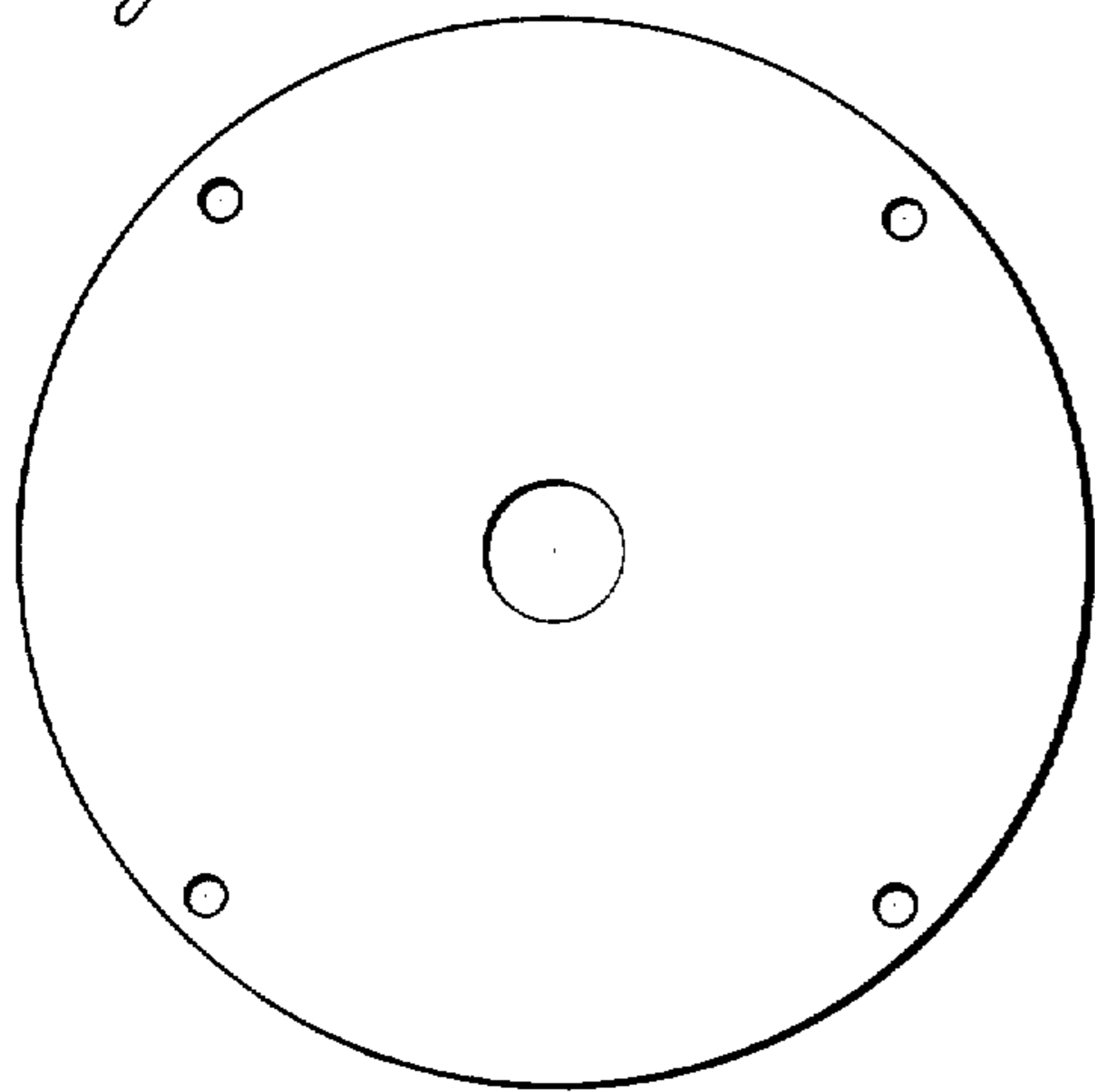


Fig. 4

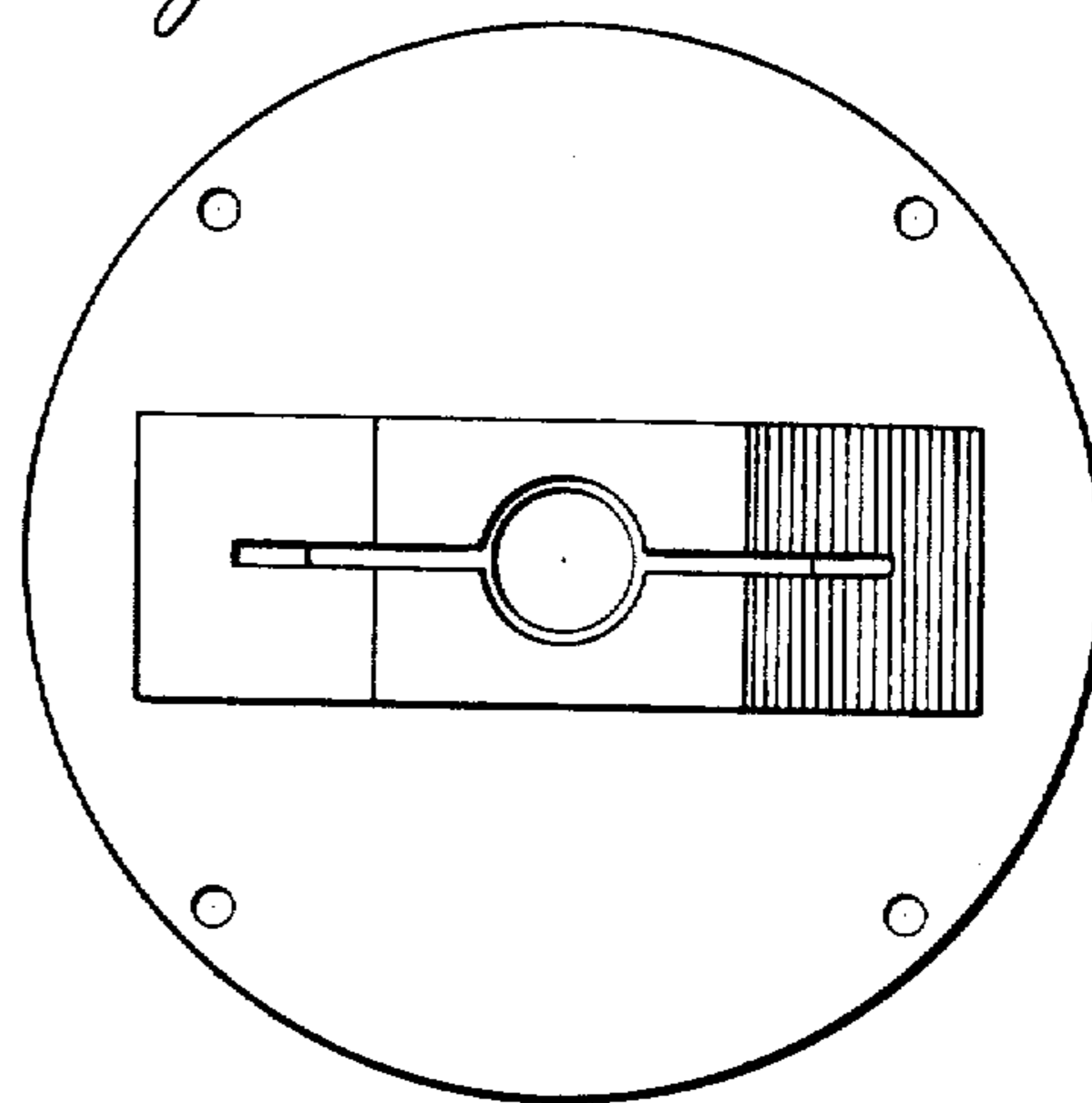


Fig. 3

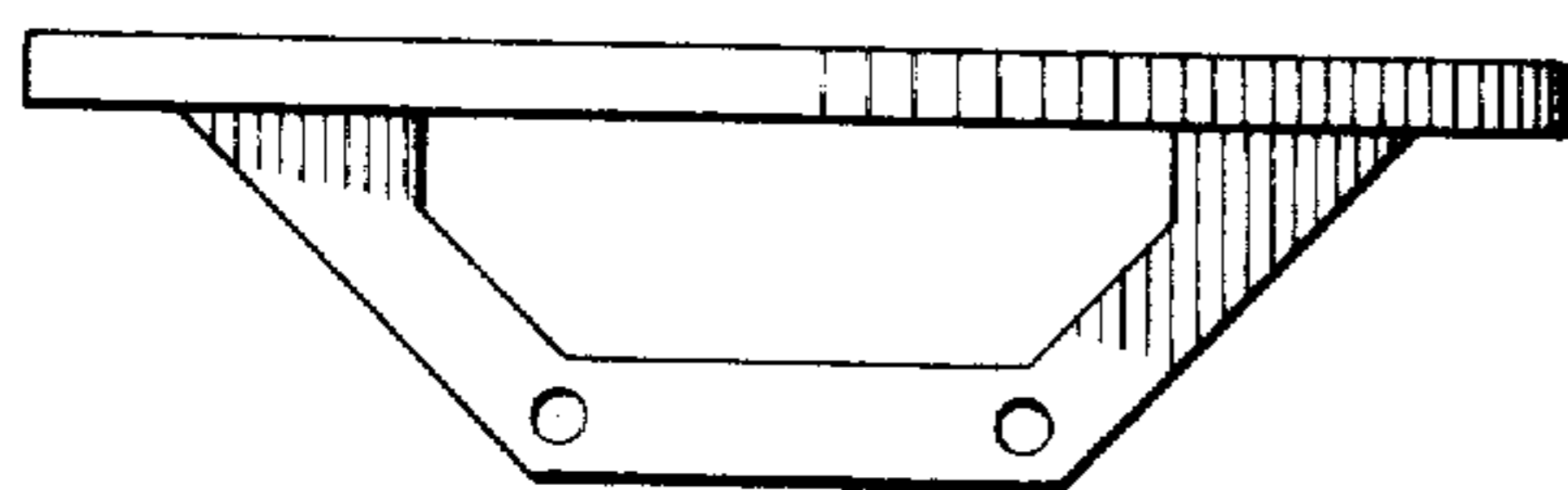


Fig. 5

