

[54] CHASSIS MOUNTED SUPERSTRUCTURE CARRYING FRAME FOR SOFT-TOP VEHICLES

[76] Inventor: Gerard J. Bernier, P.O. Box 504, 14 Middle St., Brunswick, Me. 04011

[**] Term: 14 Years

[21] Appl. No.: 936,001

[22] Filed: Aug. 23, 1978

[51] Int. Cl. D12-16

[52] U.S. Cl. D12/156

[58] Field of Search D12/156; 280/756; 296/137 R

[56] References Cited

U.S. PATENT DOCUMENTS

3,622,177 11/1971 Notestine 280/756

FOREIGN PATENT DOCUMENTS

622899 3/1927 France 280/756

Primary Examiner—James M. Gandy
Attorney, Agent, or Firm—Daniel H. Kane, Jr.

[57] CLAIM

The ornamental design for a chassis mounted superstructure carrying frame for soft-top vehicles, as shown and described.

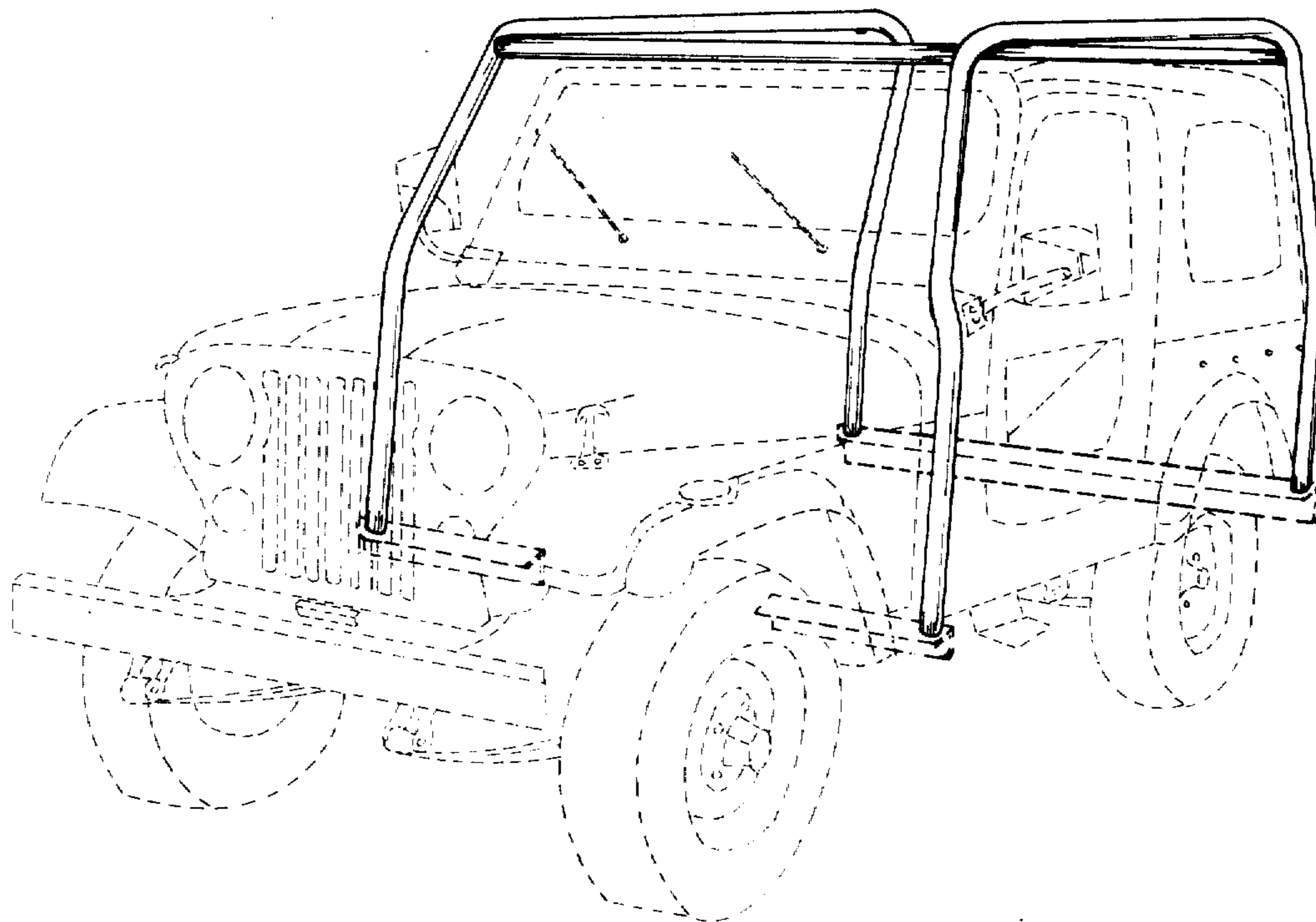
DESCRIPTION

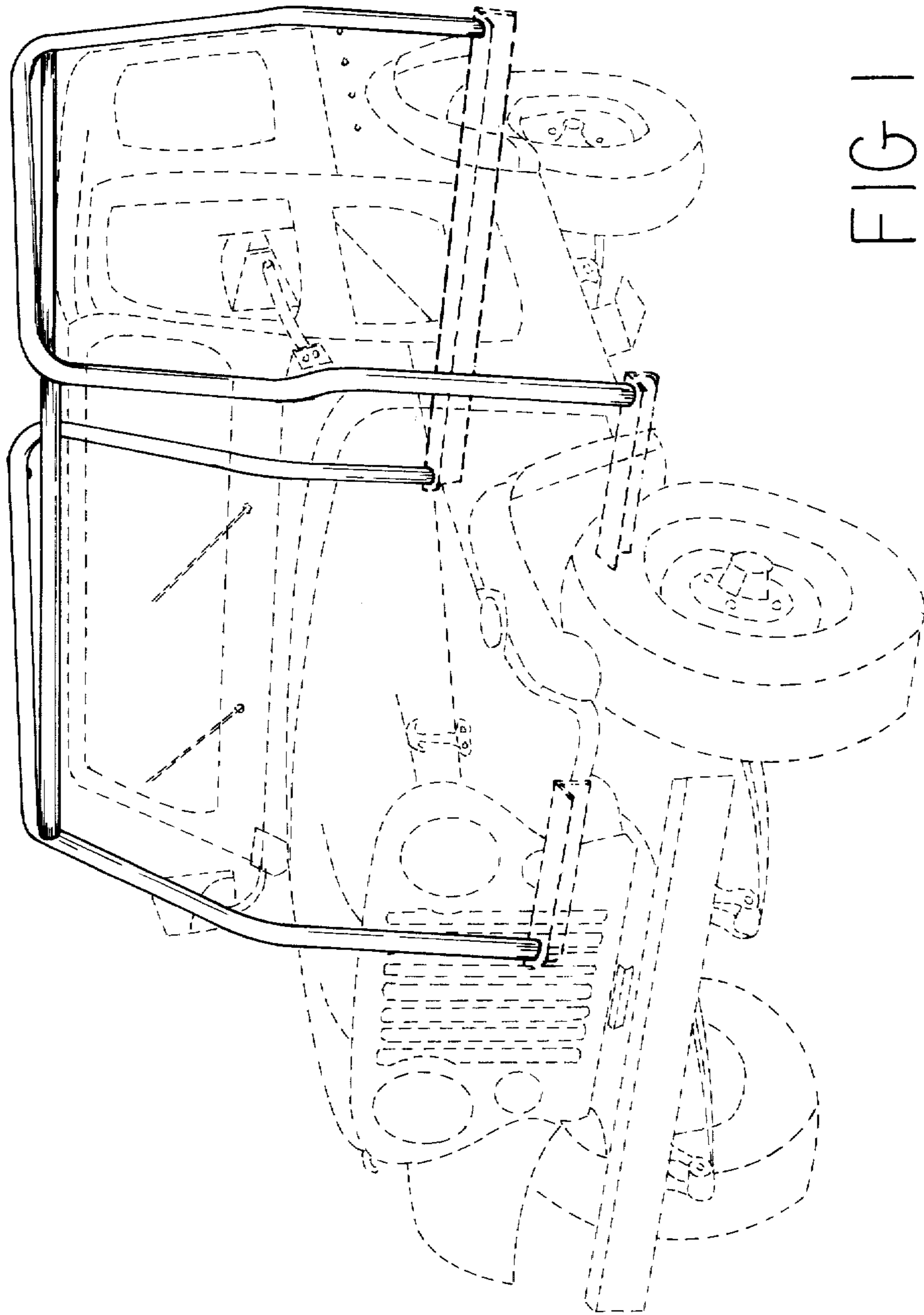
FIG. 1 is a perspective view of a chassis mounted superstructure carrying frame for soft top vehicles showing my new design, the broken lines being for illustrative purposes only;

FIG. 2 is a side elevational view thereof;

FIG. 3 is a front perspective view thereof; and

FIG. 4 is a rear perspective view thereof.





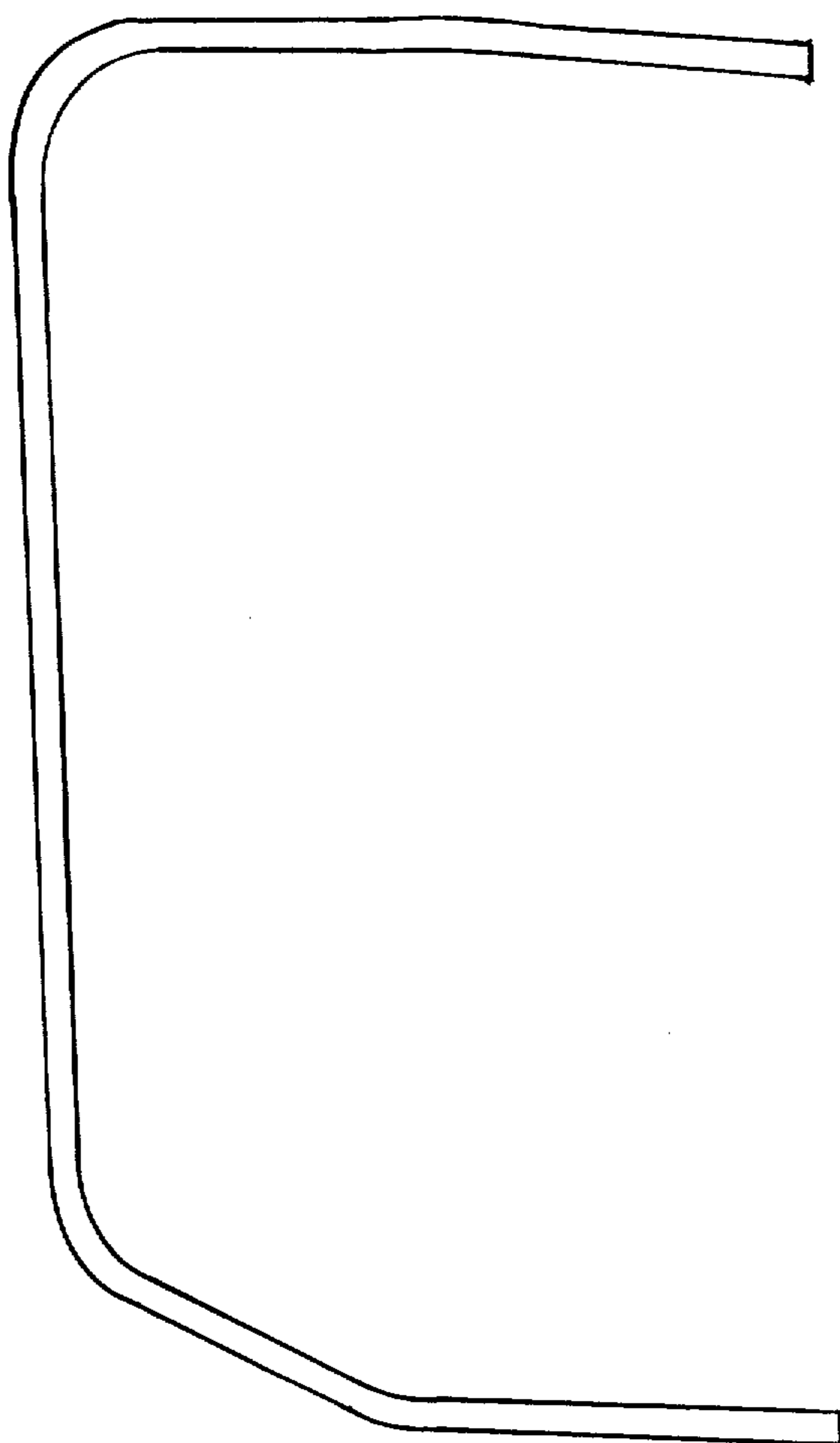


FIG 2

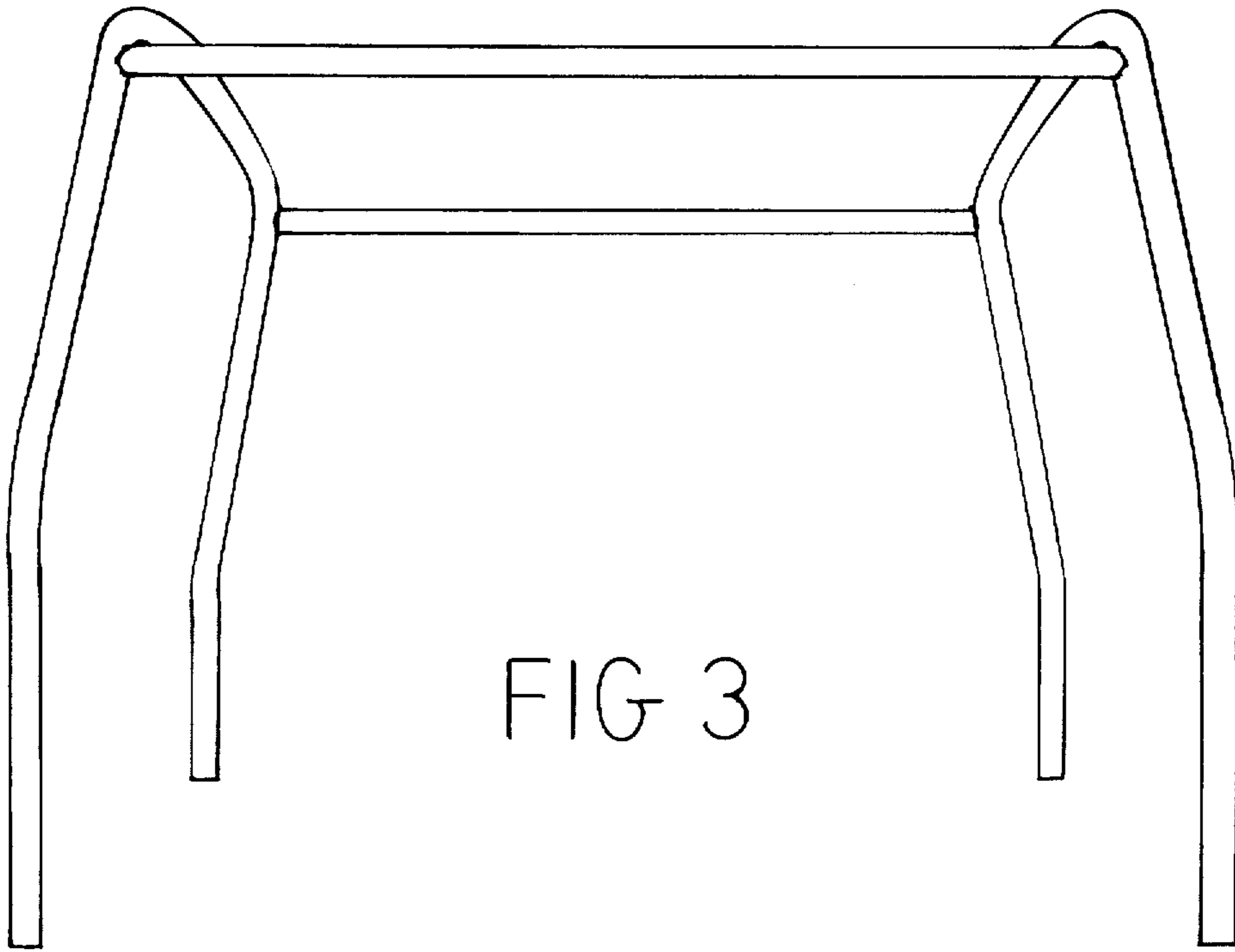


FIG 3

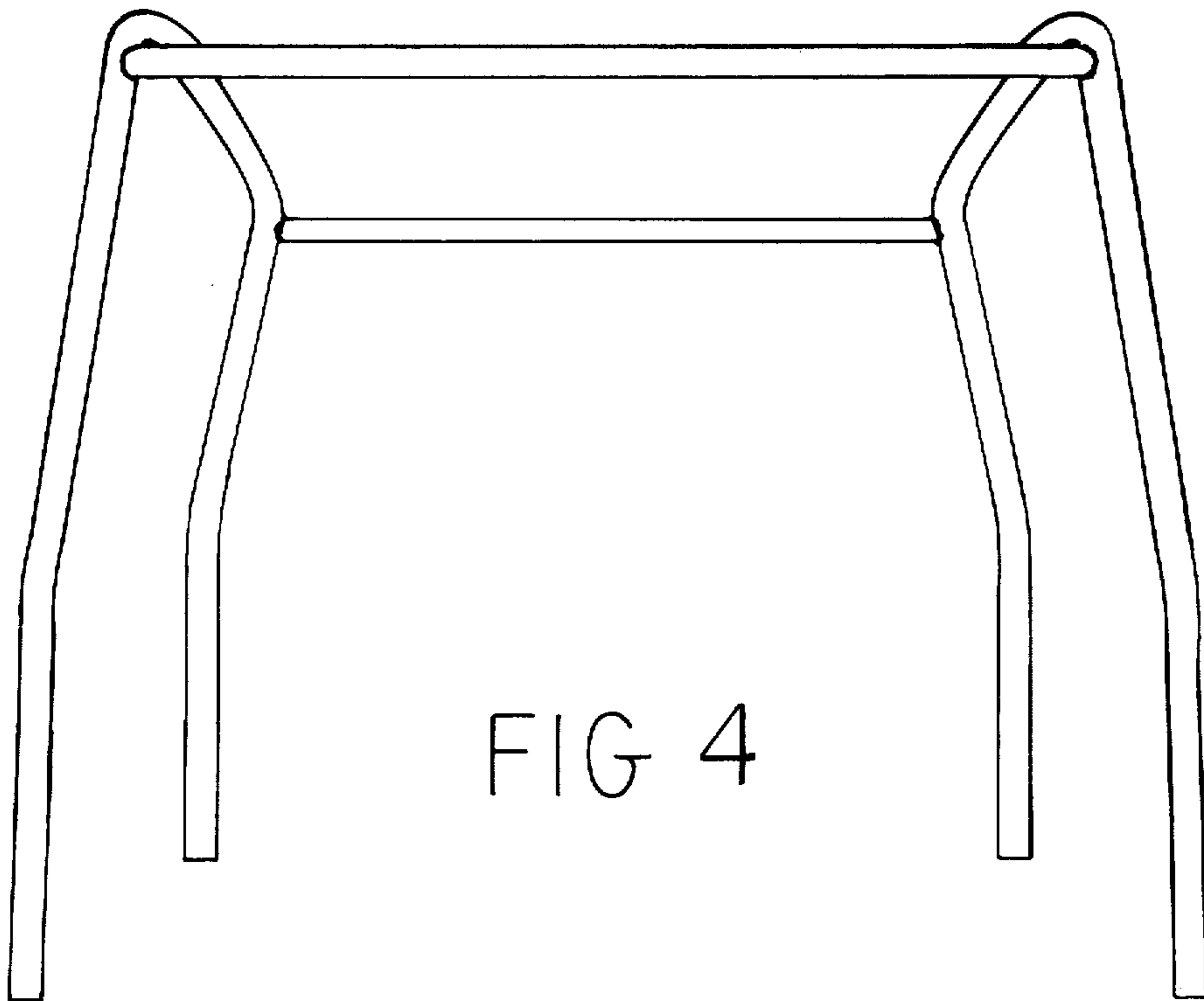


FIG 4