

[54] TIRE
 [76] Inventor: Joseph B. Nadler, 7657 Greenland Pl., Cincinnati, Ohio 45237
 [**] Term: 14 Years
 [21] Appl. No.: 11,795
 [22] Filed: Feb. 14, 1979
 [51] Int. Cl. D12-15
 [52] U.S. Cl. D12/137
 [58] Field of Search D12/137; 152/209 R, 152/209 A, 209 B, 209 D

D. 61,433 9/1922 Andrus D12/137
 D. 254,061 1/1980 Nadler D12/137

Primary Examiner—James M. Gandy
 Attorney, Agent, or Firm—Walter S. Murray

[57] CLAIM

The ornamental design for a tire, as shown and described.

DESCRIPTION

FIG. 1 is a perspective view of a tire showing my new design, it being understood that the tread design is repeated throughout the circumference of the tire as shown schematically in solid lines, the opposite side being substantially the same as the side shown.

FIG. 2 is an enlarged cross sectional view thereof taken on line 2—2 of FIG. 1.

[56] References Cited
 U.S. PATENT DOCUMENTS
 D. 57,881 5/1921 Basten D12/137

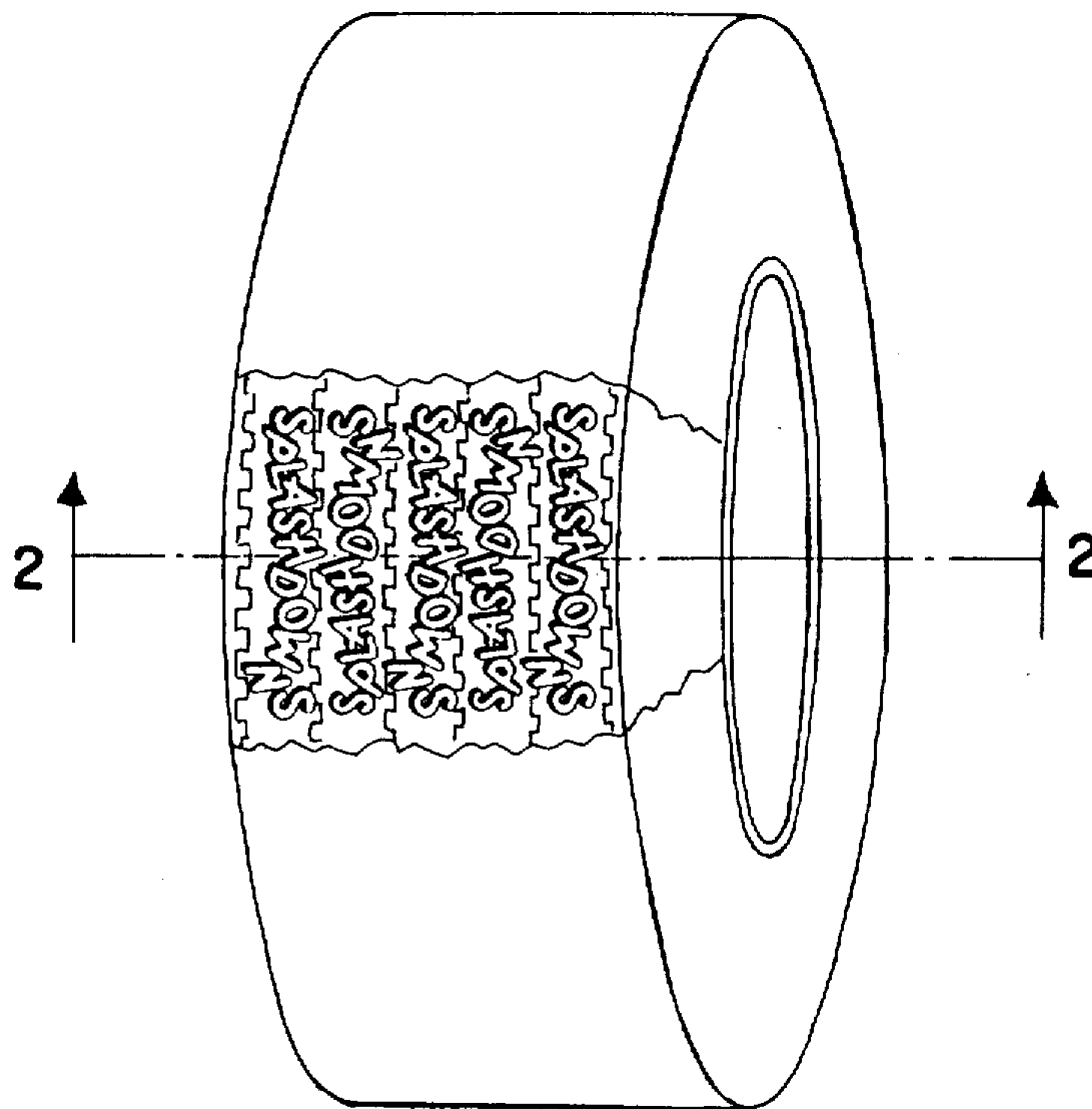


FIG. 1

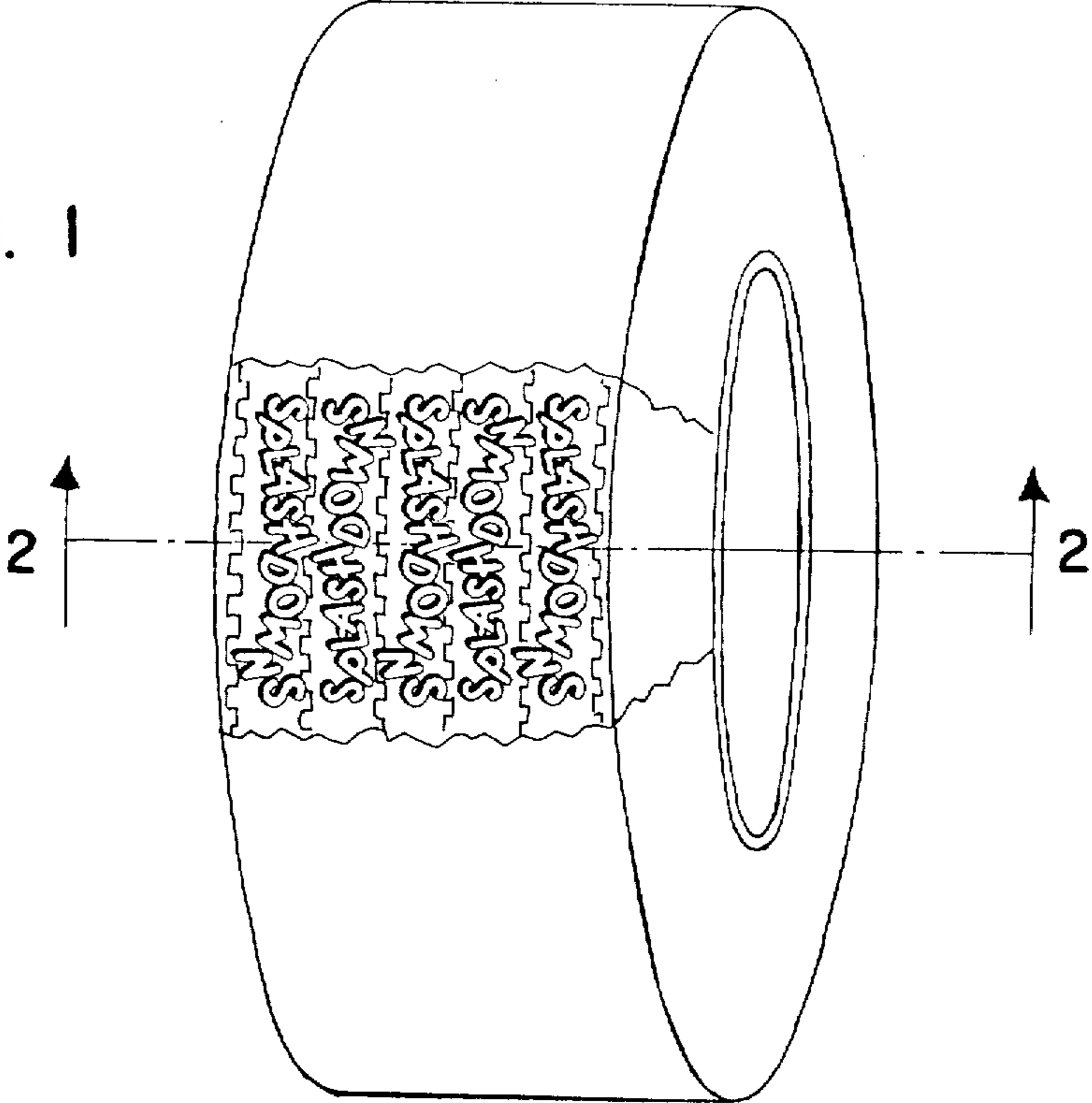


FIG. 2

