

[54] CHRISTMAS DECORATION

[75] Inventor: Jack Burnbaum, Newton, Mass.  
[73] Assignee: Bradford Novelty Co., Inc., Boston, Mass.  
[\*\*] Term: 14 Years  
[21] Appl. No.: 125,903  
[22] Filed: Feb. 29, 1980

[51] Int. Cl. .... D11-05  
[52] U.S. Cl. .... D11/124; D11/125  
[58] Field of Search ..... D11/117-121, D11/124-125, 130; 428/7-9, 11, 28

[56] References Cited

U.S. PATENT DOCUMENTS

2,345,517 3/1944 Weiss ..... 428/11 X  
2,357,425 9/1944 Price ..... 428/11

OTHER PUBLICATIONS

Bradford 1974 Xmas Catalog, p. 3-Item No. 50 at bottom right.

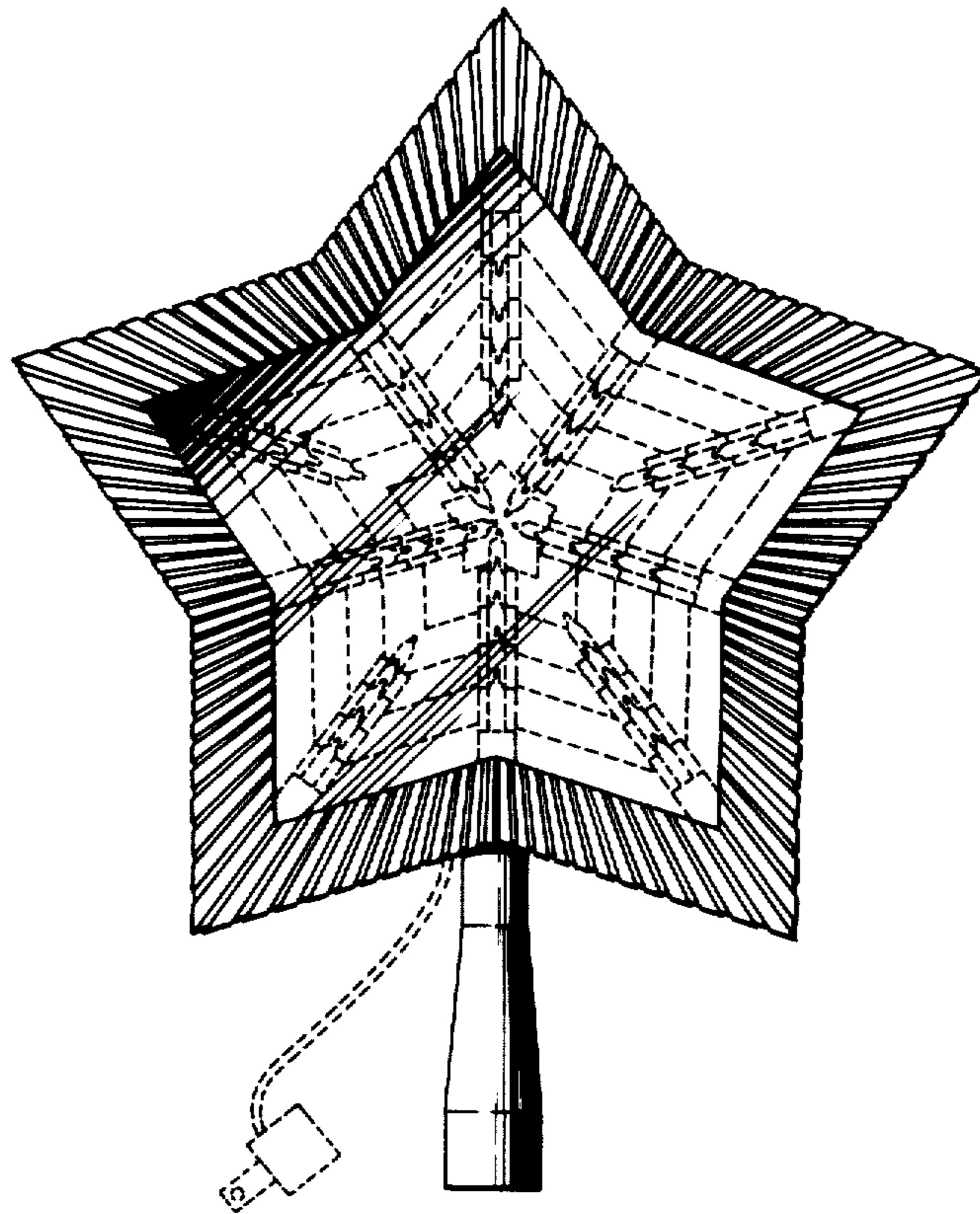
Primary Examiner—Louis S. Zarfes  
Attorney, Agent, or Firm—Wolf, Greenfield & Sacks

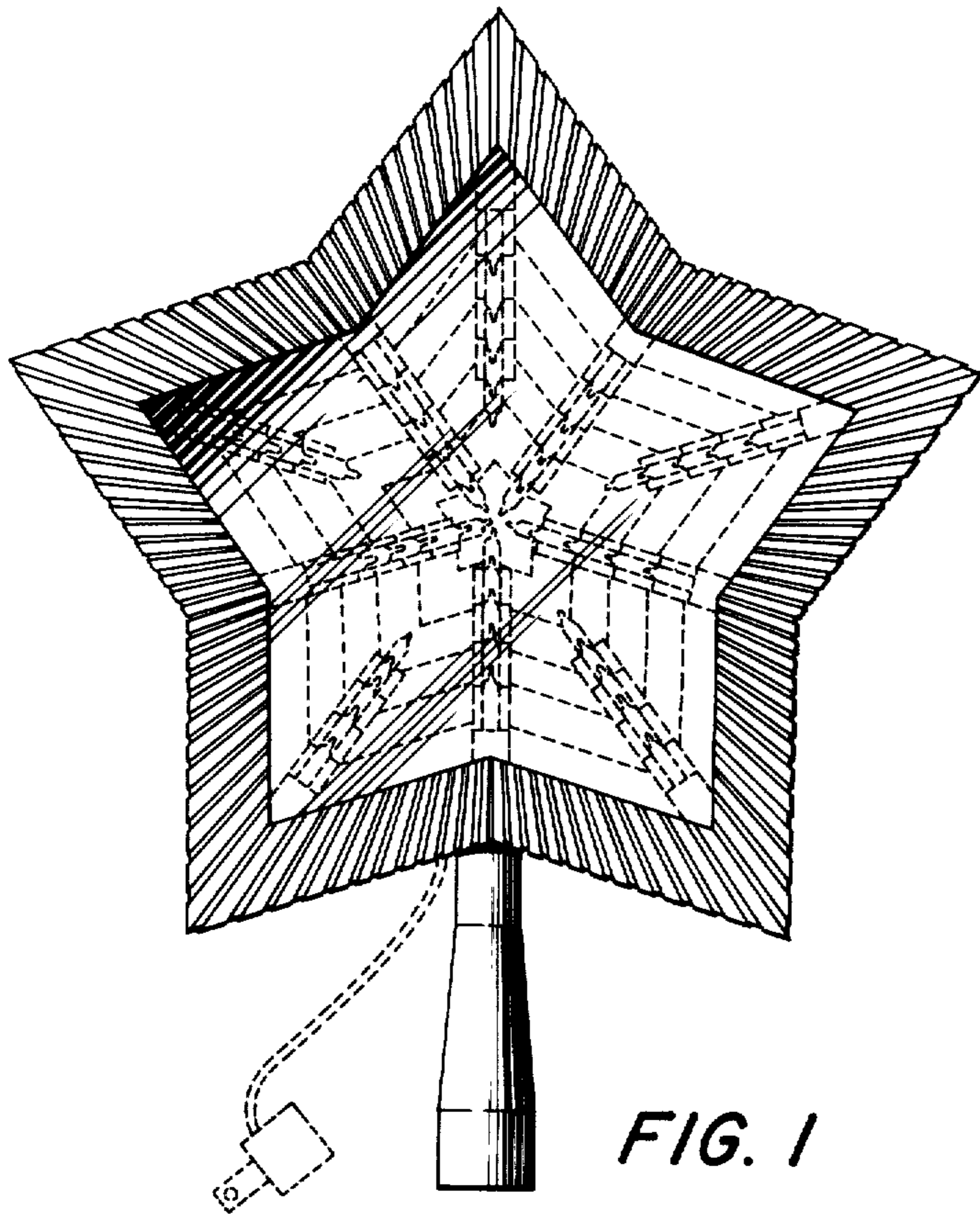
[57] CLAIM

The ornamental design for a Christmas decoration, as shown and described.

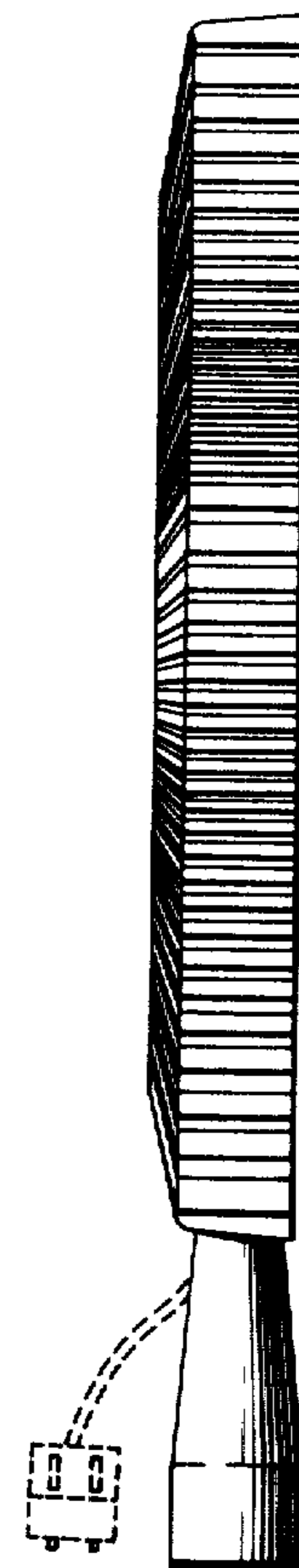
DESCRIPTION

FIG. 1 is a front elevational view of a Christmas decoration showing my new design; FIG. 2 is a rear elevational view thereof; and FIG. 3 is a right side elevational view thereof. The left side elevational view of the Christmas decoration is the mirror image of the right side elevational view shown in FIG. 2. The structure shown in phantom is for illustrative purposes only.

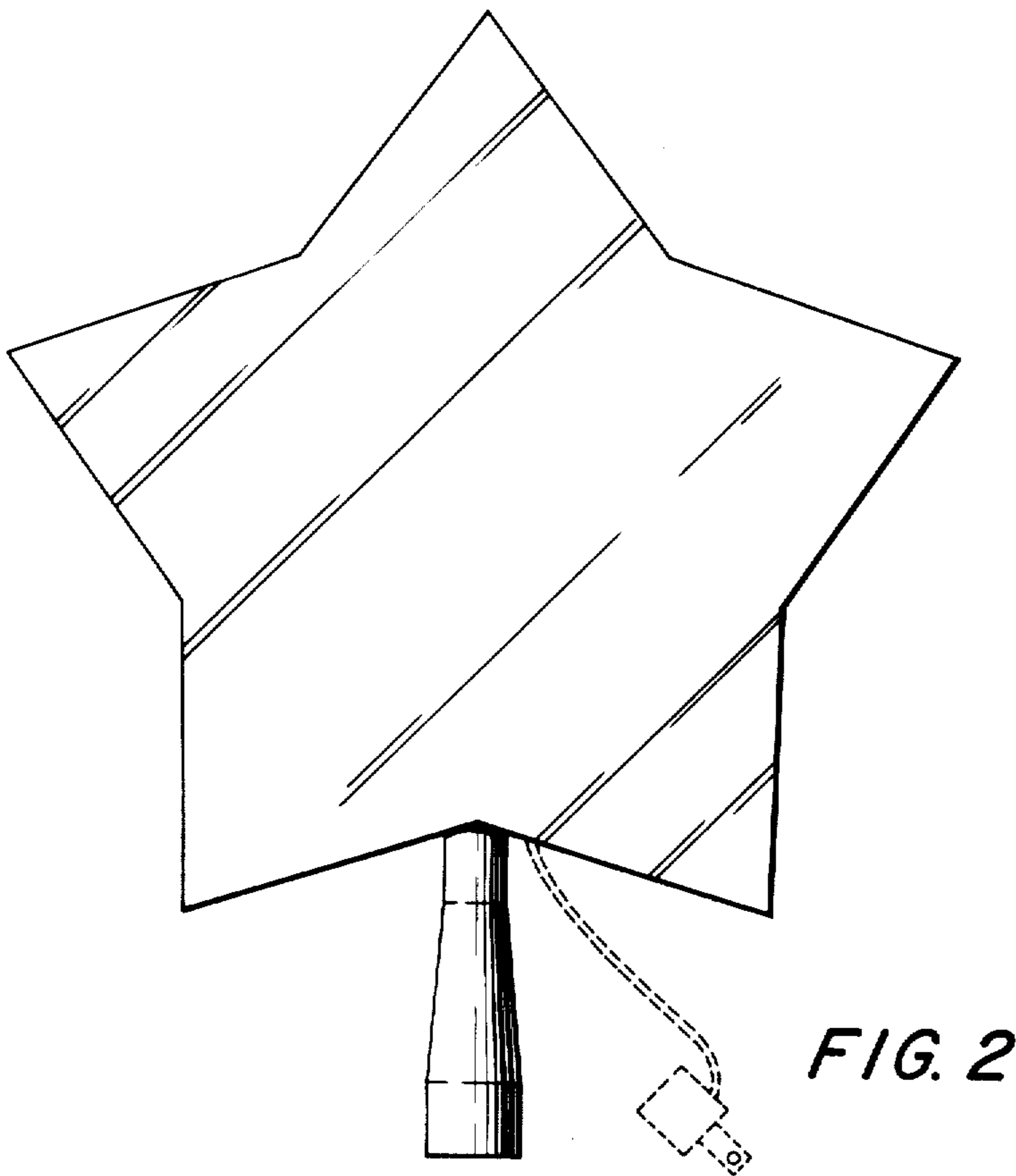




*FIG. 1*



*FIG. 3*



*FIG. 2*