

[54] CONTAINER FOR LIQUIDS

[76] Inventor: Kiyoshi Sadow, P.O. Box 24158, Houston, Tex. 77029

[**] Term: 14 Years

[21] Appl. No.: 87,083

[22] Filed: Oct. 22, 1979

[51] Int. Cl. D9-01

[52] U.S. Cl. D9/376; D9/381

[58] Field of Search D9/375, 376, 378-383, D9/337; D23/2; 215/1 R, 1 C

[56] References Cited

U.S. PATENT DOCUMENTS

- D. 220,084 3/1971 Goodrich D23/2
- D. 229,483 12/1973 Cutler D9/376
- D. 248,830 8/1978 Anderson D9/376

- D. 252,257 7/1979 Dobbs D9/376
- 3,410,438 11/1968 Bartz D9/378 X

Primary Examiner—Robert C. Spangler
Attorney, Agent, or Firm—Pravel, Gambrell, Hewitt, Kirk, Kimball & Dodge

[57] CLAIM

The ornamental design for a container for liquids, substantially as shown and described.

DESCRIPTION

FIG. 1 is a top perspective view of a container for liquids showing my new design;
 FIG. 2 is a bottom perspective view showing the side and end not seen in FIG. 1;
 FIG. 3 is a top plan view;
 FIG. 4 is a side elevational view; and
 FIG. 5 is an elevational view looking from the right of FIG. 4.

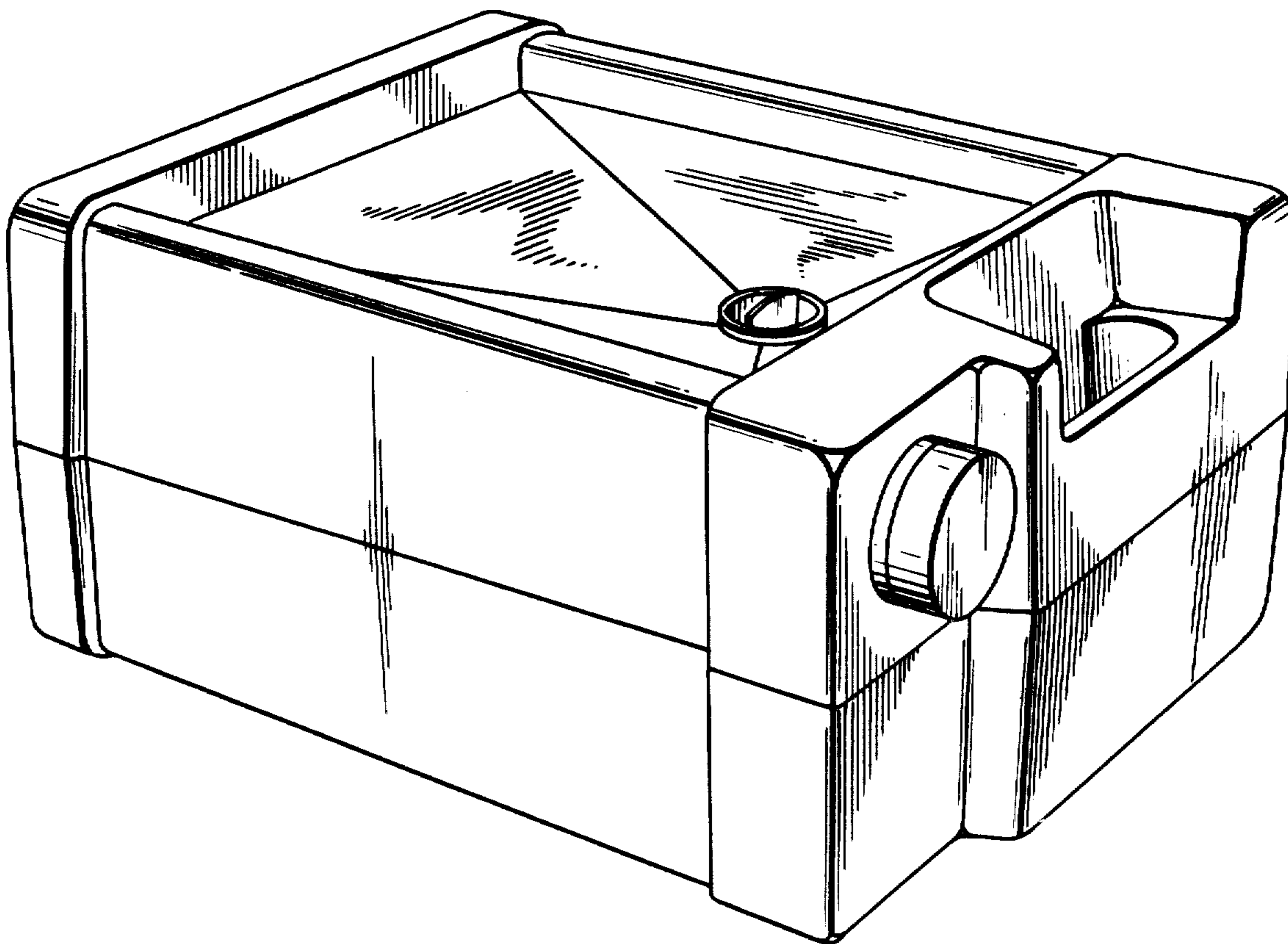


Fig. 1

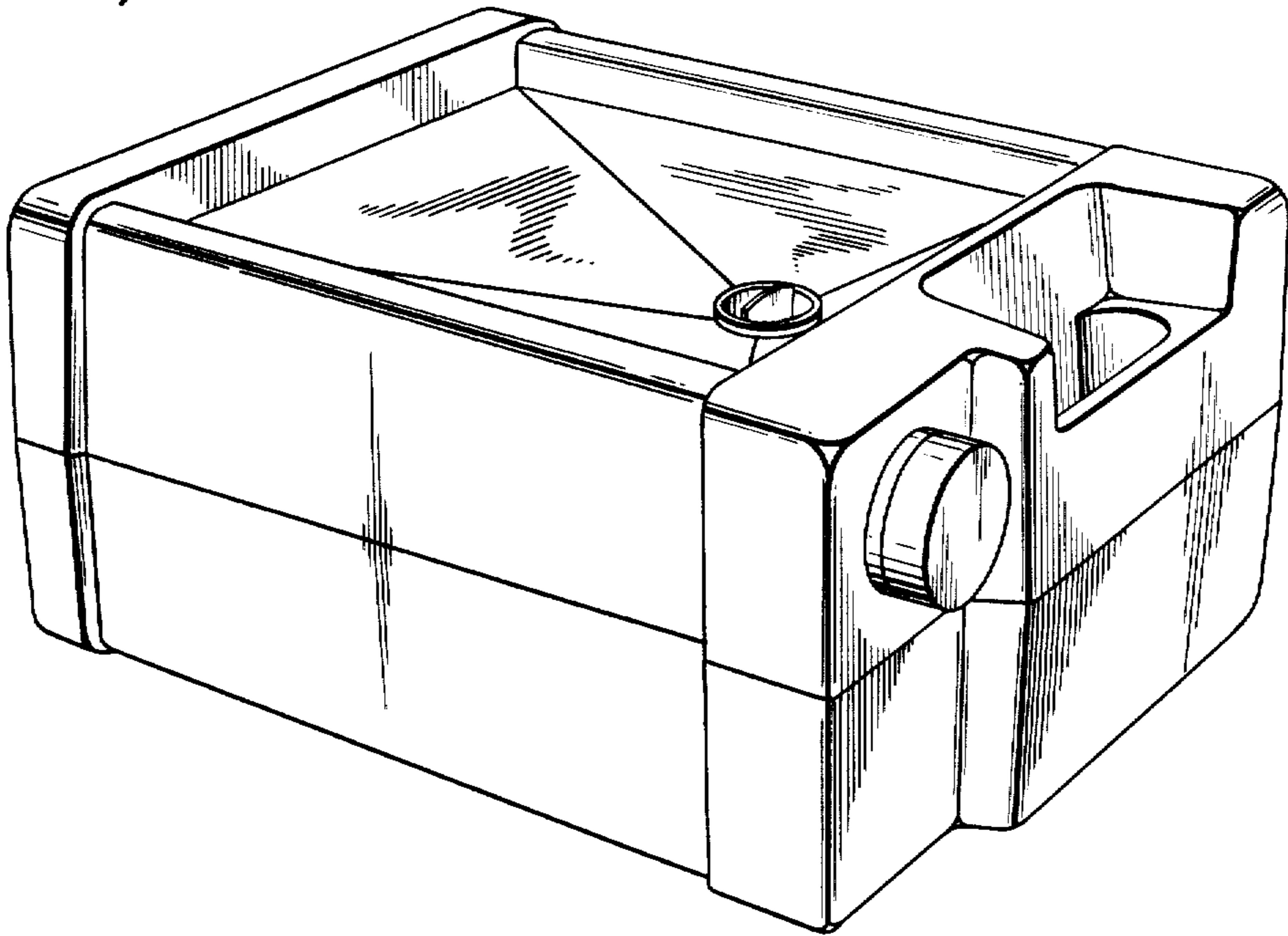


Fig. 2

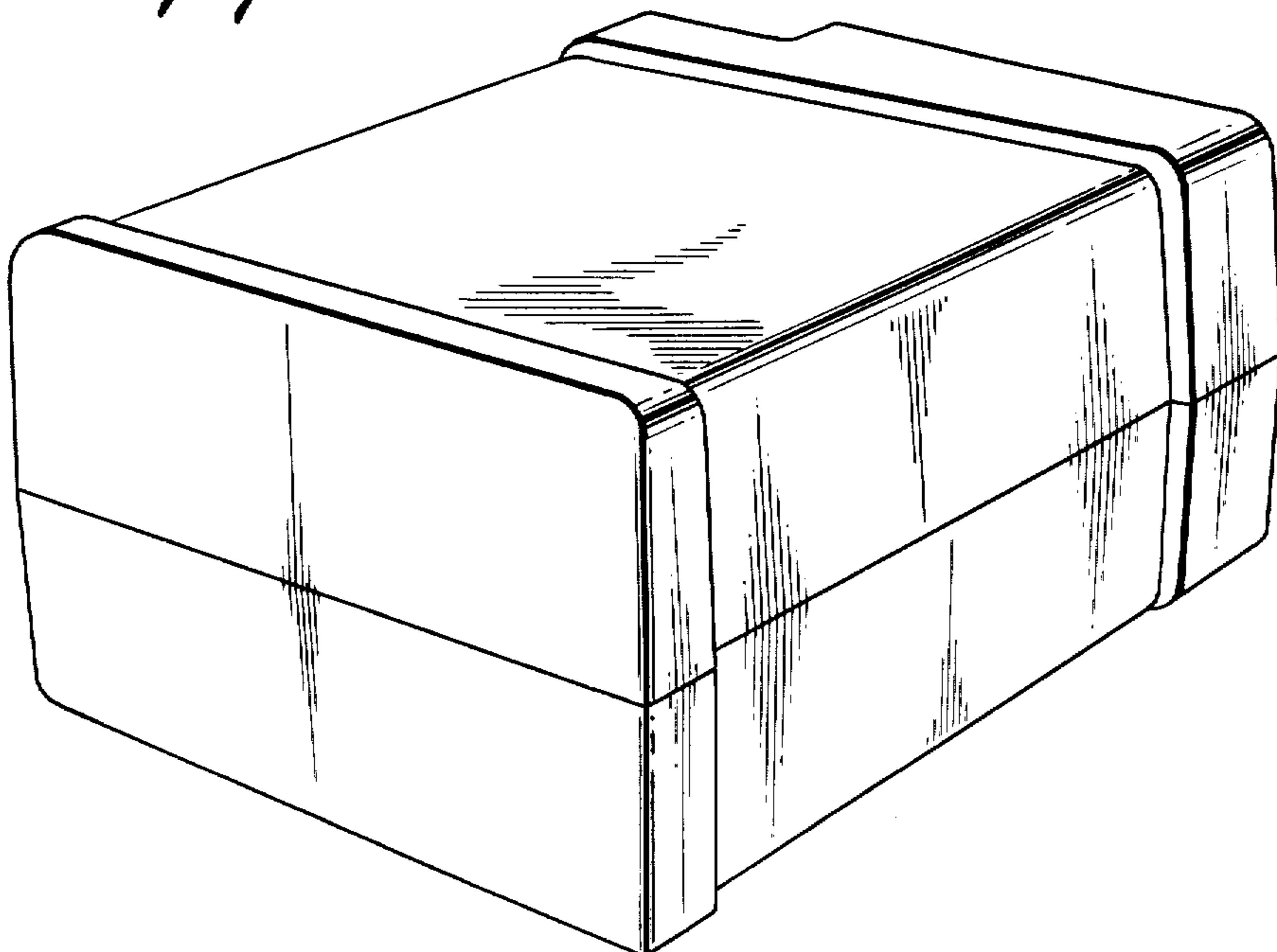


Fig. 3

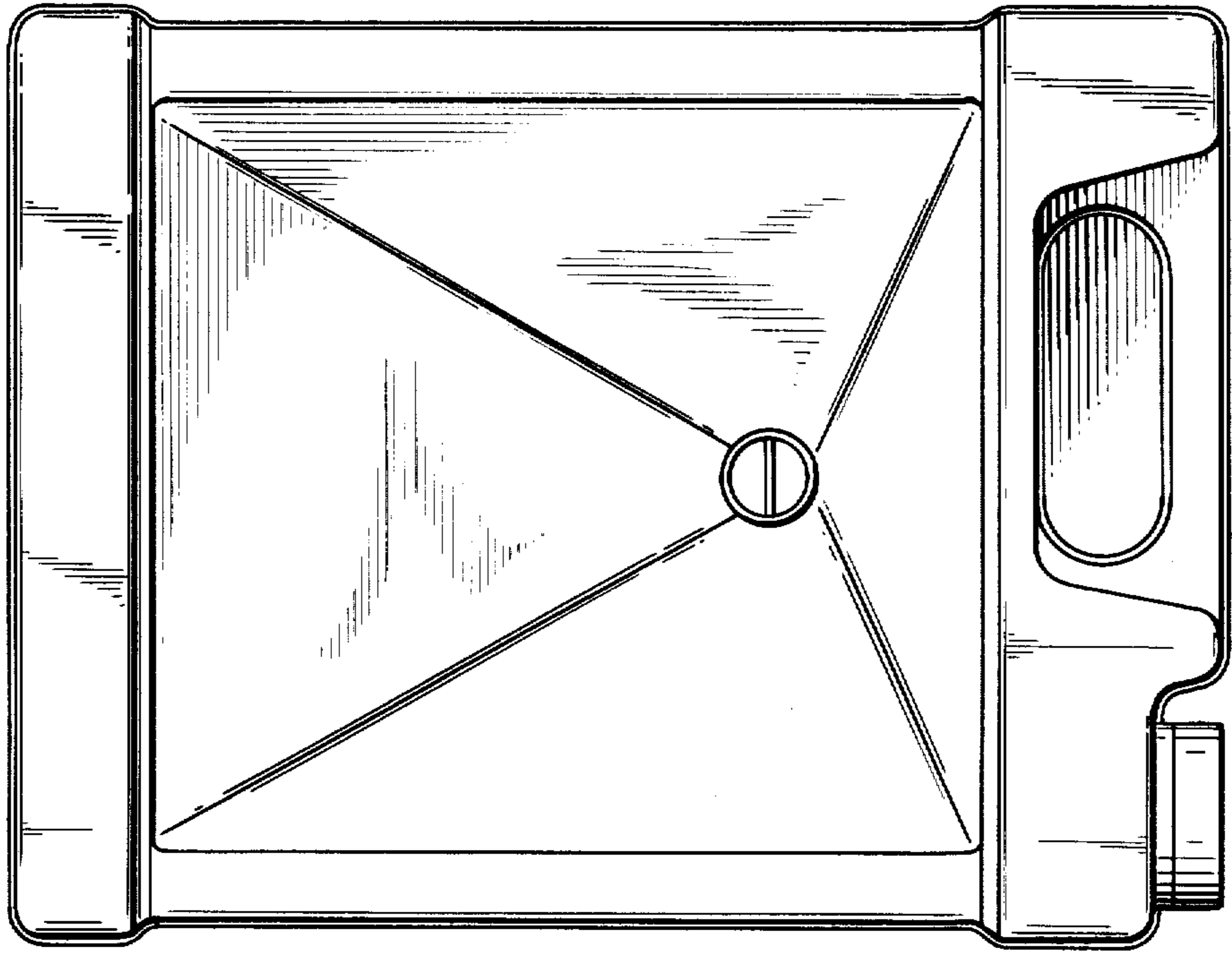


Fig. 4

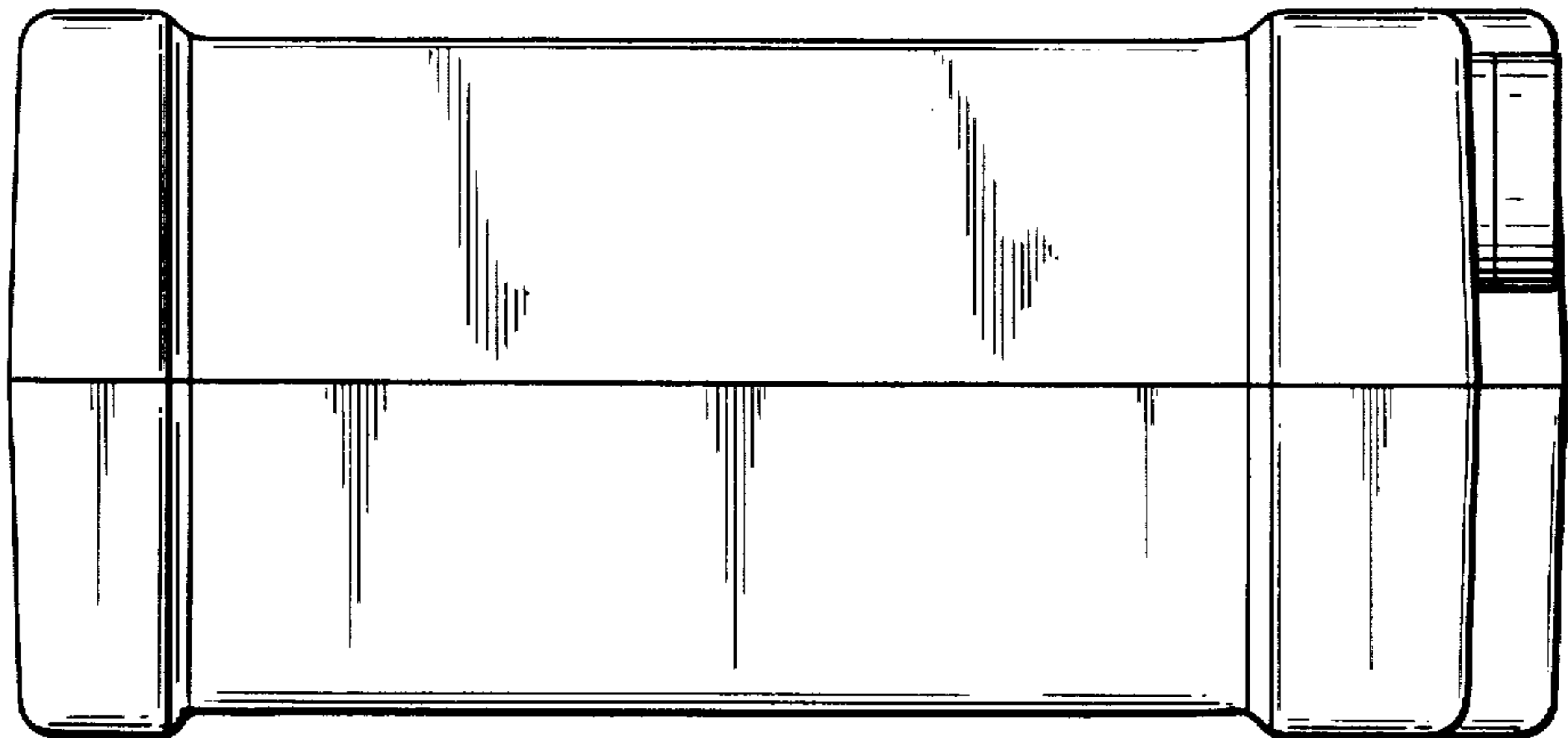


Fig. 5

