

[54] TWIST LOCK HANGER

[75] Inventor: Robert S. Wallace, Los Angeles, Calif.

[73] Assignee: Dan F. Wallace, Karlua-Kona, Hi.

[\*\*] Term: 14 Years

[21] Appl. No.: 67,829

[22] Filed: Aug. 20, 1979

[51] Int. Cl. .... D8-08

[52] U.S. Cl. .... D8/373; D8/354

[58] Field of Search .... D8/373, 354, 349; 248/466, 470, 498

[56] References Cited

U.S. PATENT DOCUMENTS

D. 241,711 10/1976 Wallace ..... D8/373  
1,248,131 11/1917 Kaplan ..... 248/498

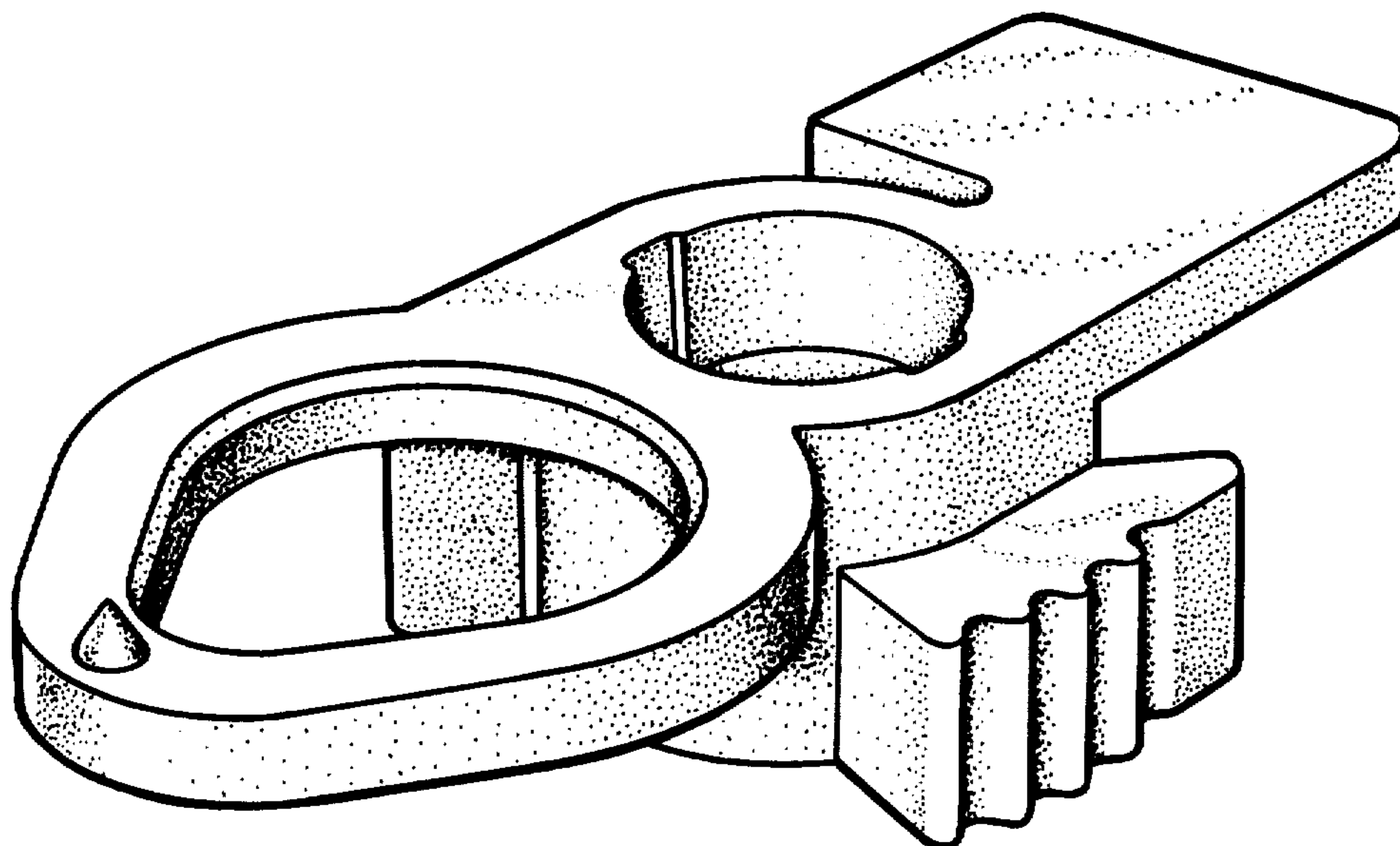
Primary Examiner—James M. Gandy  
Attorney, Agent, or Firm—William W. Haefliger

[57] CLAIM

The ornamental design for twist lock hanger, substantially as shown and described.

DESCRIPTION

FIG. 1 is a perspective view showing the front, left side and top of the twist lock hanger;  
FIG. 2 is a perspective view showing the rear, right side and bottom thereof.



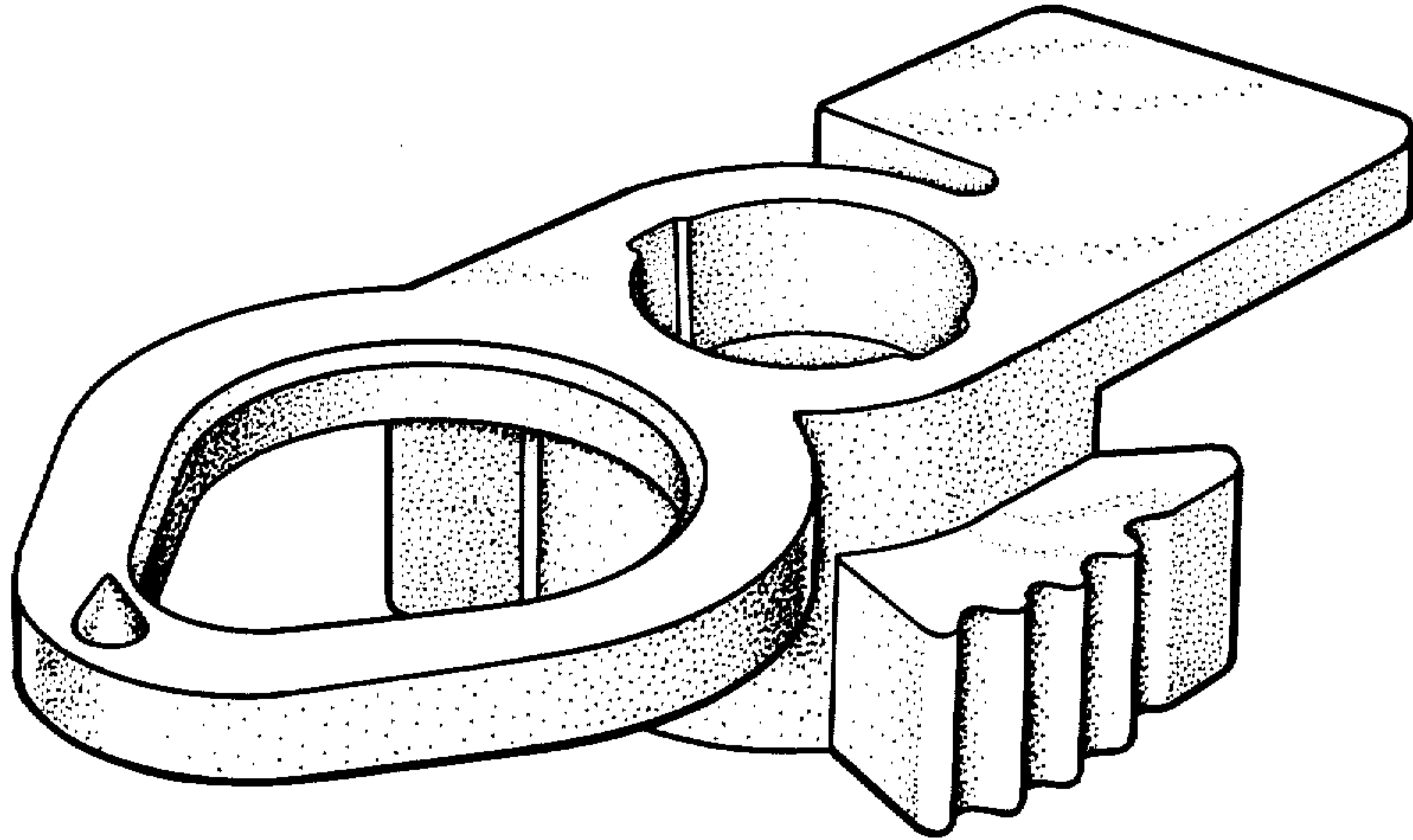


FIG.-1

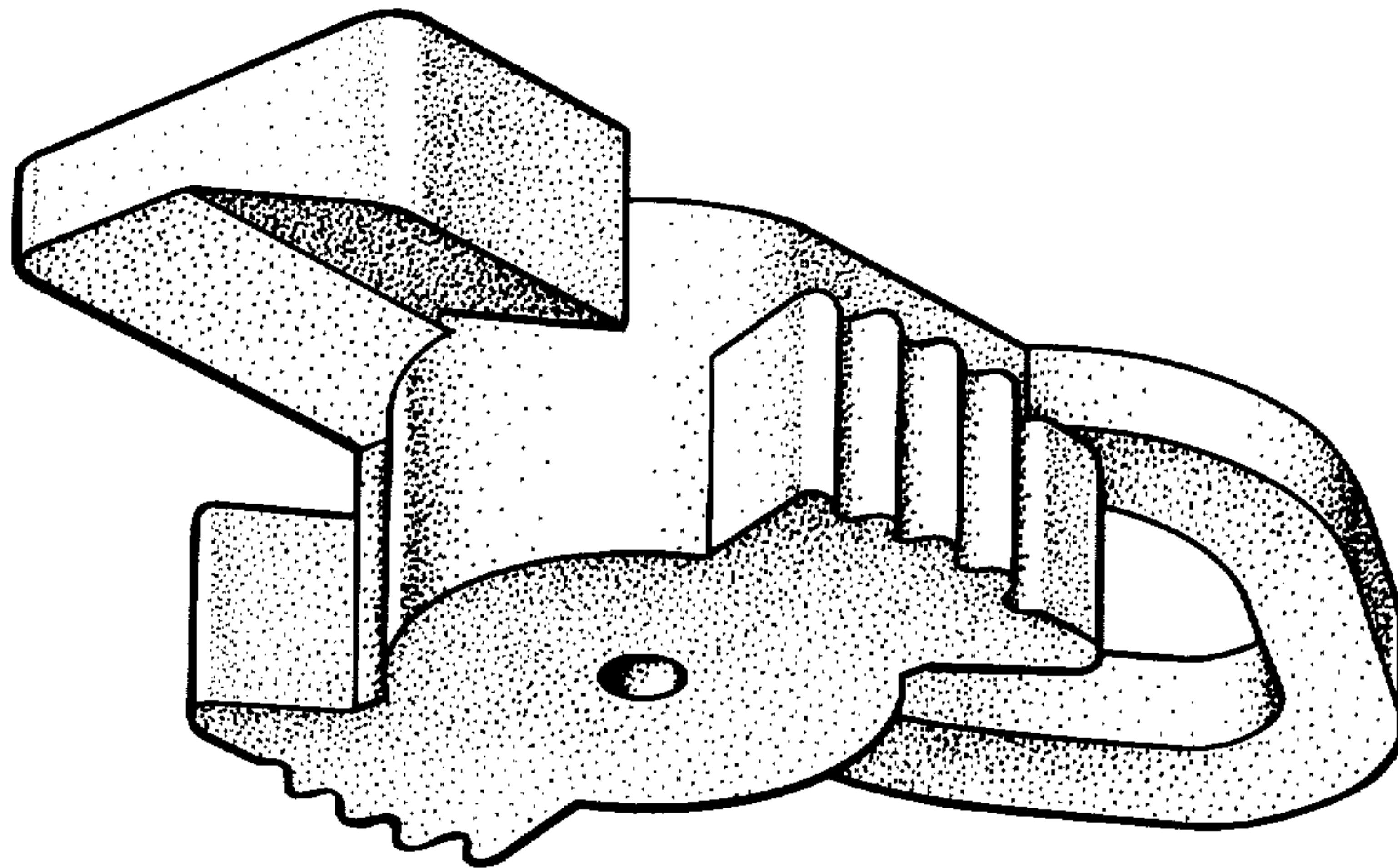


FIG.-2