

[54] SABBATH BREAD LOAF HOLDER

[56] References Cited

[76] Inventor: Charles C. Hoffberger, 1715 N. Lake Shore Dr., Sarasota, Fla. 33581

U.S. PATENT DOCUMENTS

D. 96,363	7/1935	Arnold	D3/21
D. 110,538	7/1938	Donchian	D7/1
D. 149,961	6/1948	Mason	D7/99
1,591,119	7/1926	Fulton	D7/46 X

[**] Term: 14 Years

Primary Examiner—Winifred E. Herrmann

[21] Appl. No.: 92,326

[57] CLAIM

The ornamental design for a sabbath bread loaf holder, as shown.

[22] Filed: Nov. 8, 1979

DESCRIPTION

[51] Int. Cl. D07-04

FIG. 1 is a top perspective view of a sabbath bread loaf holder showing my new design;

[52] U.S. Cl. D7/99; D7/41; D11/108; D99/25

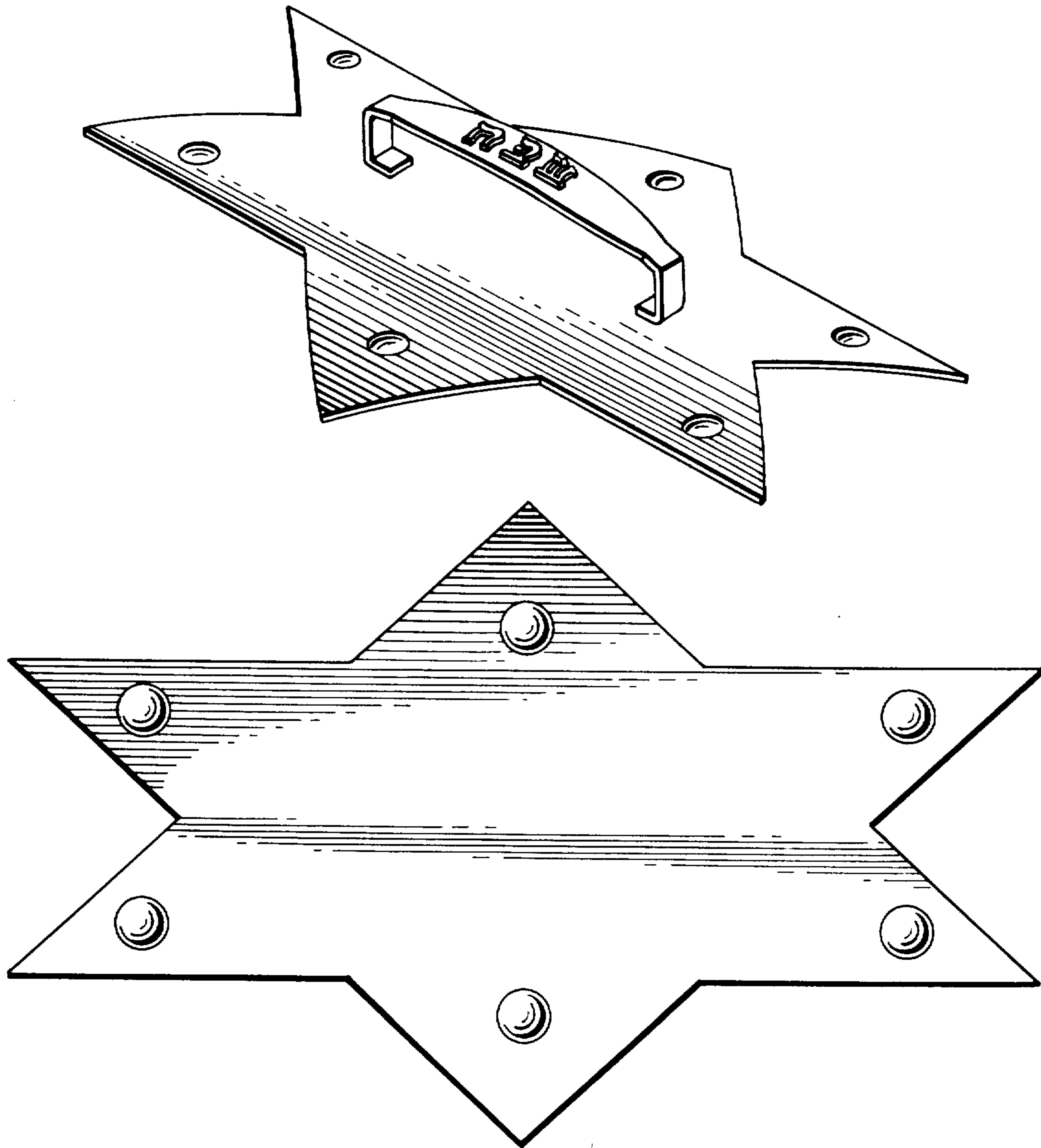
FIG. 2 is an end elevational view thereof;

FIG. 3 is a side elevational view thereof;

[58] Field of Search D7/99, 41, 46, 106, D7/130; D11/121, 124, 108, 70; D99/25

FIG. 4 is a top plan view thereof; and

FIG. 5 is a bottom plan view thereof.



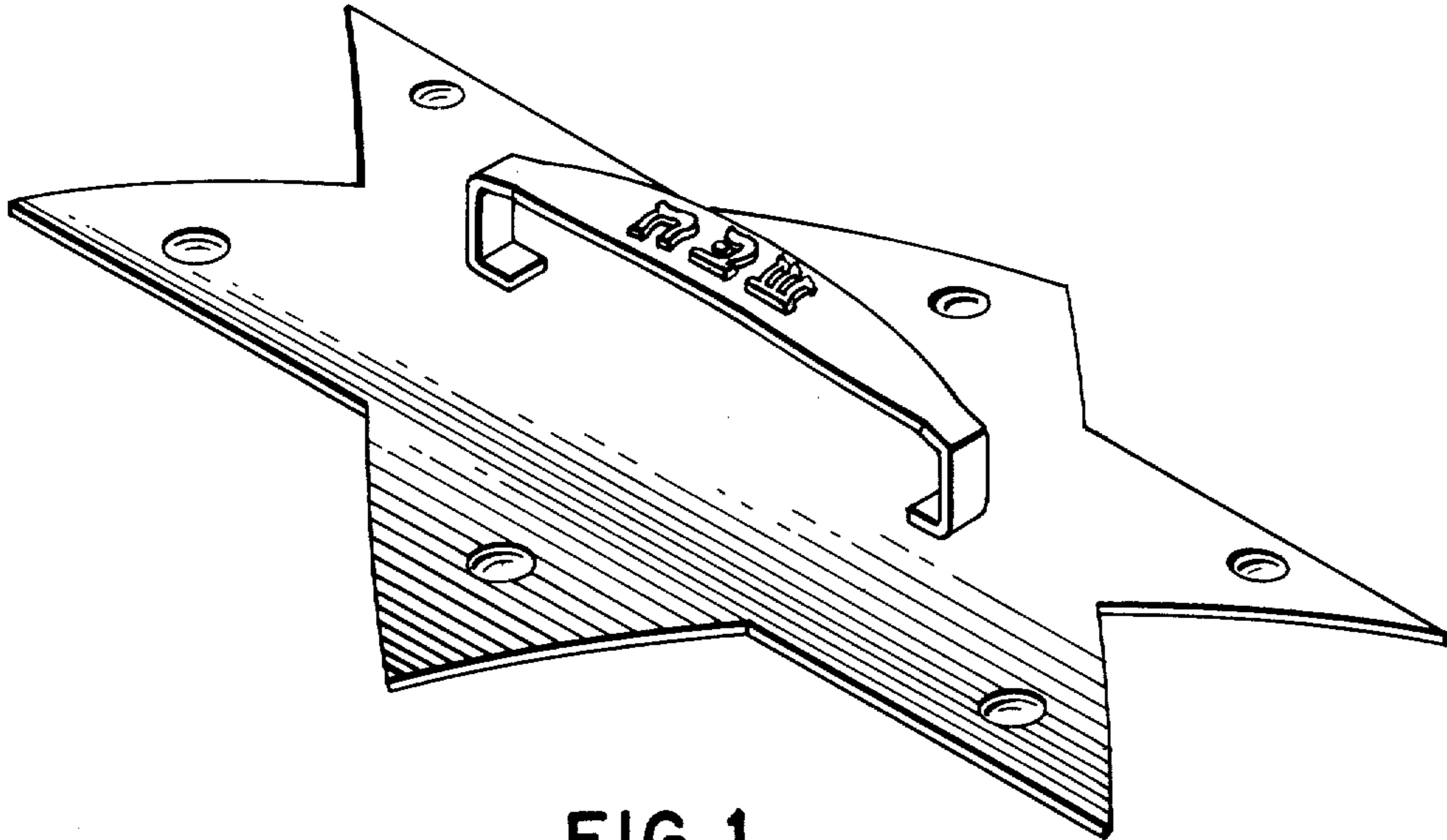


FIG. 1

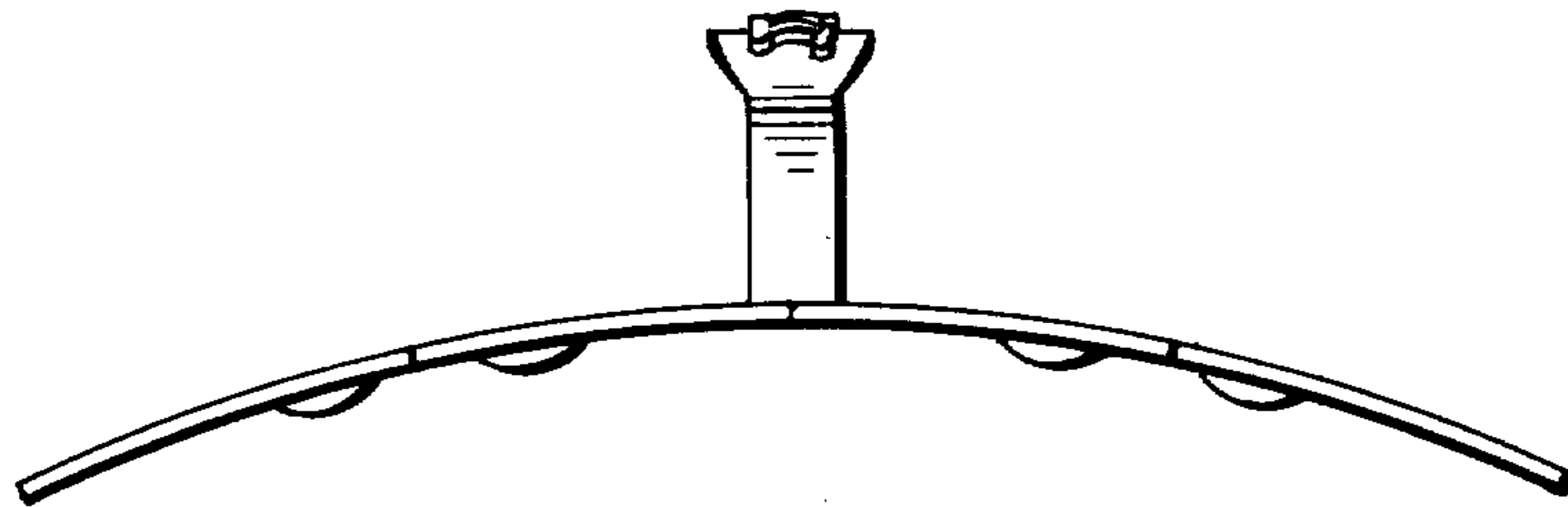


FIG. 2

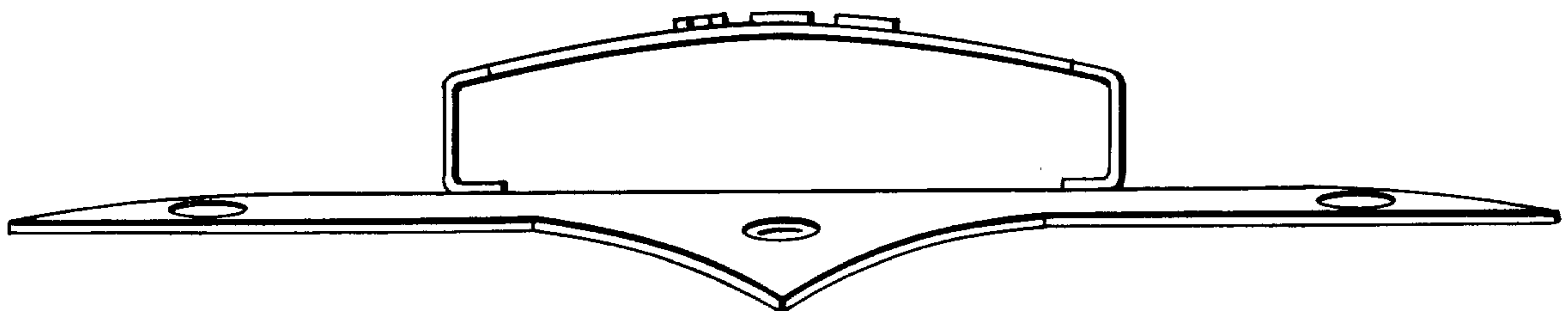


FIG. 3

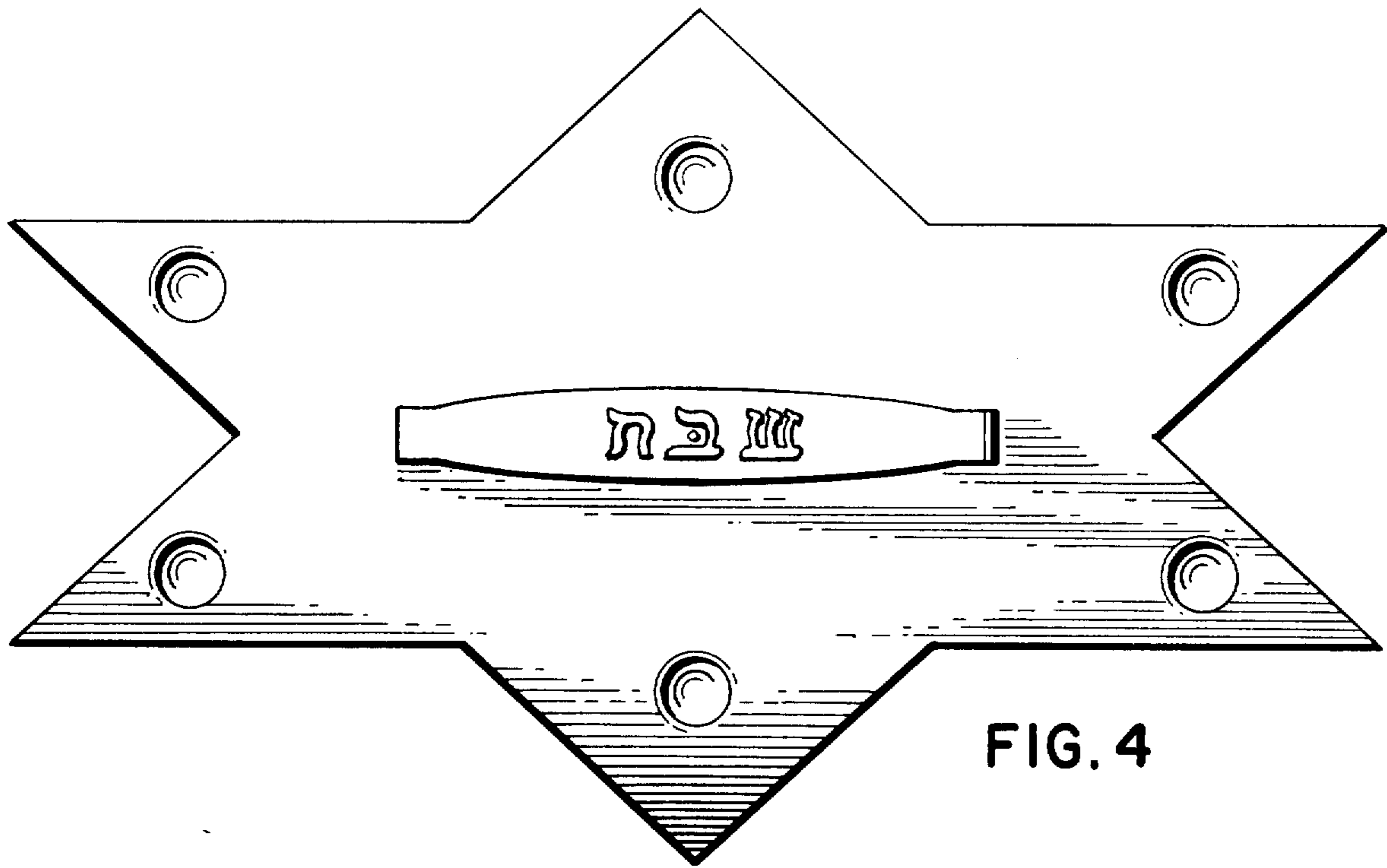


FIG. 4

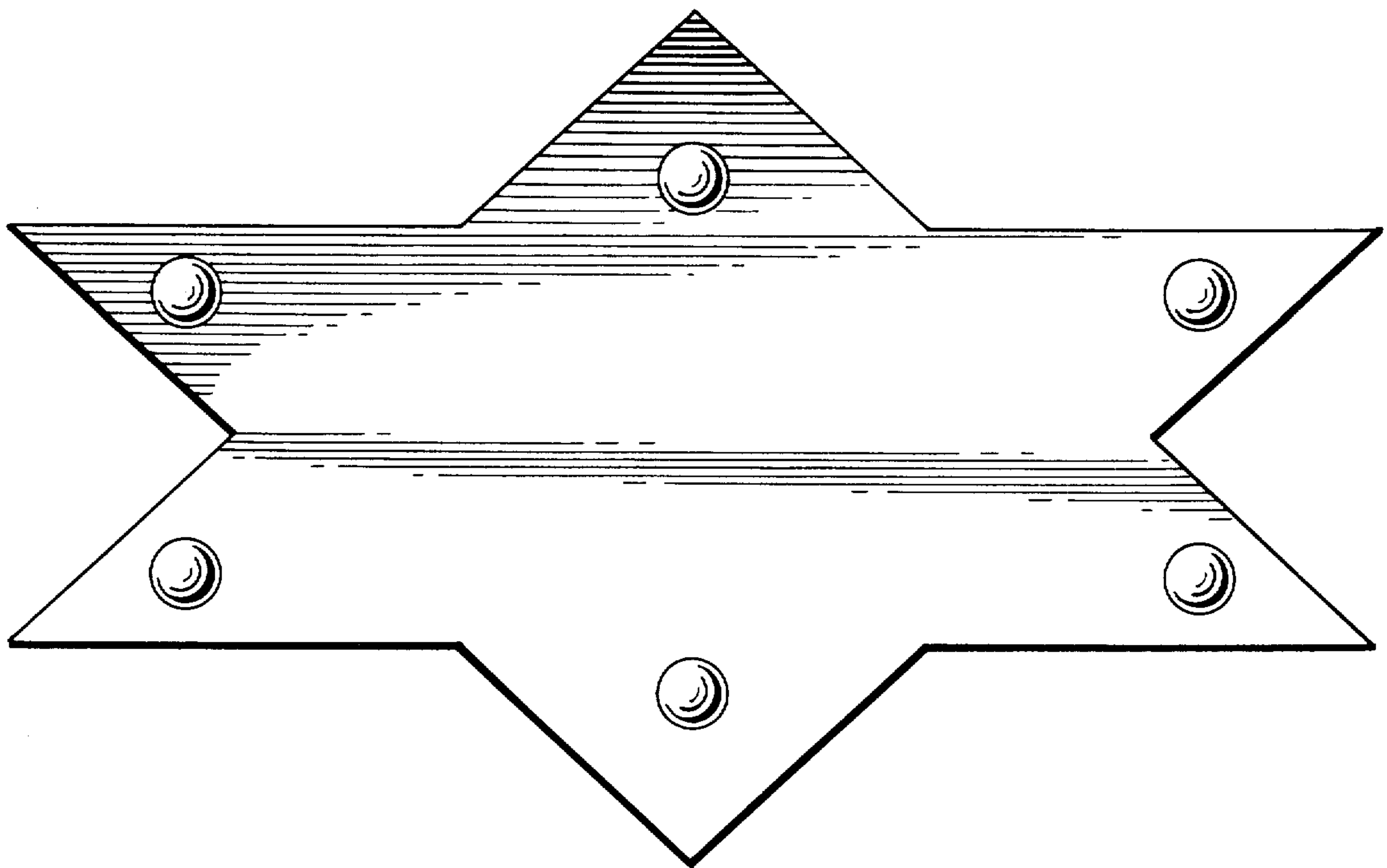


FIG. 5