

[54] **CONDIMENT DISPENSER**

[75] Inventor: **Thomas Bovet**, Hong Kong, Hong Kong

[73] Assignee: **Mike & Kremmel Limited**, Kowloon, Hong Kong

[\*\*] Term: **14 Years**

[21] Appl. No.: **87,111**

[22] Filed: **Oct. 22, 1979**

[30] **Foreign Application Priority Data**

Sep. 10, 1979 [GB] United Kingdom ..... 991492/79

[51] Int. Cl. .... **D7-06**

[52] U.S. Cl. .... **D7/54**

[58] Field of Search ..... **D7/52-58;**  
D9/366, 432; D28/85; 222/142.1, 142.4, 142.5,  
142.6, 142.8, 189, 190, 196.1, 457.5, 480, 500,  
548

[56] **References Cited**

**U.S. PATENT DOCUMENTS**

- D. 257,205 10/1980 Bounds ..... D7/57
- 1,119,070 12/1914 Dean ..... 222/142.8
- 1,927,149 9/1933 Belefant ..... D7/57

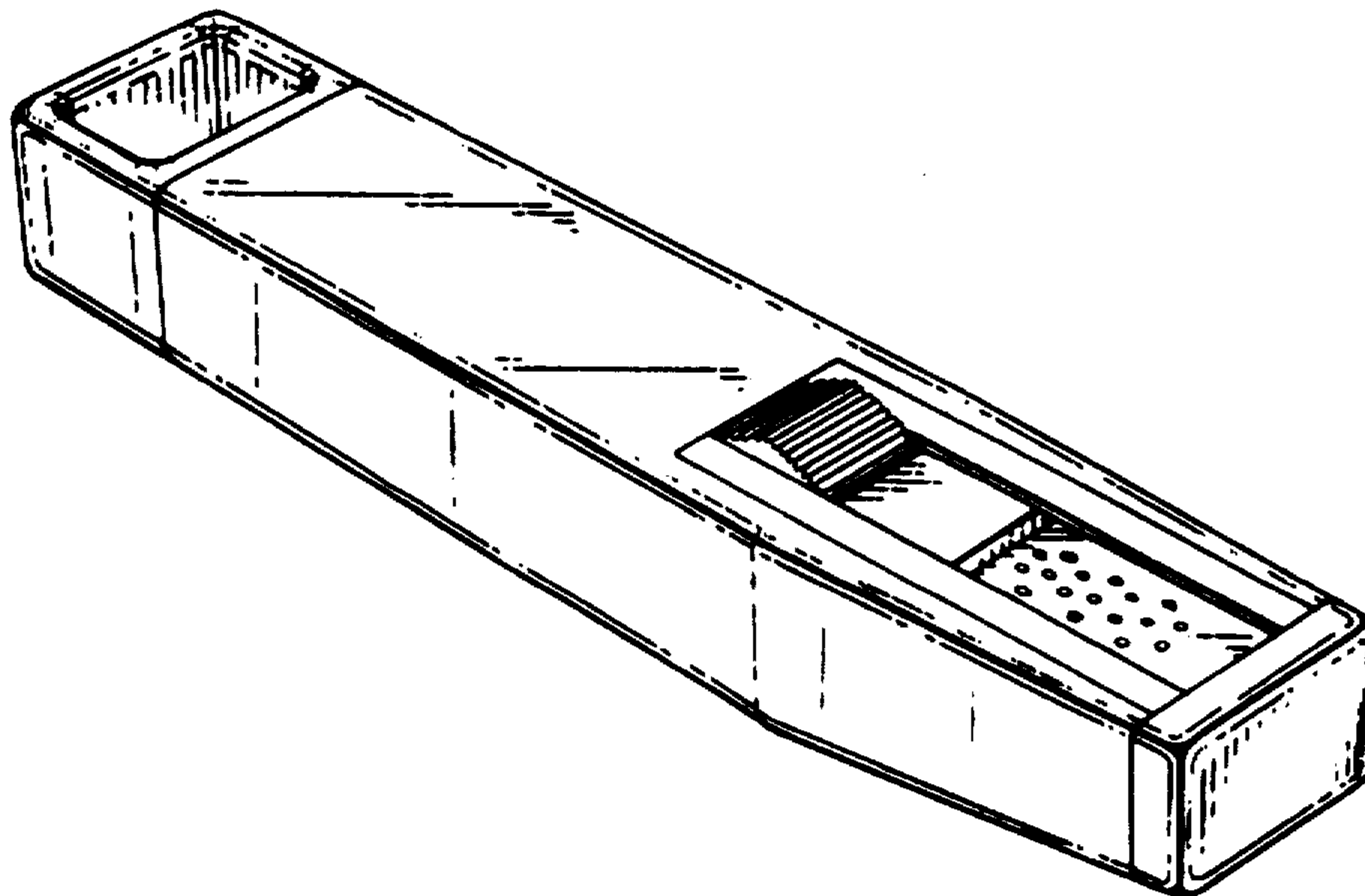
*Primary Examiner*—Leland A. Sebastian  
*Attorney, Agent, or Firm*—Townsend and Townsend

[57] **CLAIM**

The ornamental design for a condiment dispenser, as shown and described.

**DESCRIPTION**

FIG. 1 is a top front perspective view of a condiment dispenser showing my new design in the opened position;  
FIG. 2 is a left side elevational view thereof;  
FIG. 3 is a bottom plan view thereof;  
FIG. 4 is a rear elevational view thereof; and  
FIG. 5 is a perspective view thereof in the closed position.



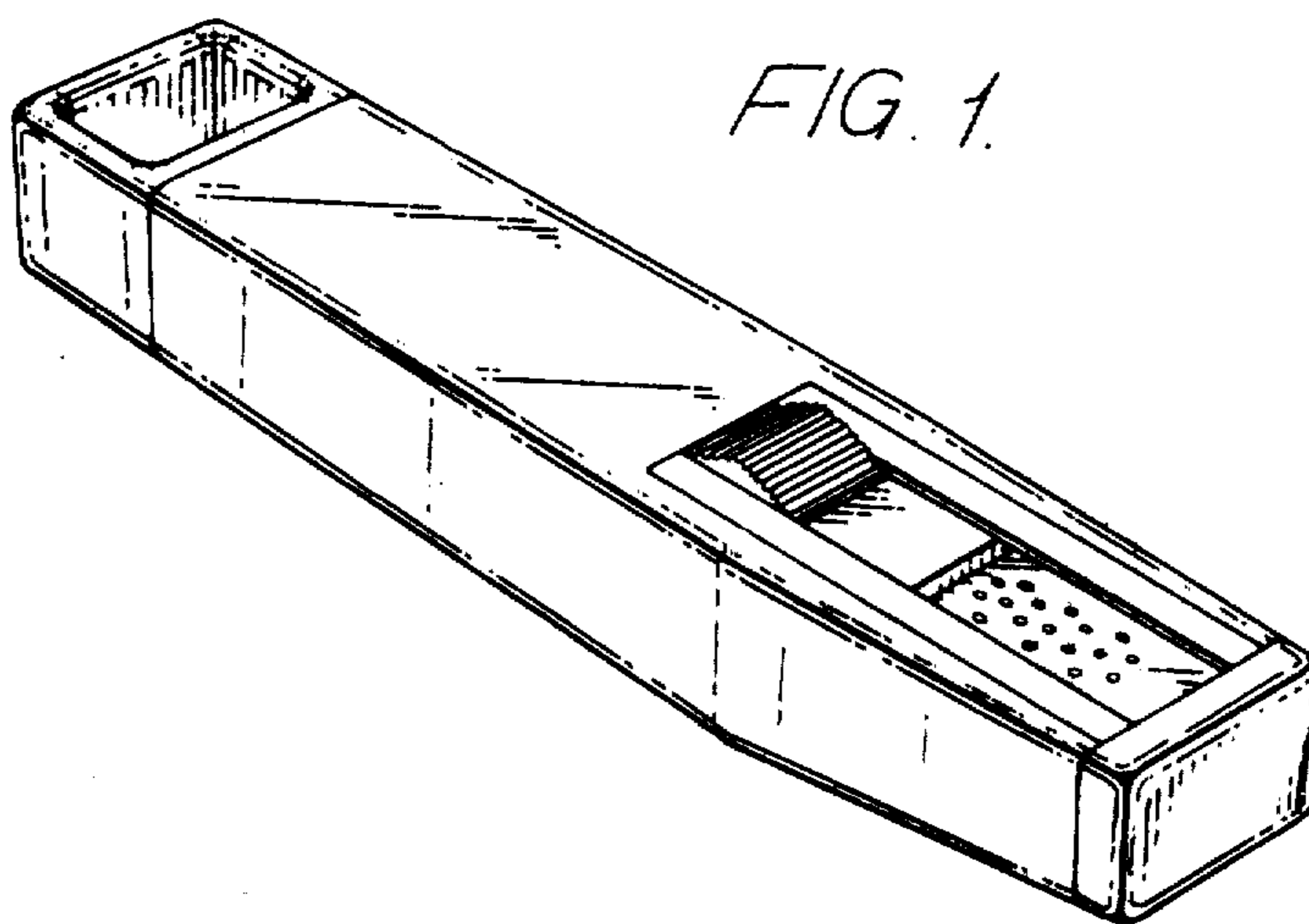


FIG. 1.

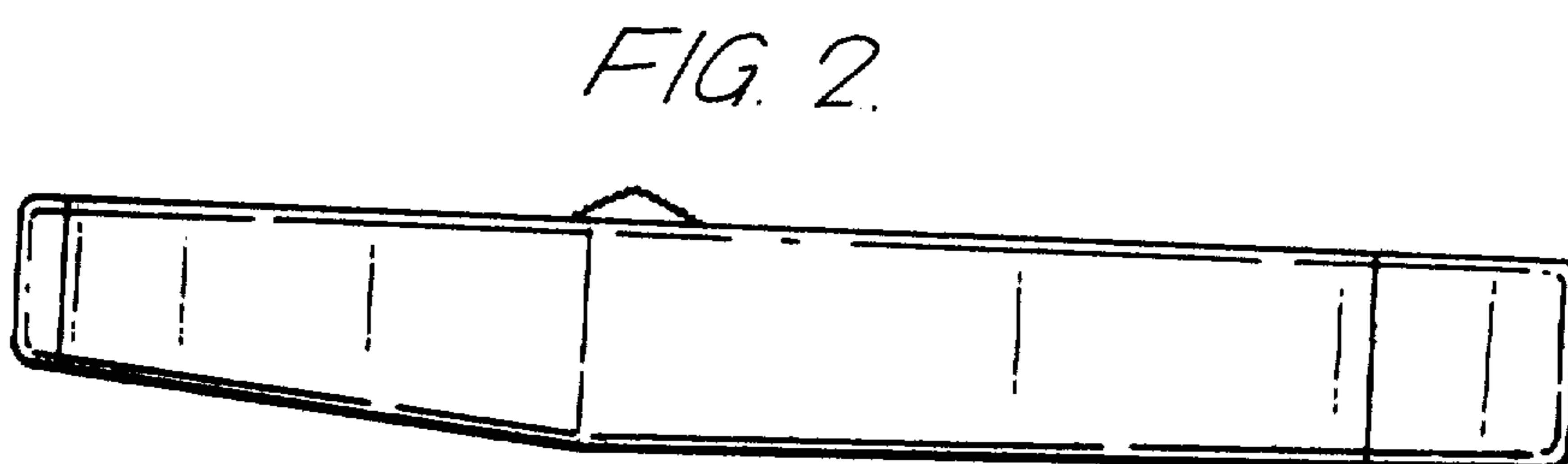


FIG. 2.

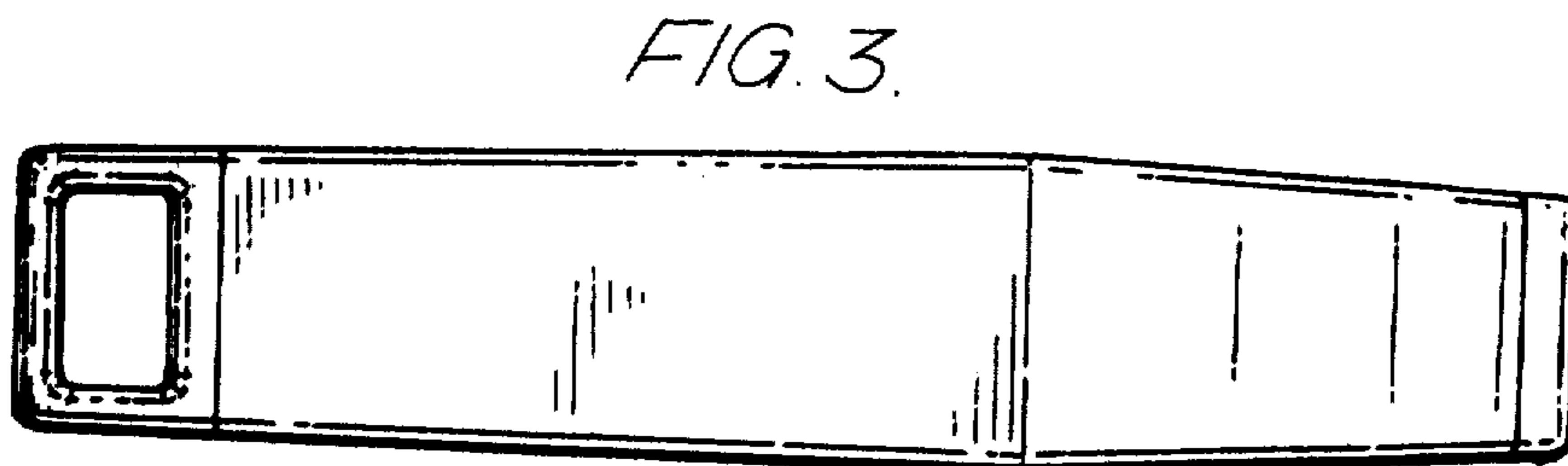


FIG. 3.

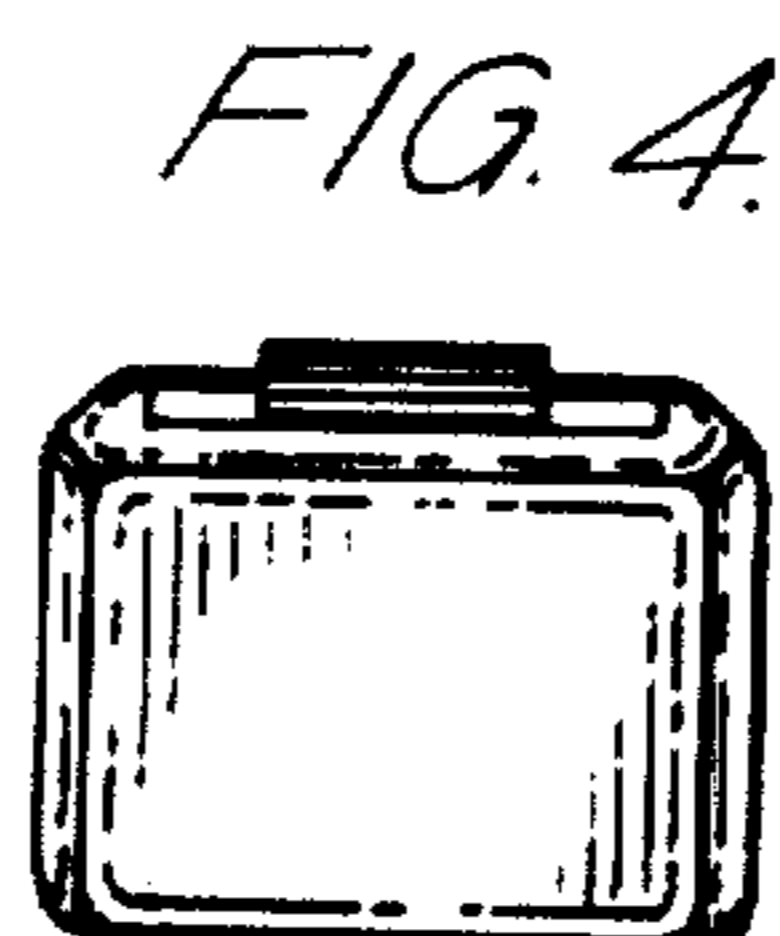


FIG. 4.

*FIG. 5.*

