

[54] CUP

[75] Inventors: **Bryan E. C. Lack**, Banbury; **Robert E. Coles**, Leamington Spa, both of England

[73] Assignee: **General Foods Ltd.**, Oxfordshire, England

[**] Term: **14 Years**

[21] Appl. No.: **44,537**

[22] Filed: **Jun. 1, 1979**

[30] Foreign Application Priority Data
 Feb. 2, 1979 [GB] United Kingdom 988387

[51] Int. Cl. **D07—01**

[52] U.S. Cl. **D7/14**

[58] Field of Search **D7/3, 9, 6, 14; D9/220; 229/1.5 B**

[56] **References Cited**

U.S. PATENT DOCUMENTS

D. 189,540	1/1961	Miller	D9/220
3,045,887	7/1962	Caine	D7/14 X
3,139,213	6/1964	Edwards	D7/6 X
3,178,051	4/1965	Edwards	229/1.5 B X
3,353,707	11/1967	Eyles	229/1.5 B X
3,836,042	9/1974	Petitto	229/1.5 B X

Primary Examiner—Winifred E. Herrmann
Attorney, Agent, or Firm—Kenyon & Kenyon

[57] **CLAIM**

The ornamental design for a cup, substantially as shown.

DESCRIPTION

FIG. 1 is a bottom rear side perspective view of a cup showing our new design;
 FIG. 2 is a side elevational view thereof; and
 FIG. 3 is a top front side perspective view thereof.

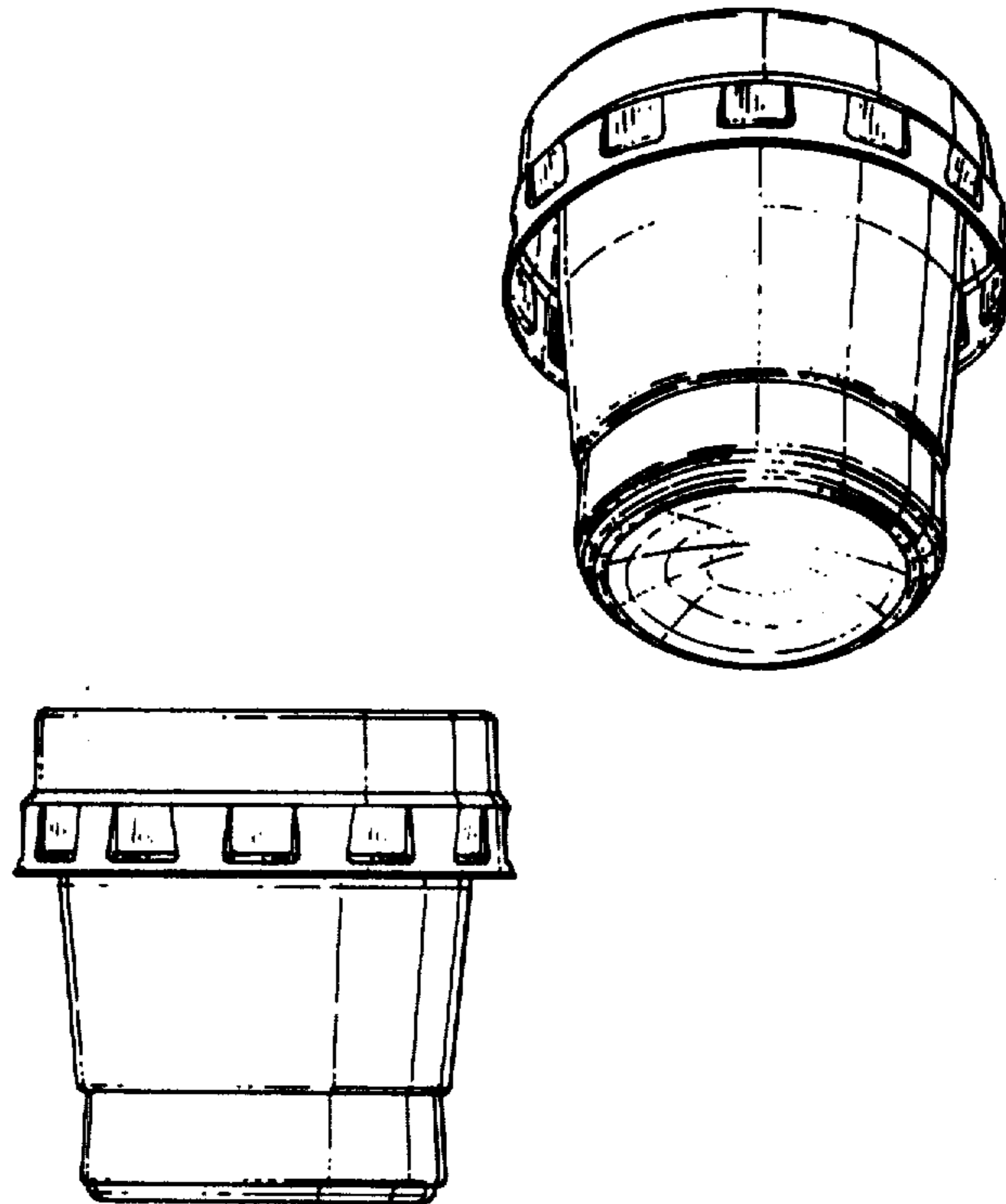


FIG. 1.

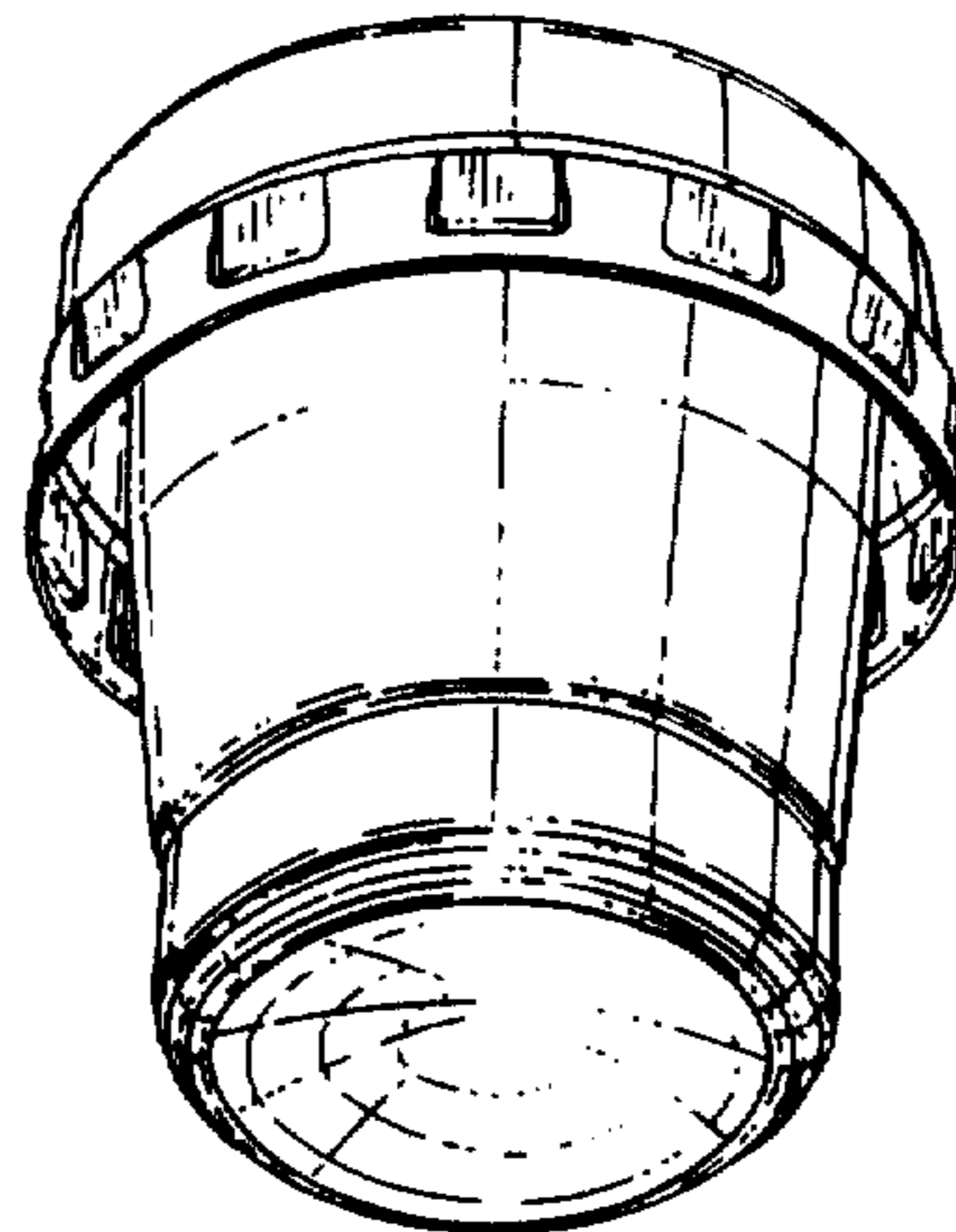


FIG. 2.

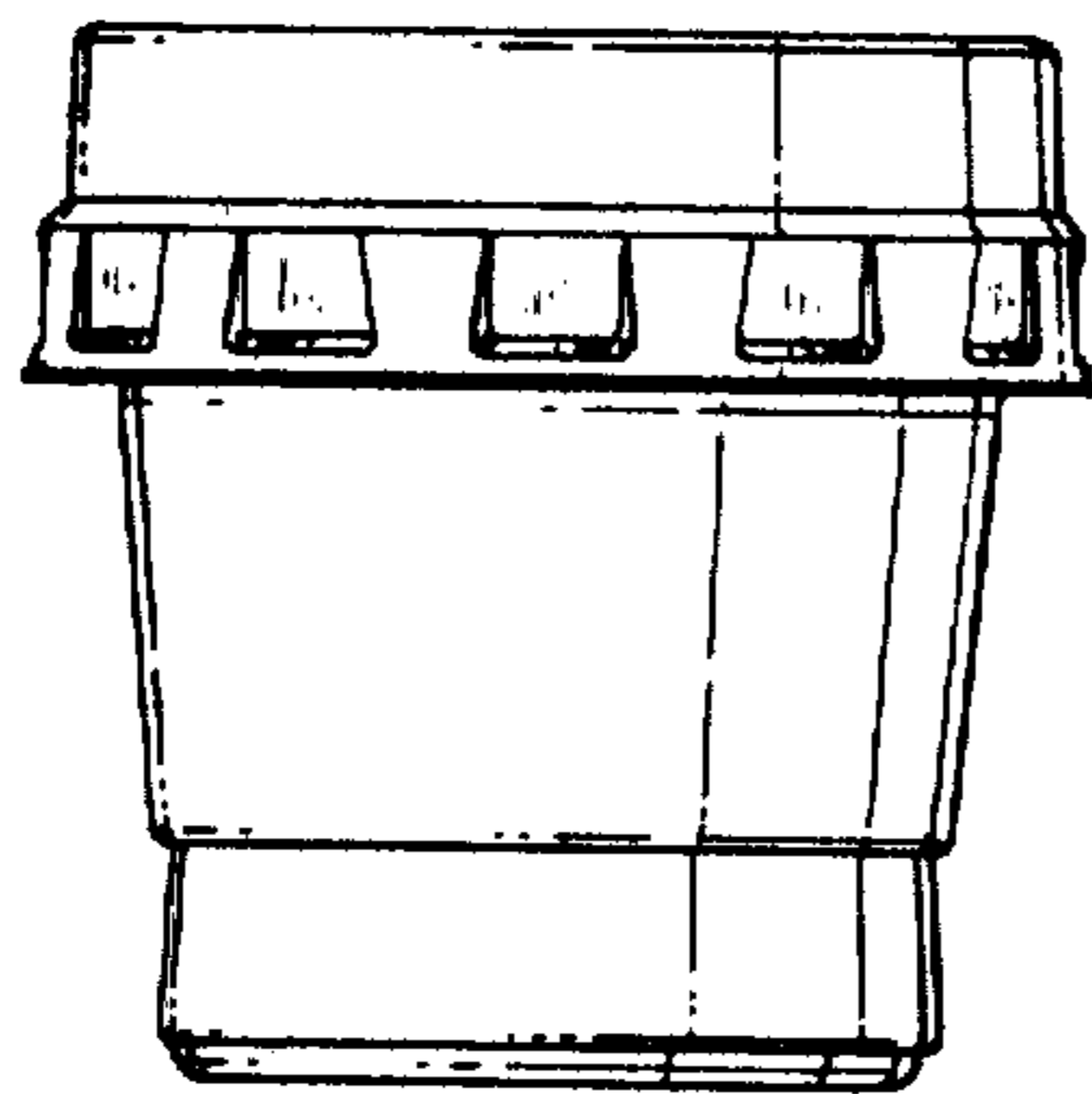


FIG. 3.

