

[54] BEVERAGE CONTAINER HOLDER ATTACHMENT FOR A HOT TUB

[76] Inventors: Robert W. Adams; Ellen Newton, both of 10827 Woodbine St., Los Angeles, Calif. 90034; Frederick E. Stansberry, 4700 Sandyland Rd., Apt. #12, Carpinteria, Calif. 93013

[**] Term: 14 Years

[21] Appl. No.: 104,040

[22] Filed: Dec. 17, 1979

[51] Int. Cl. D06-04

[52] U.S. Cl. D6/93; D7/71; D24/32; D24/38

[58] Field of Search 211/74, 75, 88; 108/44; D6/199, 93; D7/71, 45, 38, 70, 37; D30/8; D99/49, 50, 44; D24/38, 32

[56] References Cited

U.S. PATENT DOCUMENTS

D. 169,817 6/1953 Klein D7/38 X

D. 198,098 4/1964 Kaneko D6/93 X
1,989,294 1/1935 Serpico 211/88 X
2,299,025 10/1942 McGinley 108/44
2,672,182 3/1954 Gwin et al. D7/38 X

OTHER PUBLICATIONS

Modern Plastics, Dec., 1945, p. 131, Cocktail Tray in Panel #5, 3rd. panel down.

Primary Examiner—Winifred E. Herrmann
Attorney, Agent, or Firm—Ralph B. Pastoriza

[57] CLAIM

The ornamental design for a beverage container holder attachment for a hot tub, substantially as shown.

DESCRIPTION

FIG. 1 is a perspective view of a beverage container holder attachment for a hot tub showing our new design;

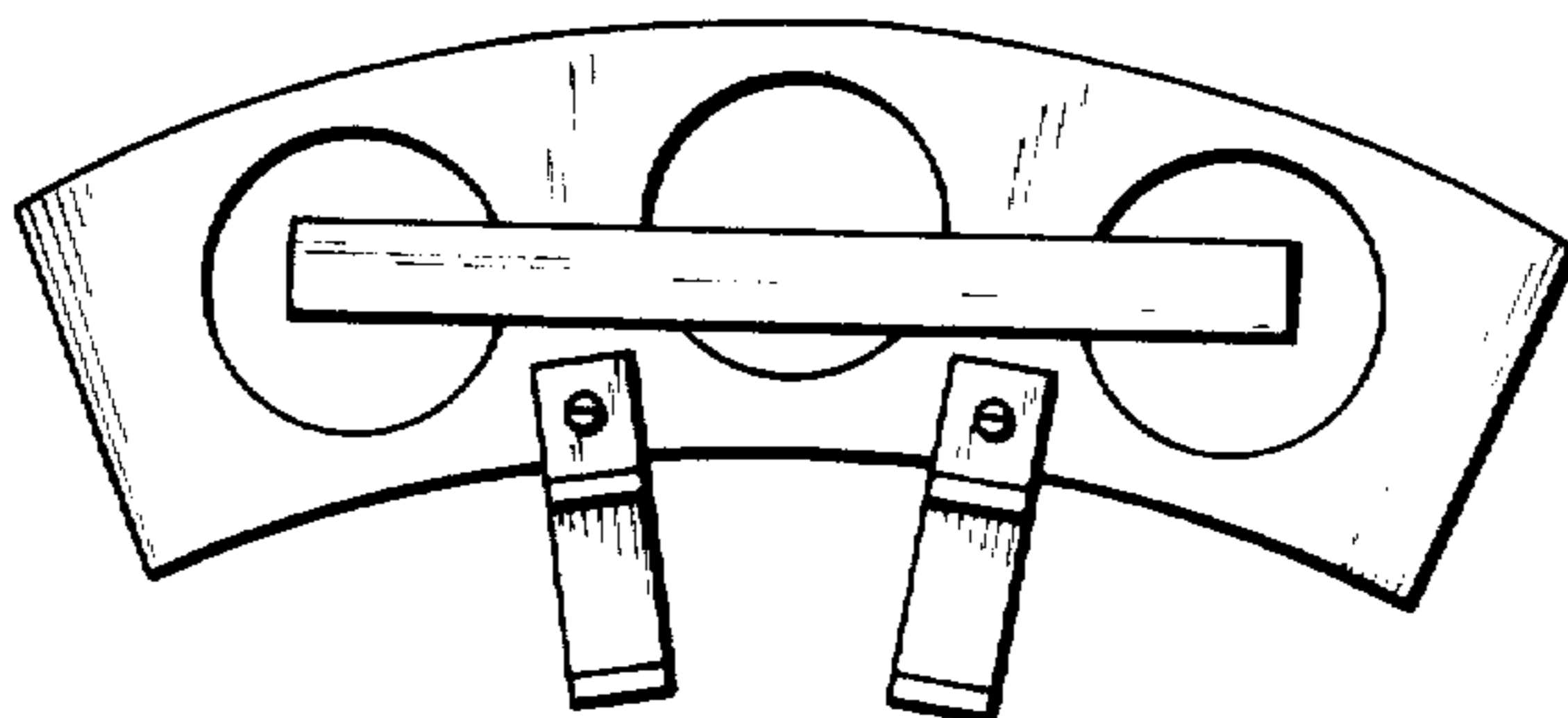
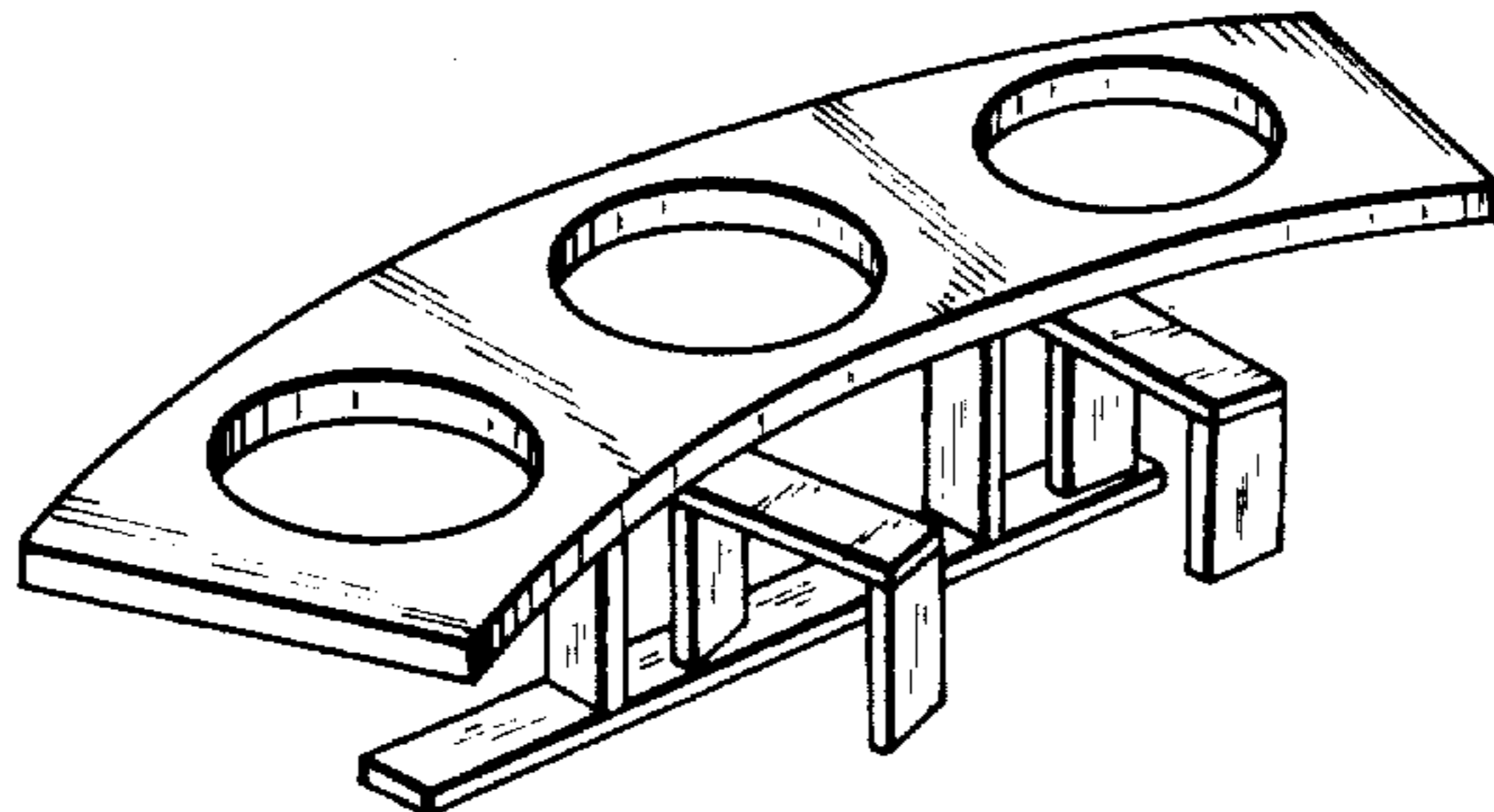
FIG. 2 is a right side elevational view thereof;

FIG. 3 is a front elevational view thereof;

FIG. 4 is a rear elevational view thereof;

FIG. 5 is a top plan view thereof; and,

FIG. 6 is a bottom plan view thereof.



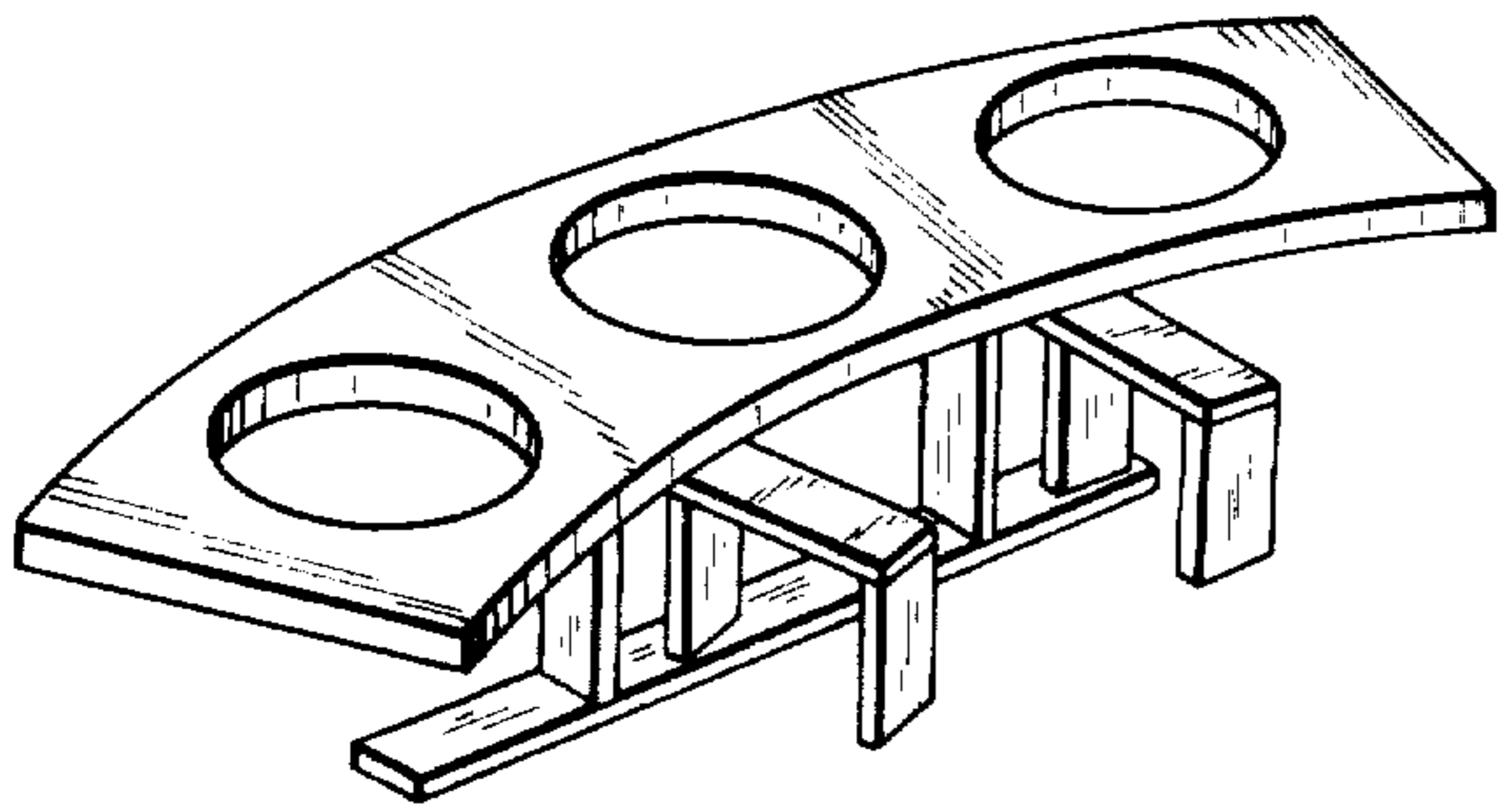


FIG. 1

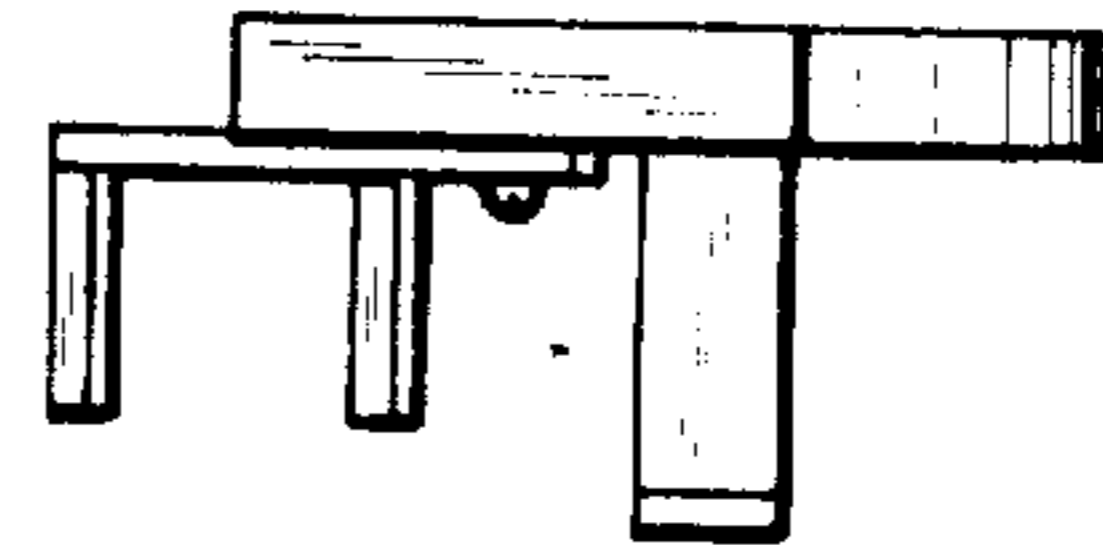


FIG. 2

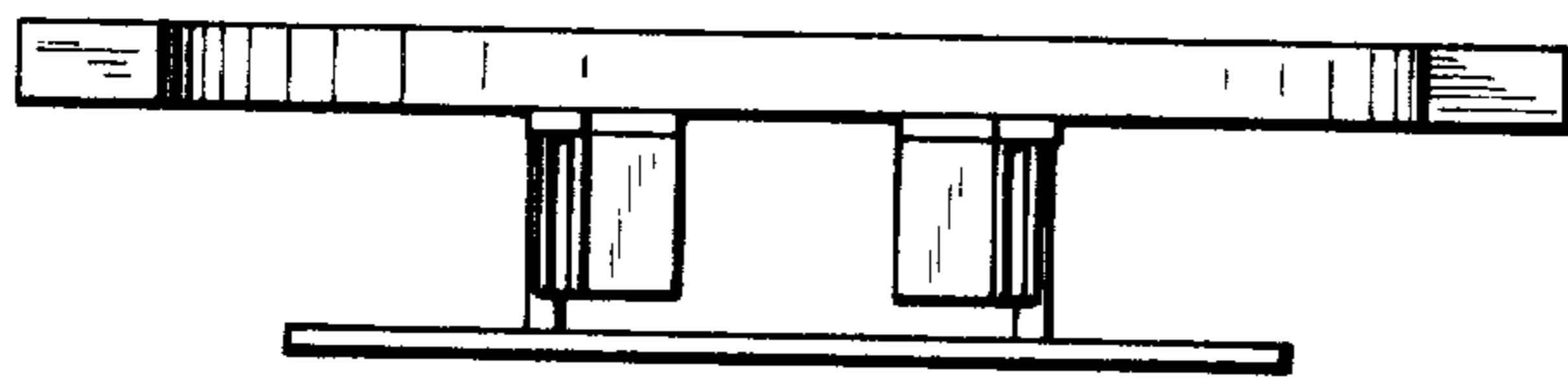


FIG. 3

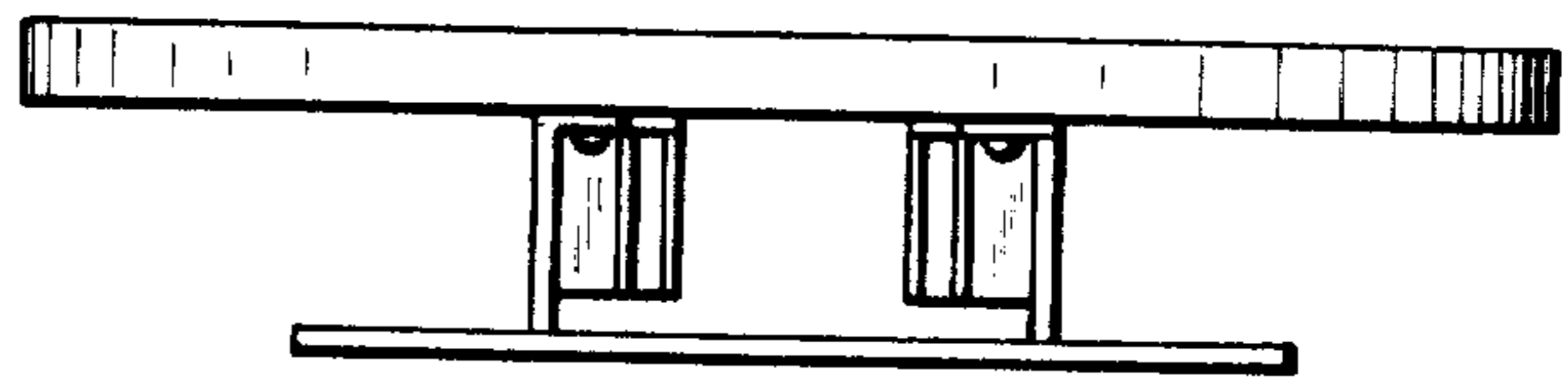


FIG. 4

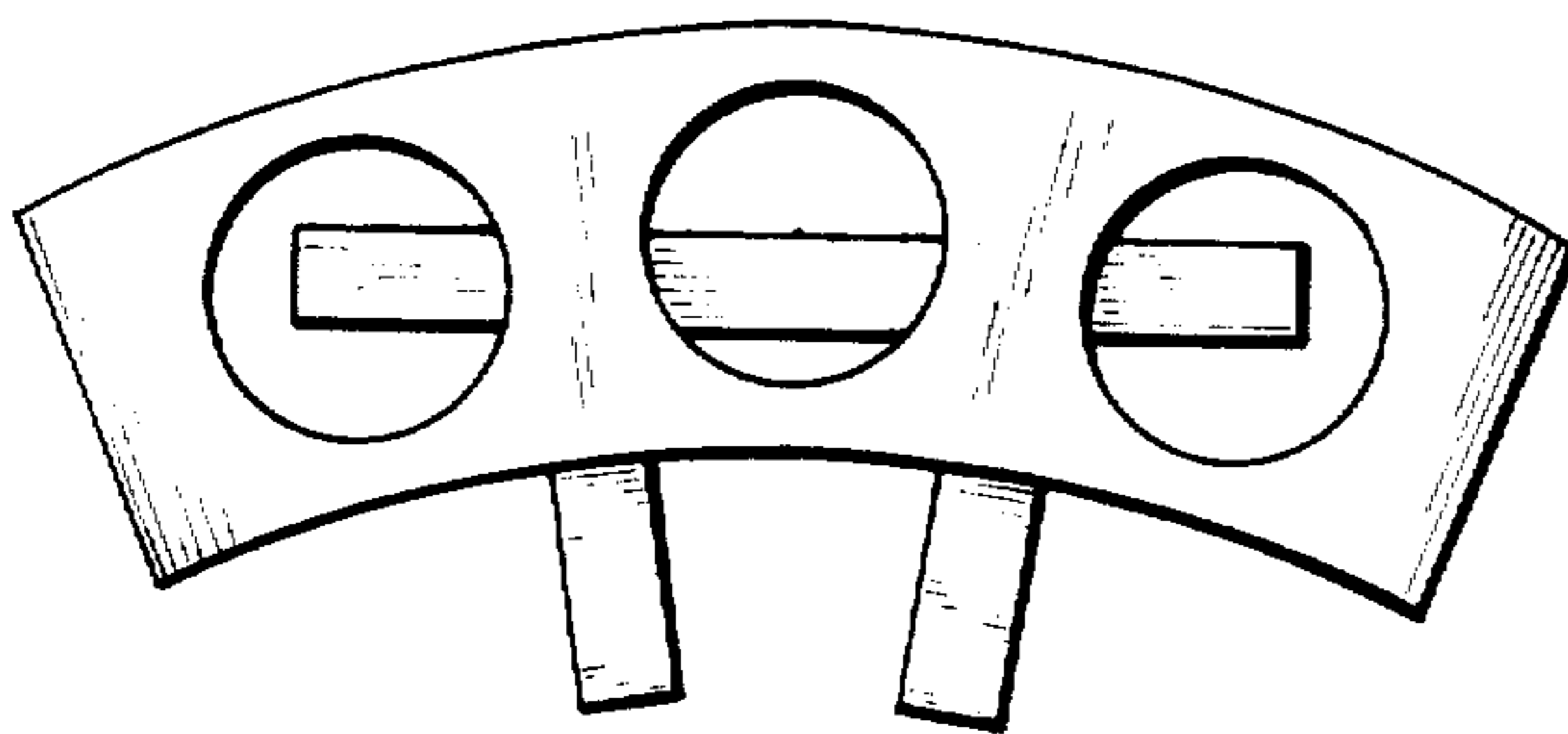


FIG. 5

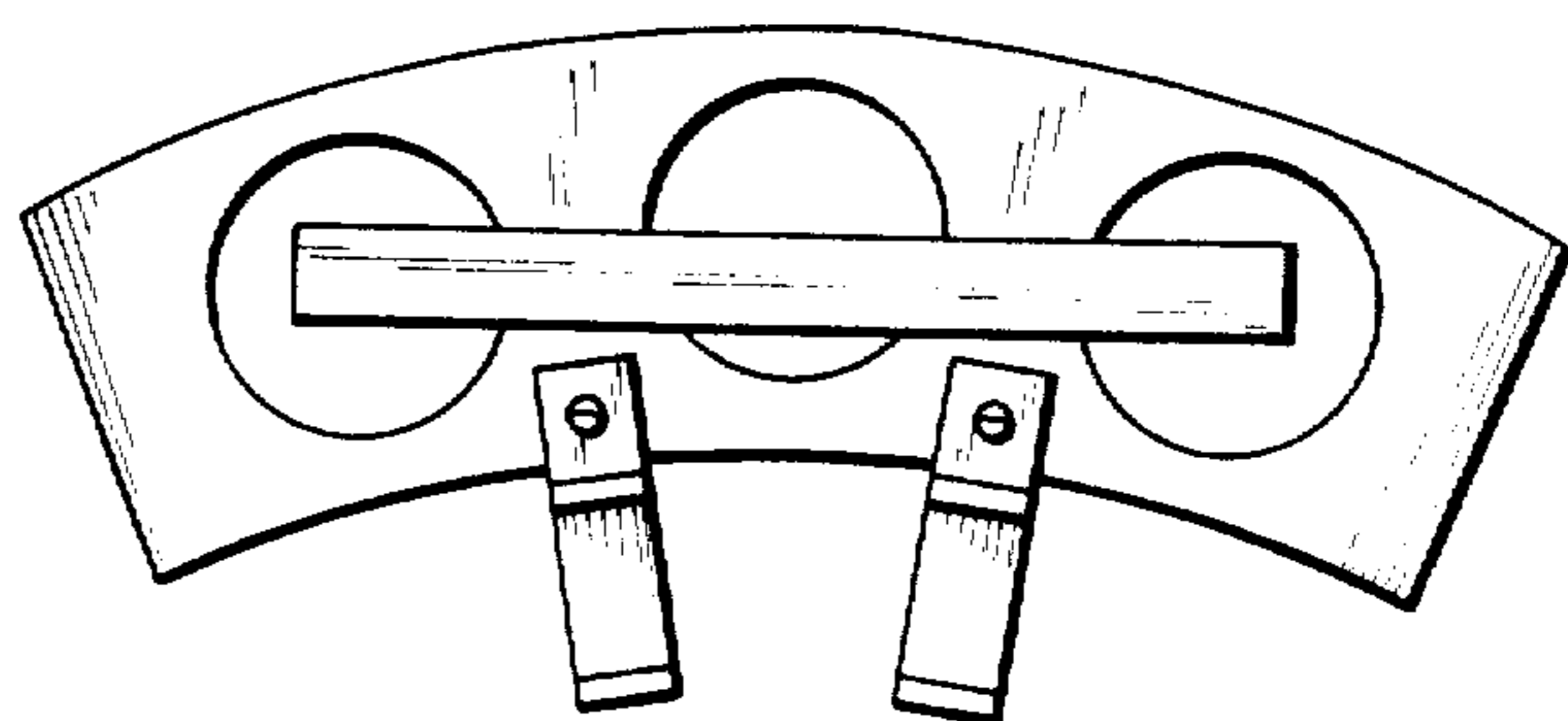


FIG. 6