

[54] EYEGGLASS FRAME DISPLAY RACK

4,150,752 4/1979 Breining 211/13

[76] Inventors: Francis E. Caldwell, 3905 Chimney Rock Rd., Plano, Tex. 75075; Robert E. Hagan, P.O. Box 3986, Irving, Tex. 75061

Primary Examiner—B. J. Bullock
Attorney, Agent, or Firm—Hubbard, Thurman, Turner, Tucker & Glaser

[**] Term: 14 Years

[57] CLAIM

[21] Appl. No.: 947,718

The ornamental design for eyeglass frame display rack, as shown and described.

[22] Filed: Oct. 2, 1978

DESCRIPTION

[51] Int. Cl. D20—02

[52] U.S. Cl. D6/114; D6/157; D6/188

[58] Field of Search D6/85, 114, 130, 157, D6/186, 188-190; 211/13, 87, 88, 90; 248/DIG. 2

FIG. 1 is a fragmentary perspective view of a portion of an eyeglass frame display rack showing our new design, it being understood that the supporting elements repeat uniformly horizontally and vertically;

FIG. 2 is an enlarged fragmentary perspective view of a single column thereof, the lower edge of which is shown for completeness;

FIG. 3 is a reduced side elevational view taken from the left of FIG. 2;

FIG. 4 is a reduced front elevational view of FIG. 2;

FIG. 5 is a reduced top plan view of FIG. 2;

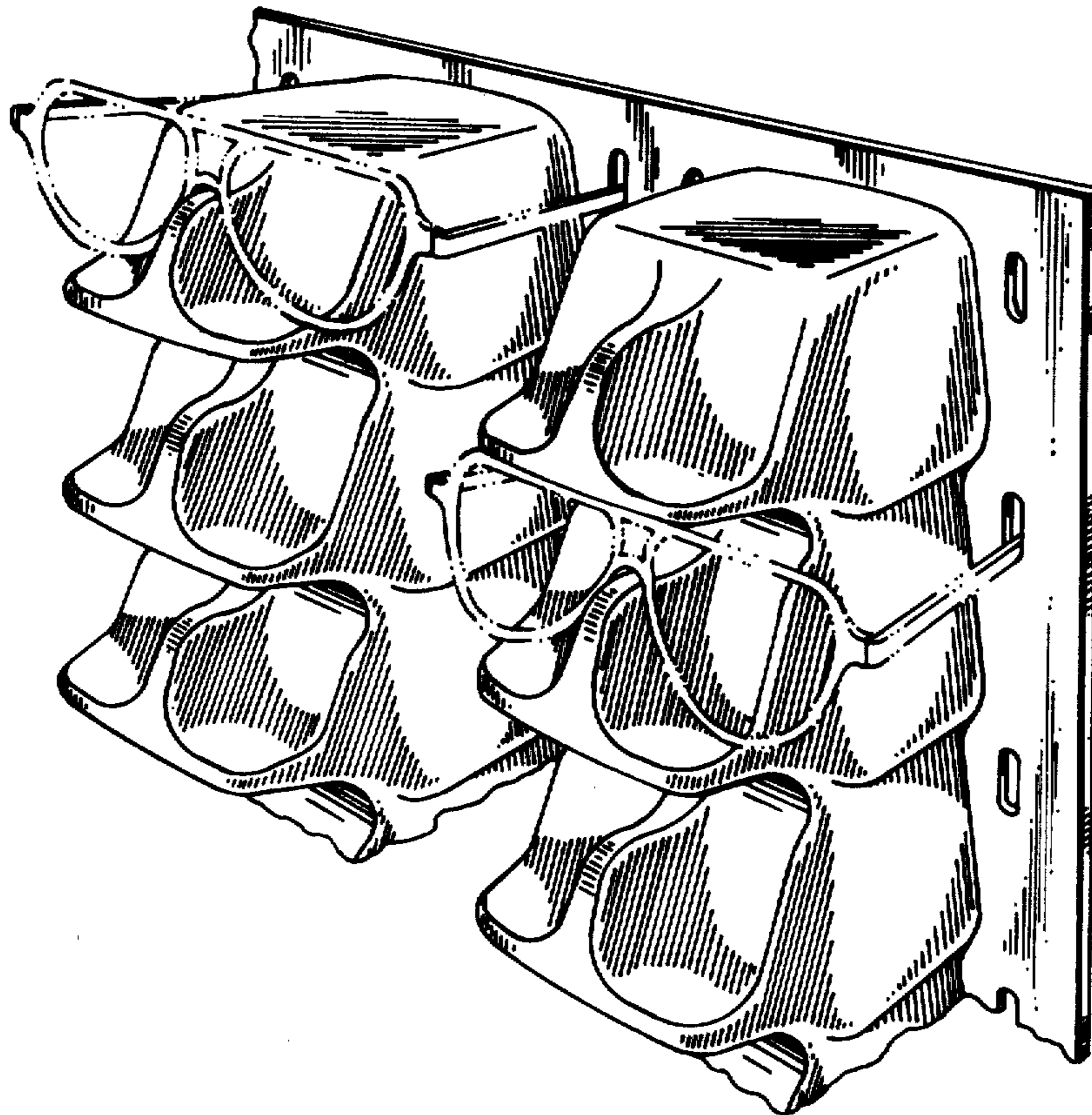
FIG. 6 is a bottom plan view of FIG. 2;

FIG. 7 is a fragmentary rear perspective view of FIG. 2.

[56] References Cited

U.S. PATENT DOCUMENTS

- D. 211,067 5/1968 Leblanc et al. D6/114
- 3,333,708 8/1967 Leblanc et al. 211/13
- 3,352,425 11/1967 Burke 211/13



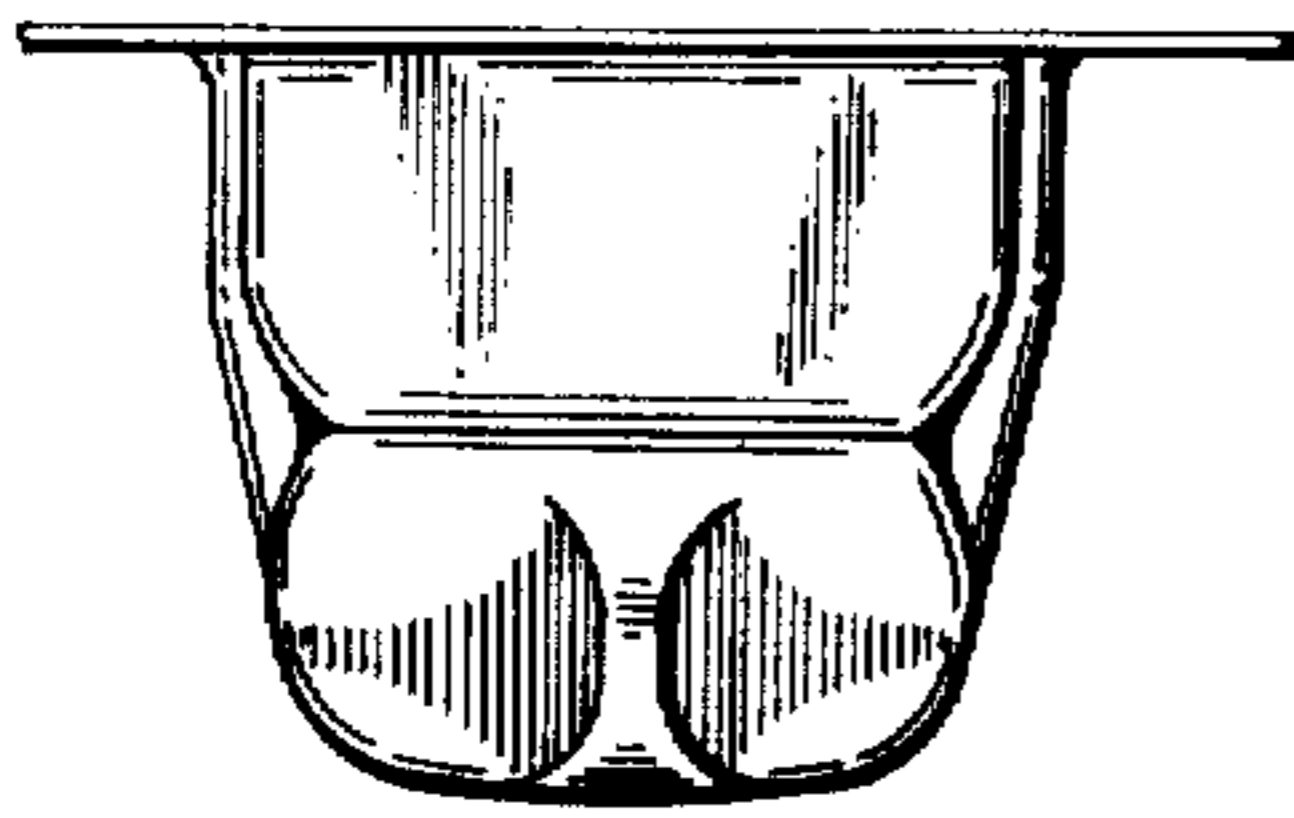


FIG. 5

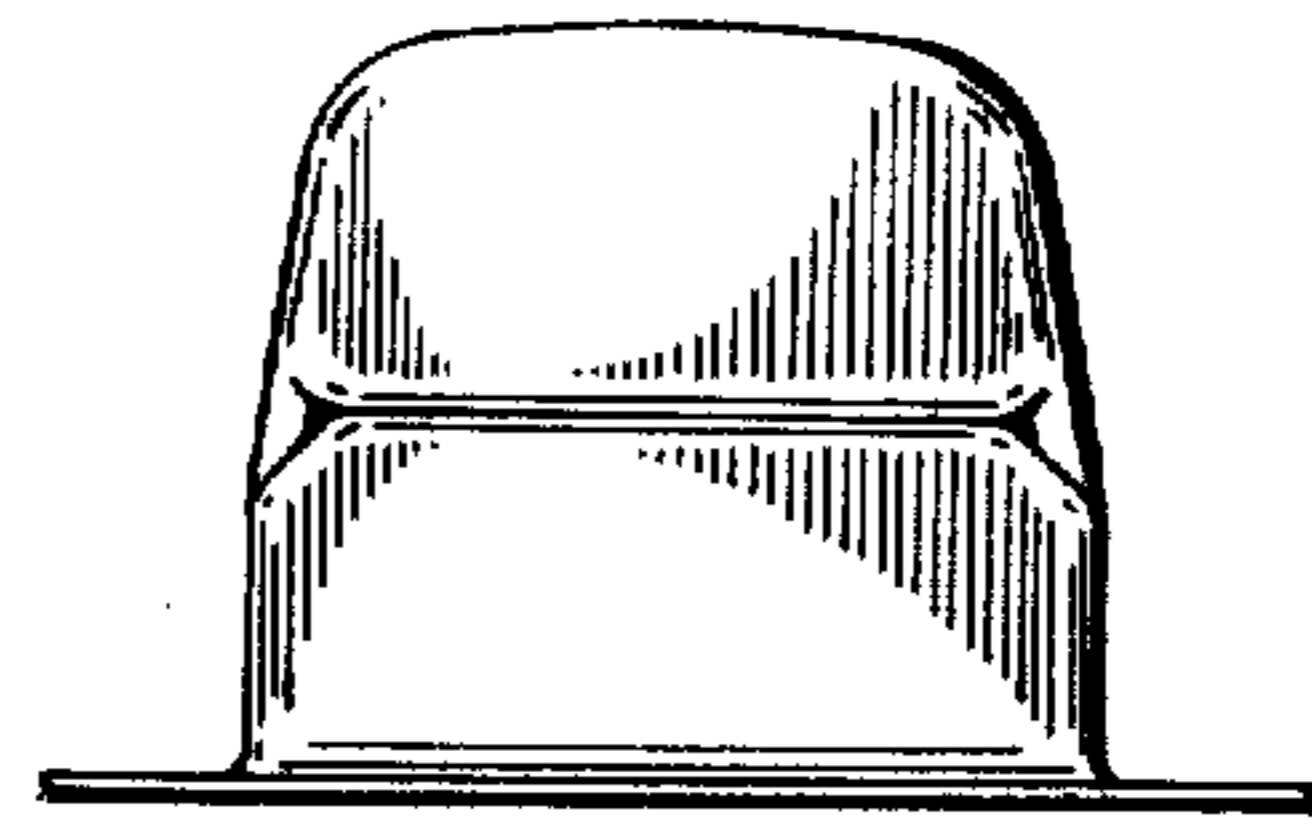


FIG. 6

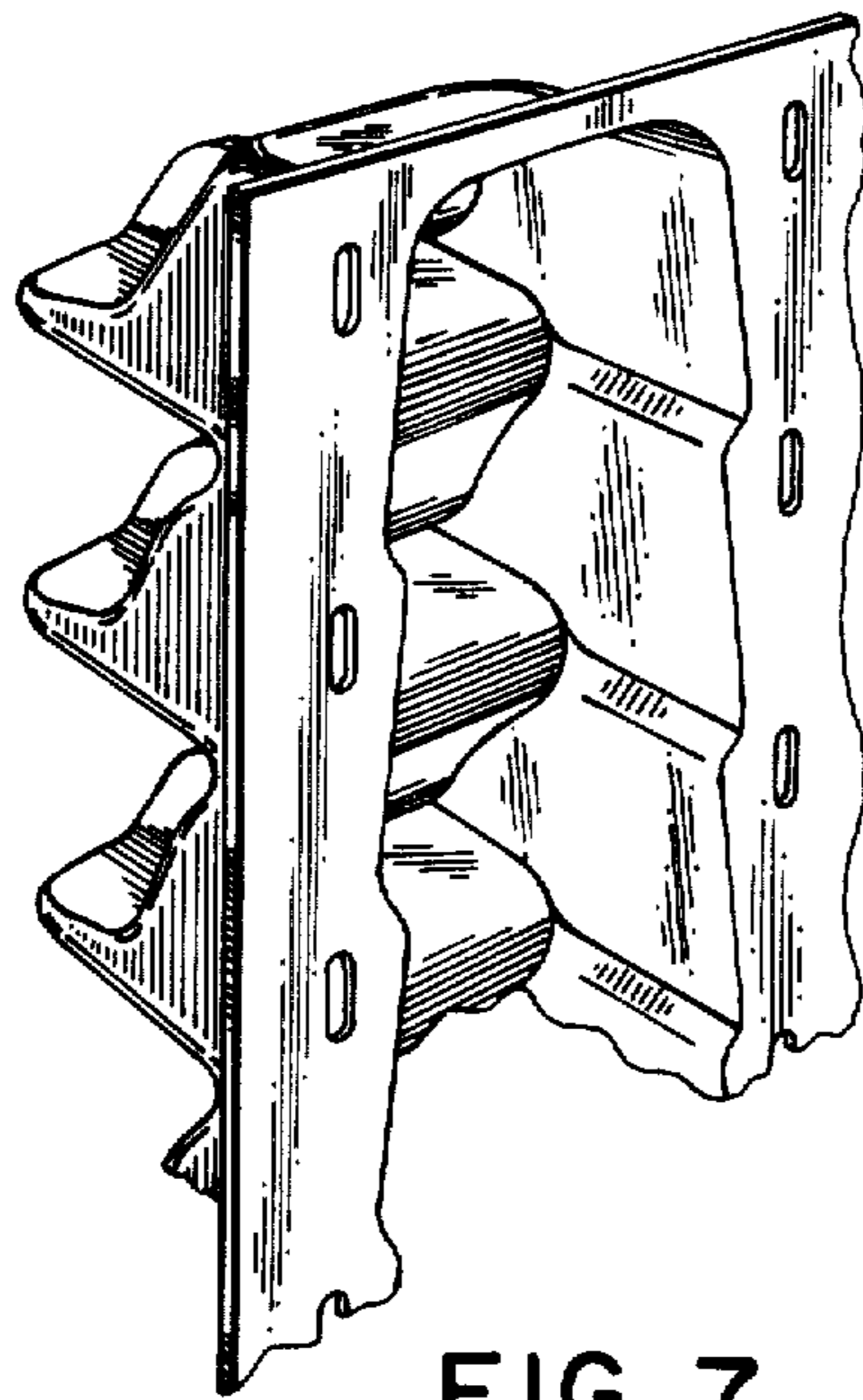


FIG. 7

FIG. 1

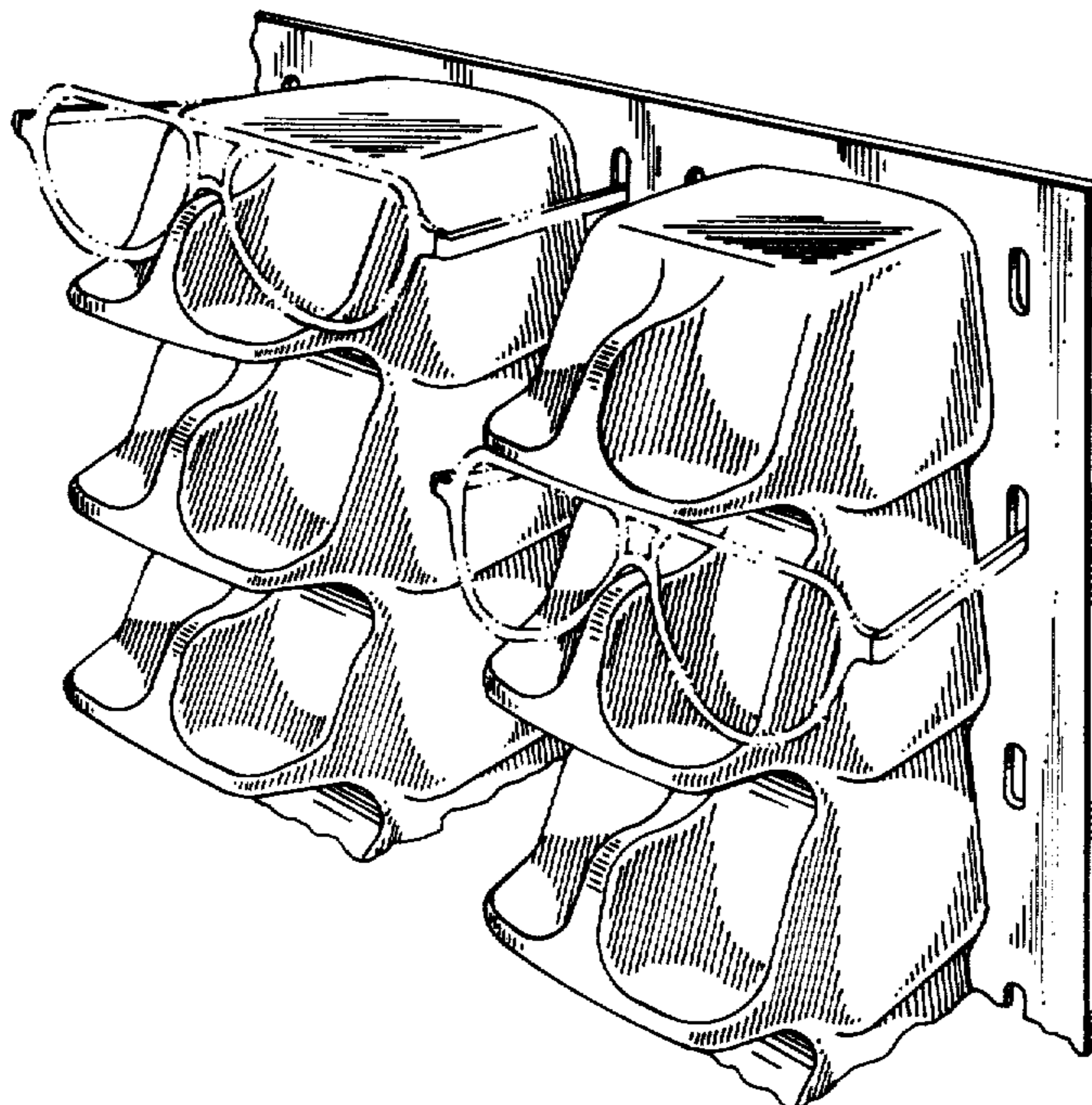


FIG. 2

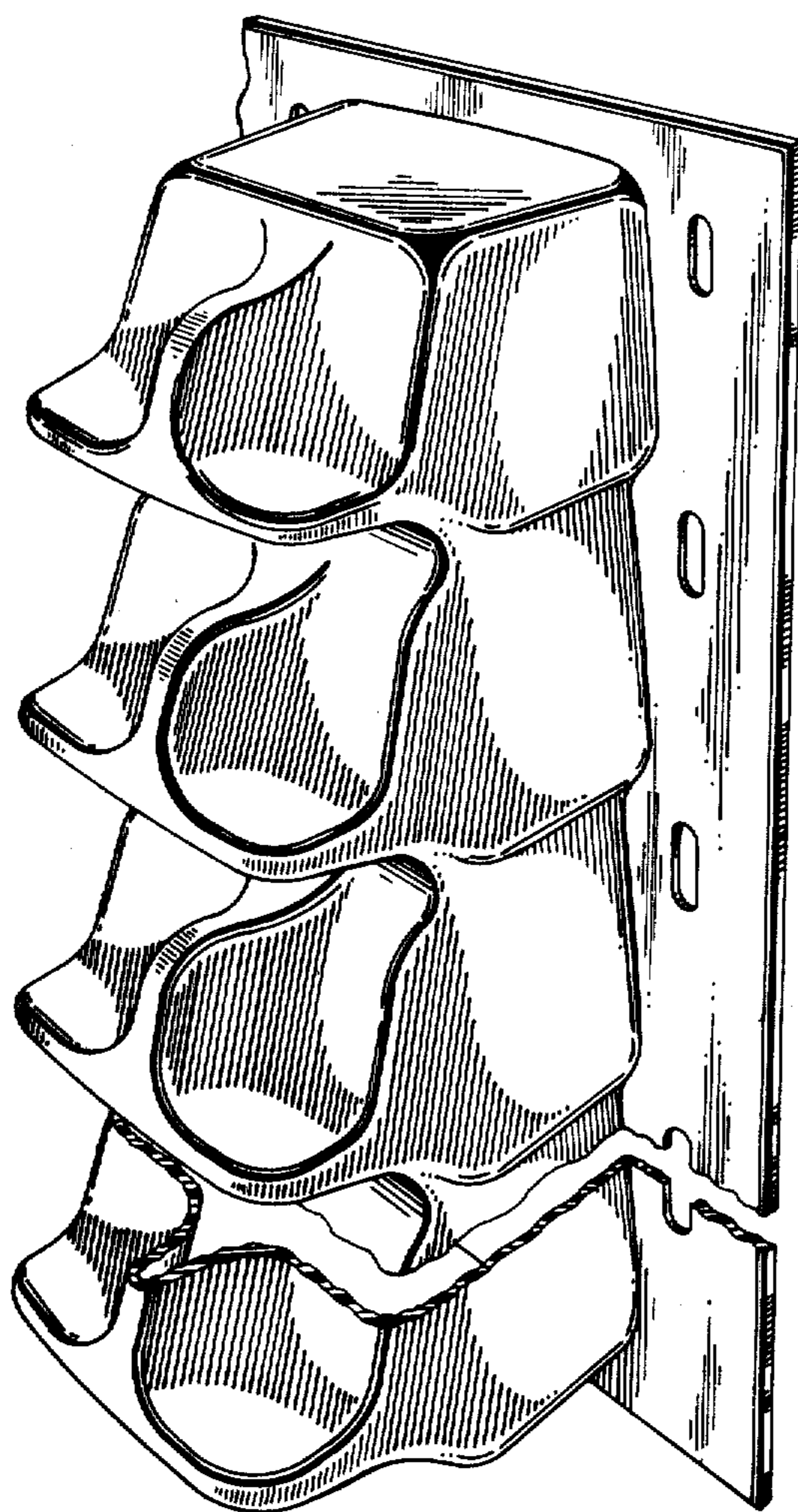


FIG. 3

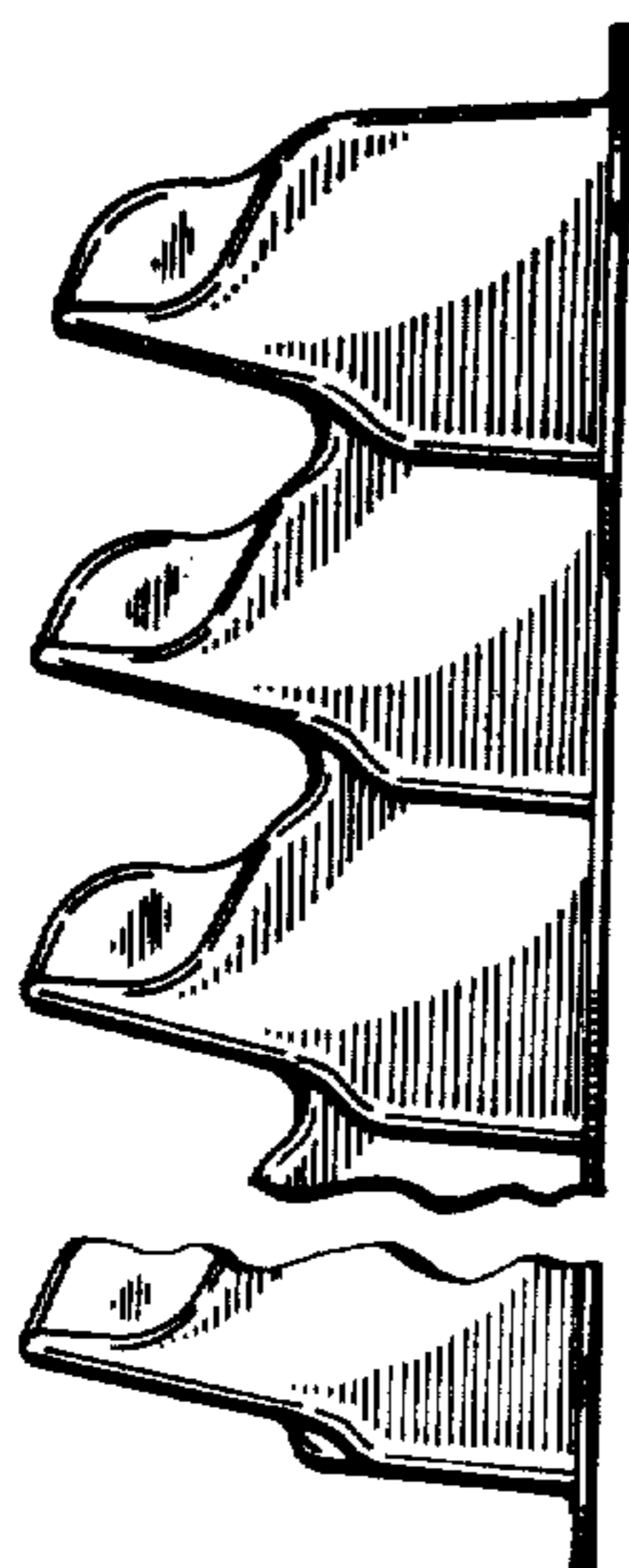


FIG. 4

