

[54] EYEGGLASS DISPLAY RACK

[75] Inventor: Milton J. Merl, New City, N.Y.

[73] Assignee: Marlboro Marketing, Inc., New York, N.Y.

[**] Term: 14 Years

[21] Appl. No.: 107,910

[22] Filed: Dec. 28, 1979

[51] Int. Cl. D20-02

[52] U.S. Cl. D6/28; D6/146; D6/157

[58] Field of Search D6/20, 23-25, D6/27-29, 85, 157, 146; 211/13, 163

[56] References Cited

U.S. PATENT DOCUMENTS

D. 174,172 3/1955 Foster D6/20

D. 212,203 9/1968 Brown D6/28

3,351,208 11/1967 Siegel 211/13

3,884,357 5/1975 Bloch 211/13

3,891,092 6/1975 Surrette et al. 211/13

Primary Examiner—B. J. Bullock
 Attorney, Agent, or Firm—Mark T. Basseches; Paula T. Basseches

[57] CLAIM

The ornamental design for an eyeglass display rack, substantially as shown and described.

DESCRIPTION

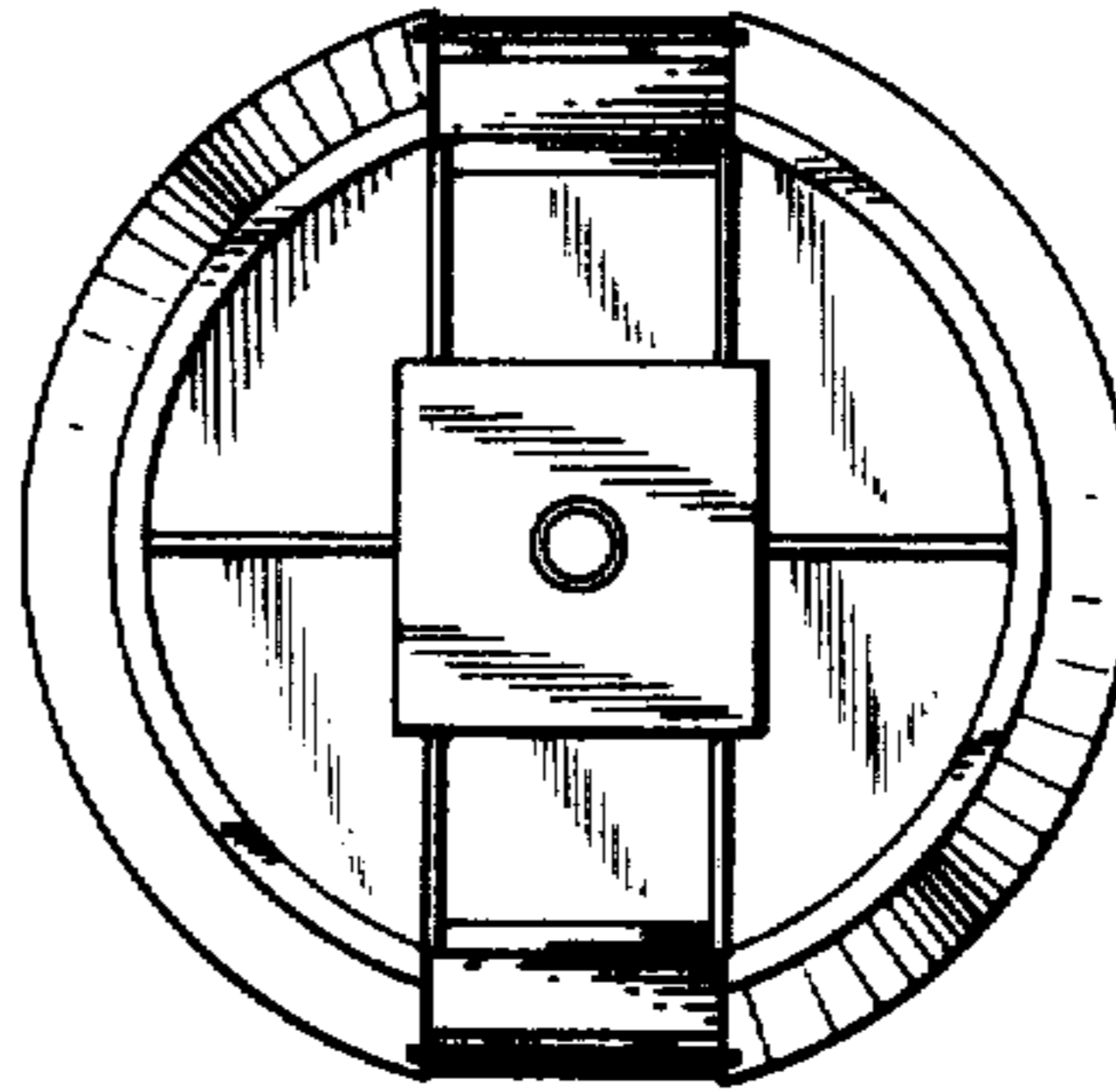
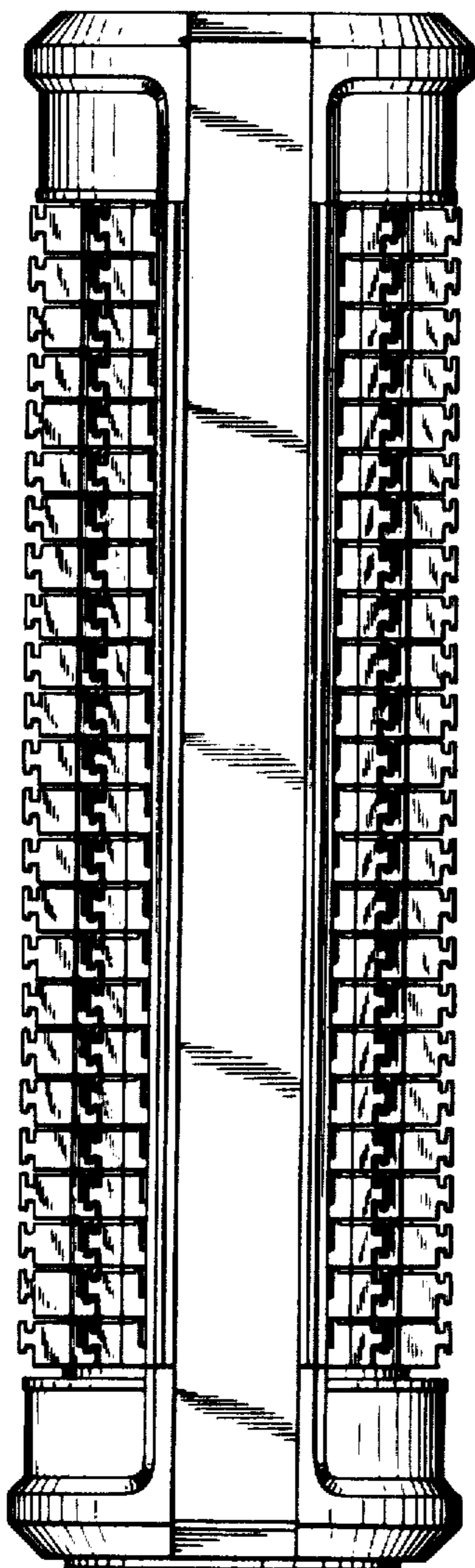
FIG. 1 is a top plan view of the eyeglass display rack showing my new design;

FIG. 2 is a side elevational view thereof;

FIG. 3 is a front elevational view thereof, the rear being identical;

FIG. 4 is a bottom plan view thereof;

FIG. 5 is a fragmentary top perspective view thereof on a slightly magnified scale.



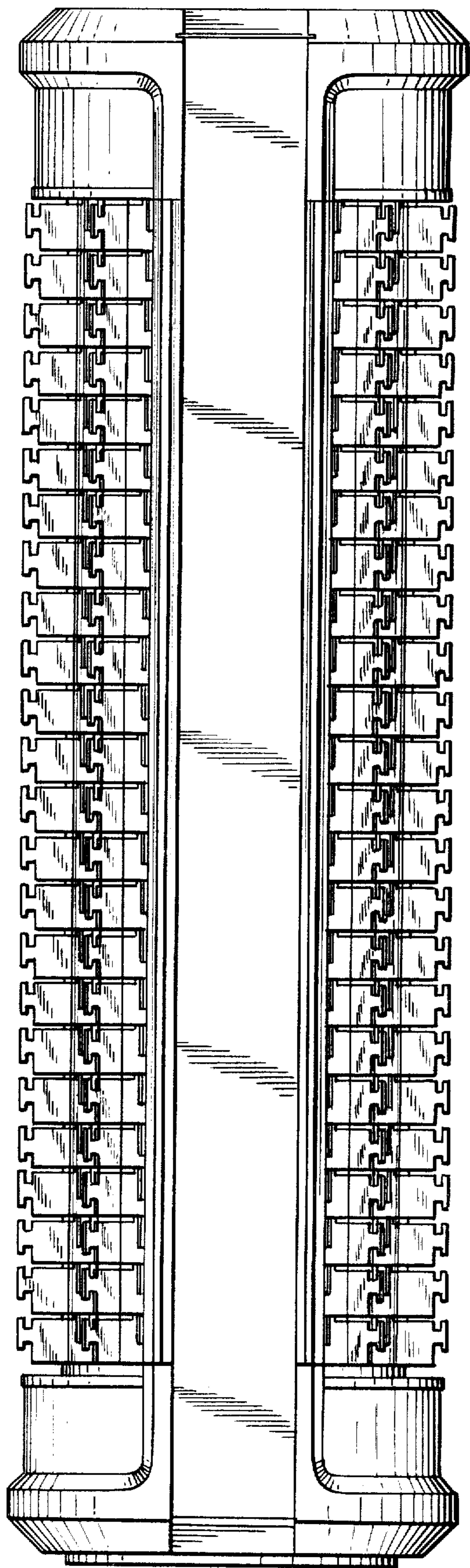


FIG. 1

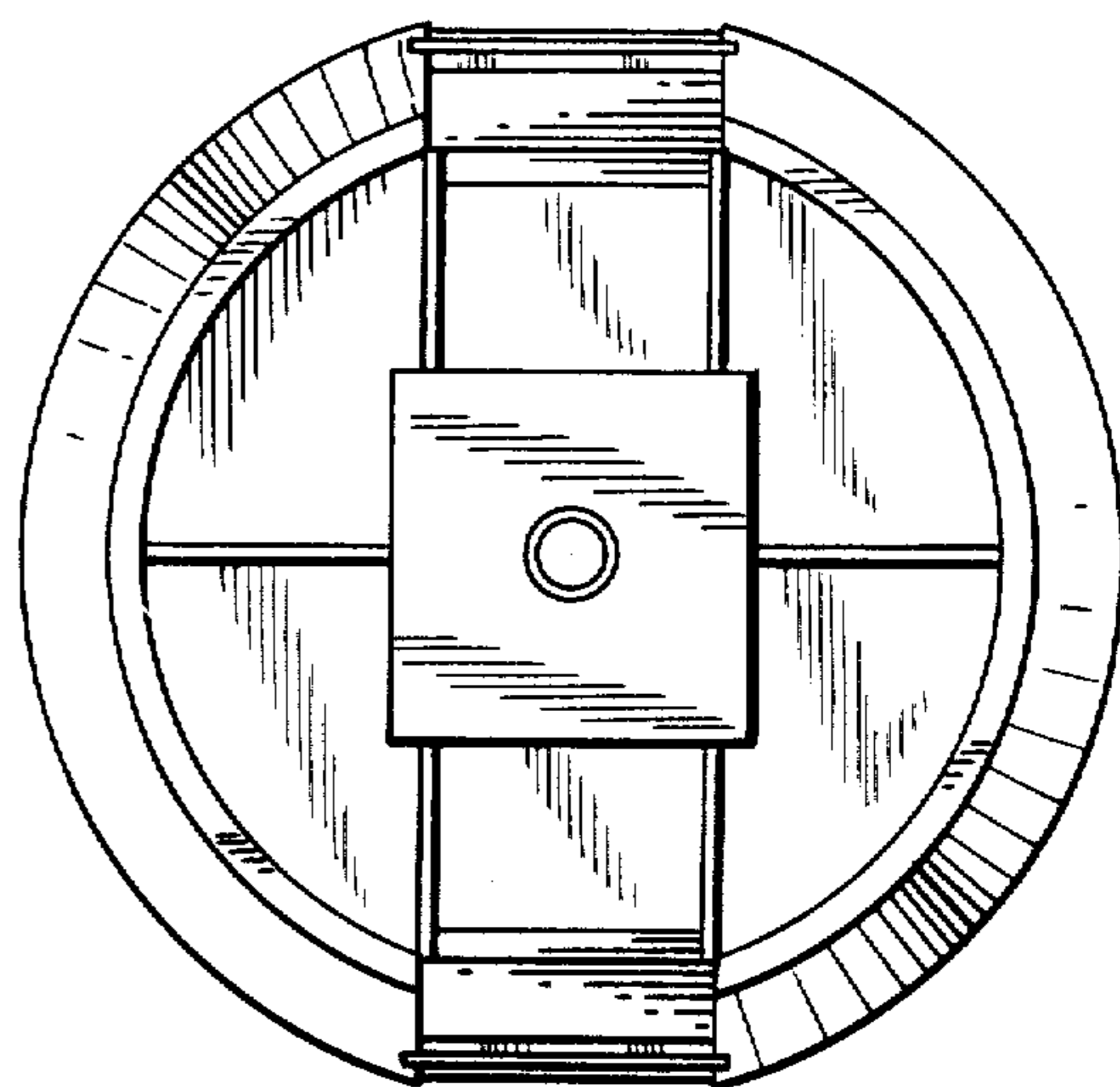


FIG. 2

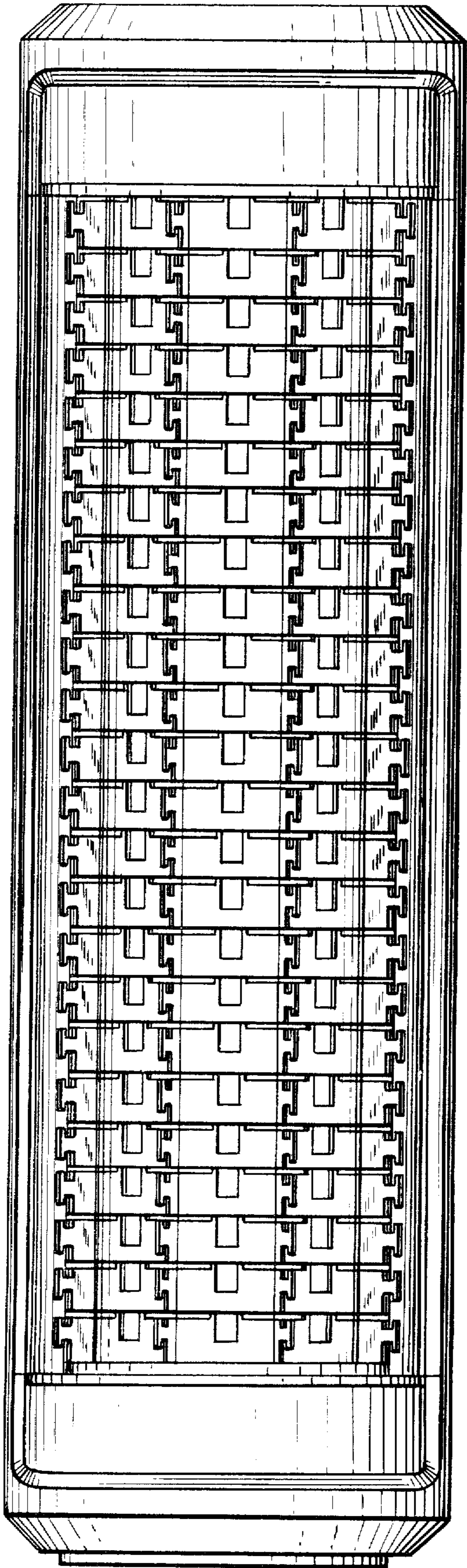


FIG. 3

FIG. 4

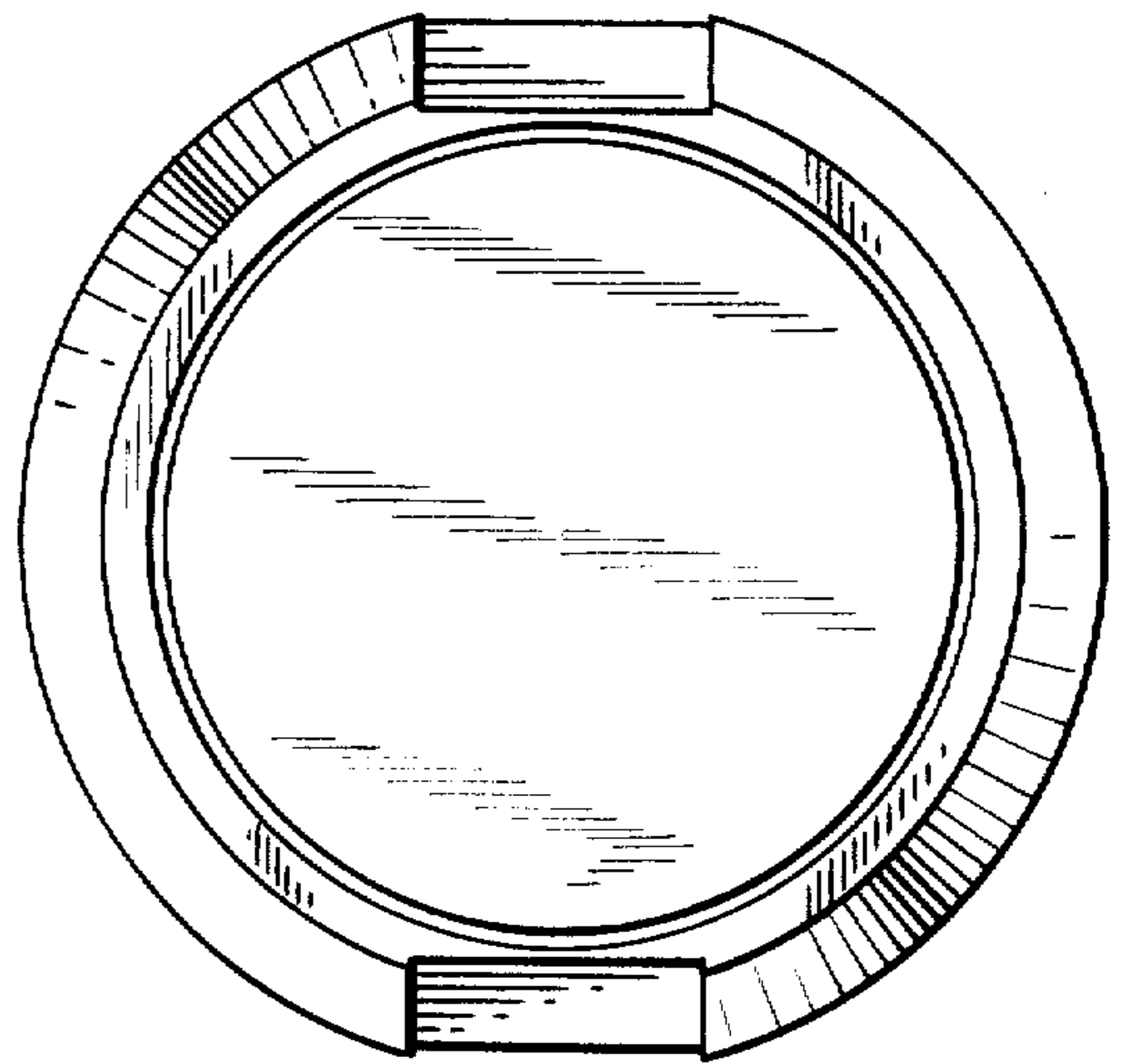


FIG. 5

