

[54] **COIN RECEPTACLE**

[75] **Inventor:** Auvo Taivalvuo, Sairakkala, Finland

[73] **Assignee:** Oy Mk-Tuote AB, Helsinki, Finland

[**] **Term:** 14 Years

[21] **Appl. No.:** 14,722

[22] **Filed:** Feb. 23, 1979

[30] **Foreign Application Priority Data**

Oct. 25, 1978 [FI] Finland 66078

[51] **Int. Cl.** D99-00

[52] **U.S. Cl.** D99/34; D99/35;
232/4 R; 46/2

[58] **Field of Search** D99/29, 30, 34, 35,
D99/37, 38, 39, 40; 232/4 R, 4 D; 46/2, 3, 4, 5

[56] **References Cited**

U.S. PATENT DOCUMENTS

D. 161,937 2/1951 Kelly D99/35
D.252,434 7/1979 Wright D6/189
1,408,795 3/1922 Aronson 232/4 R

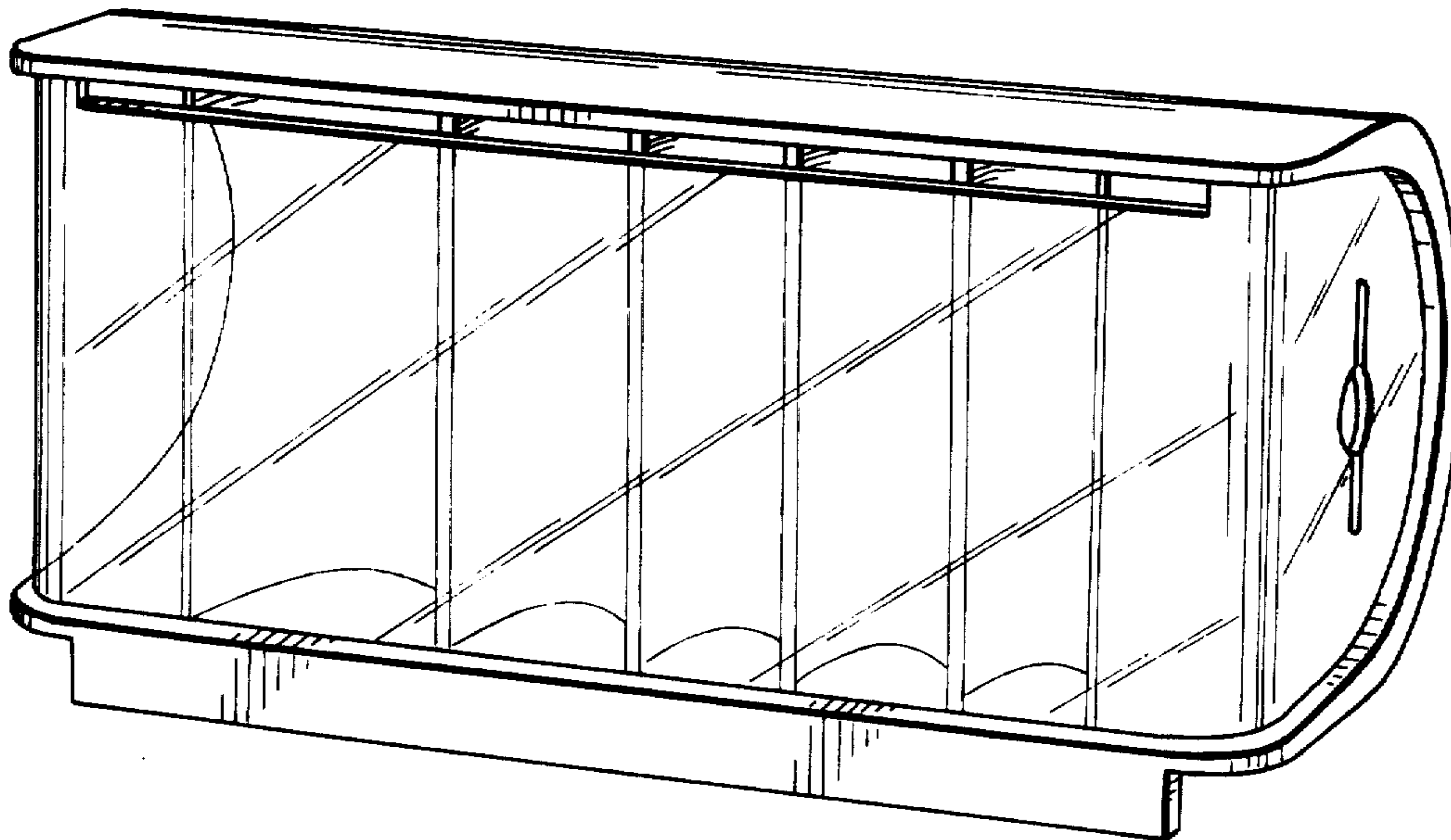
Primary Examiner—Veronica O'Keefe
Attorney, Agent, or Firm—Fleit & Jacobson

[57] **CLAIM**

The ornamental design for coin receptacle, as shown and described.

DESCRIPTION

FIG. 1 is a perspective view of coin receptacle showing my new design;
FIG. 2 is right side view thereof;
FIG. 3 is a left side view thereof;
FIG. 4 is a top view thereof;
FIG. 5 is a front view thereof;
FIG. 6 is a bottom view thereof; and
FIG. 7 is a back view thereof.



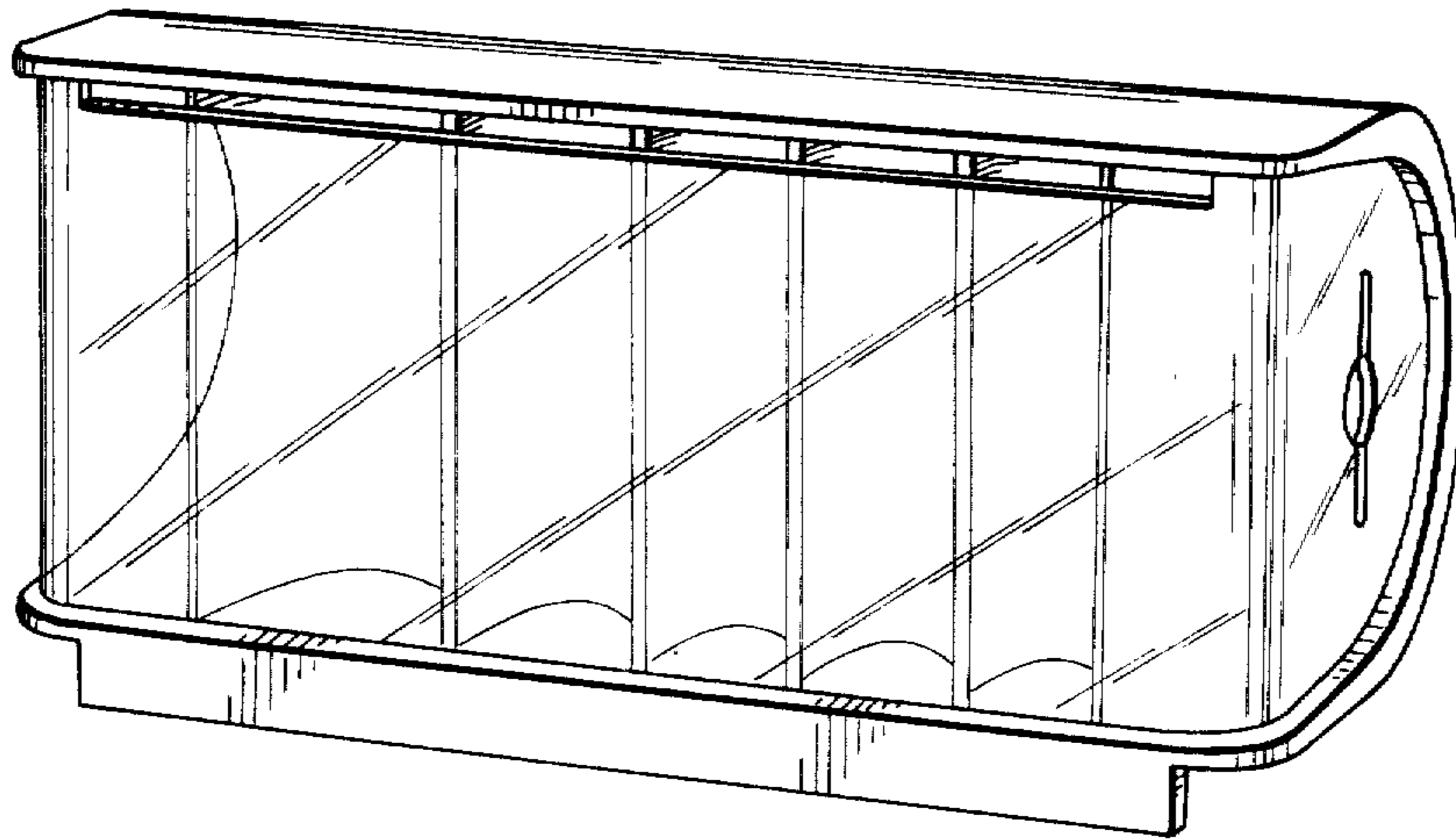


FIG. 1

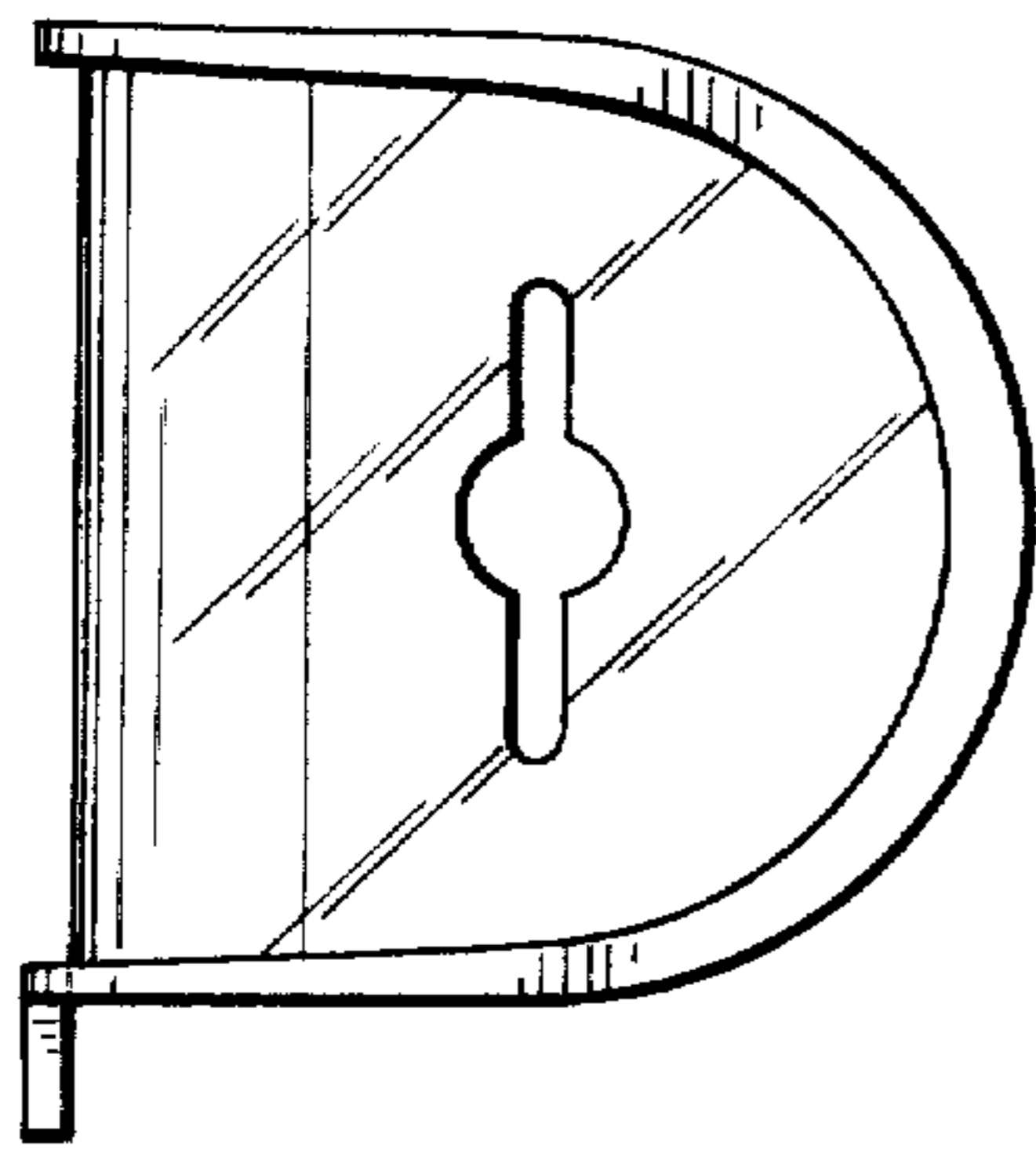


FIG. 2

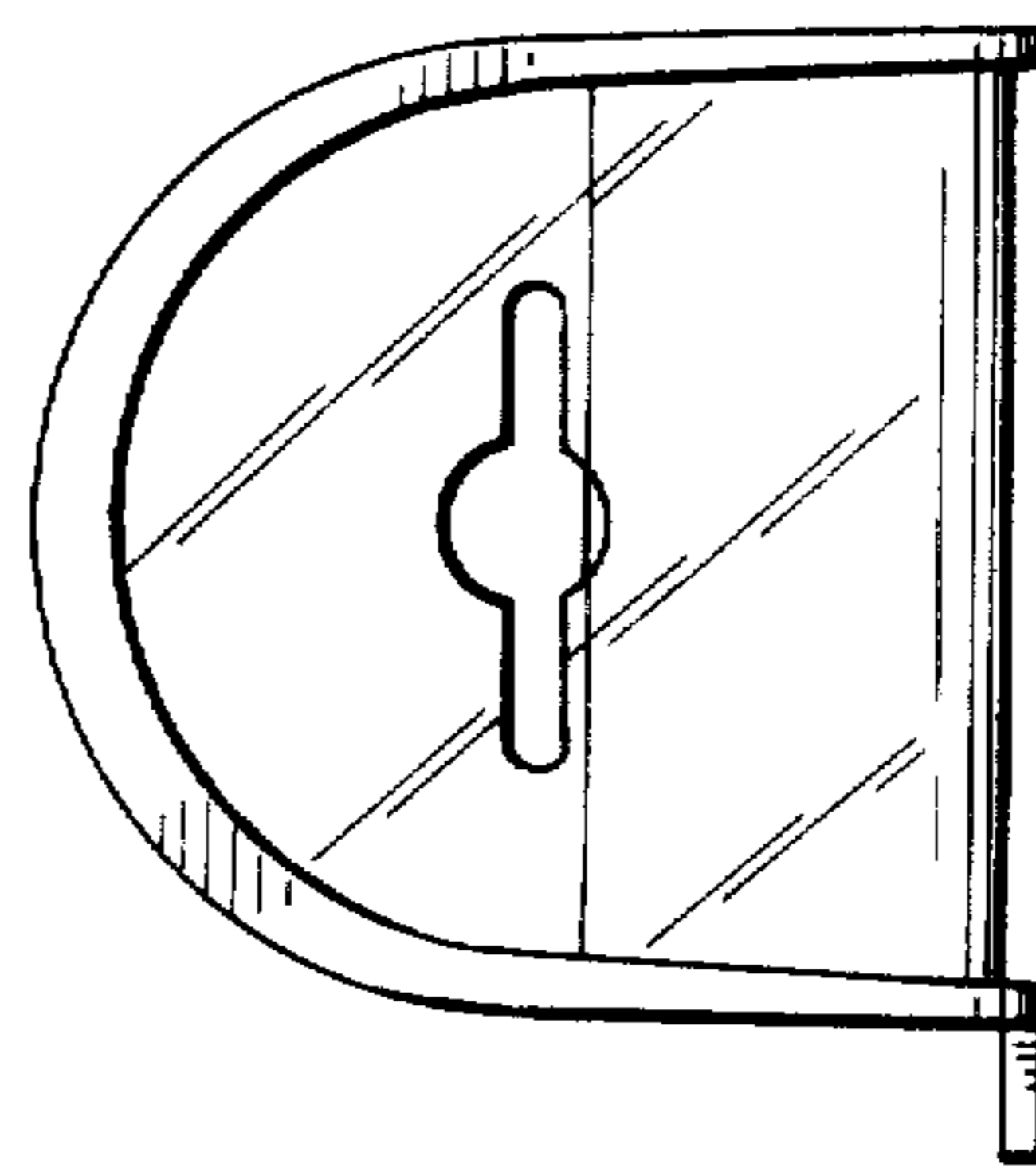


FIG. 3

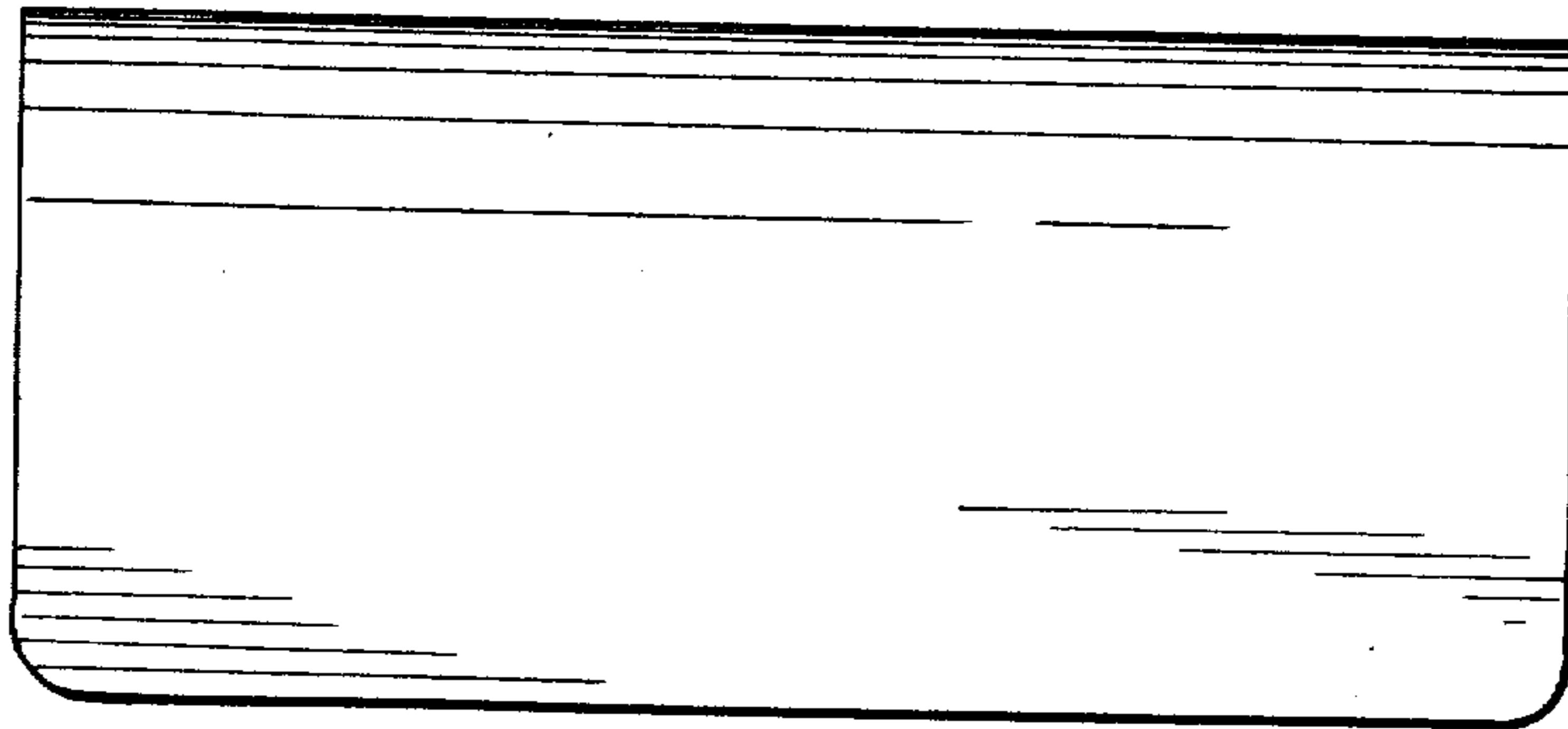


FIG. 4

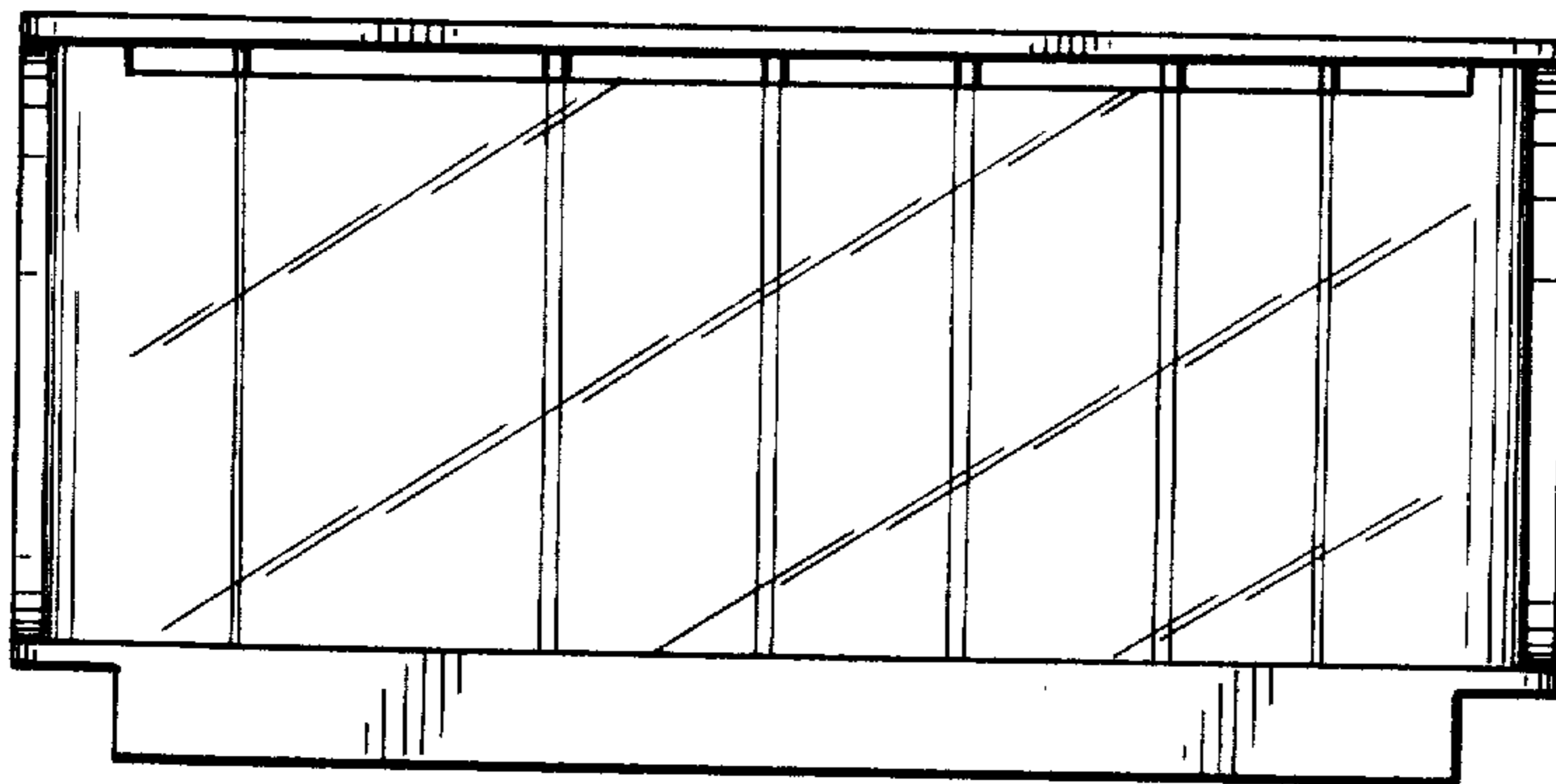


FIG. 5

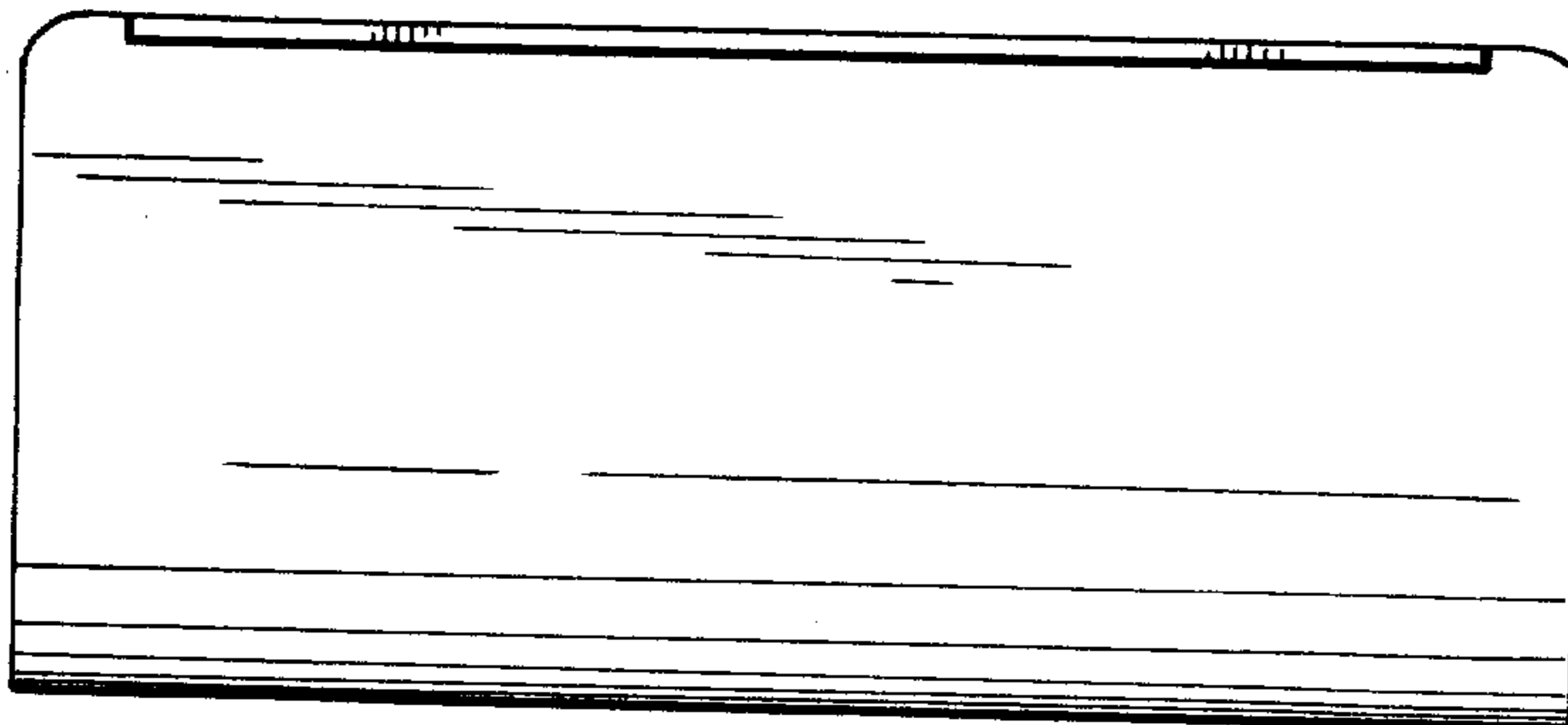


FIG. 6

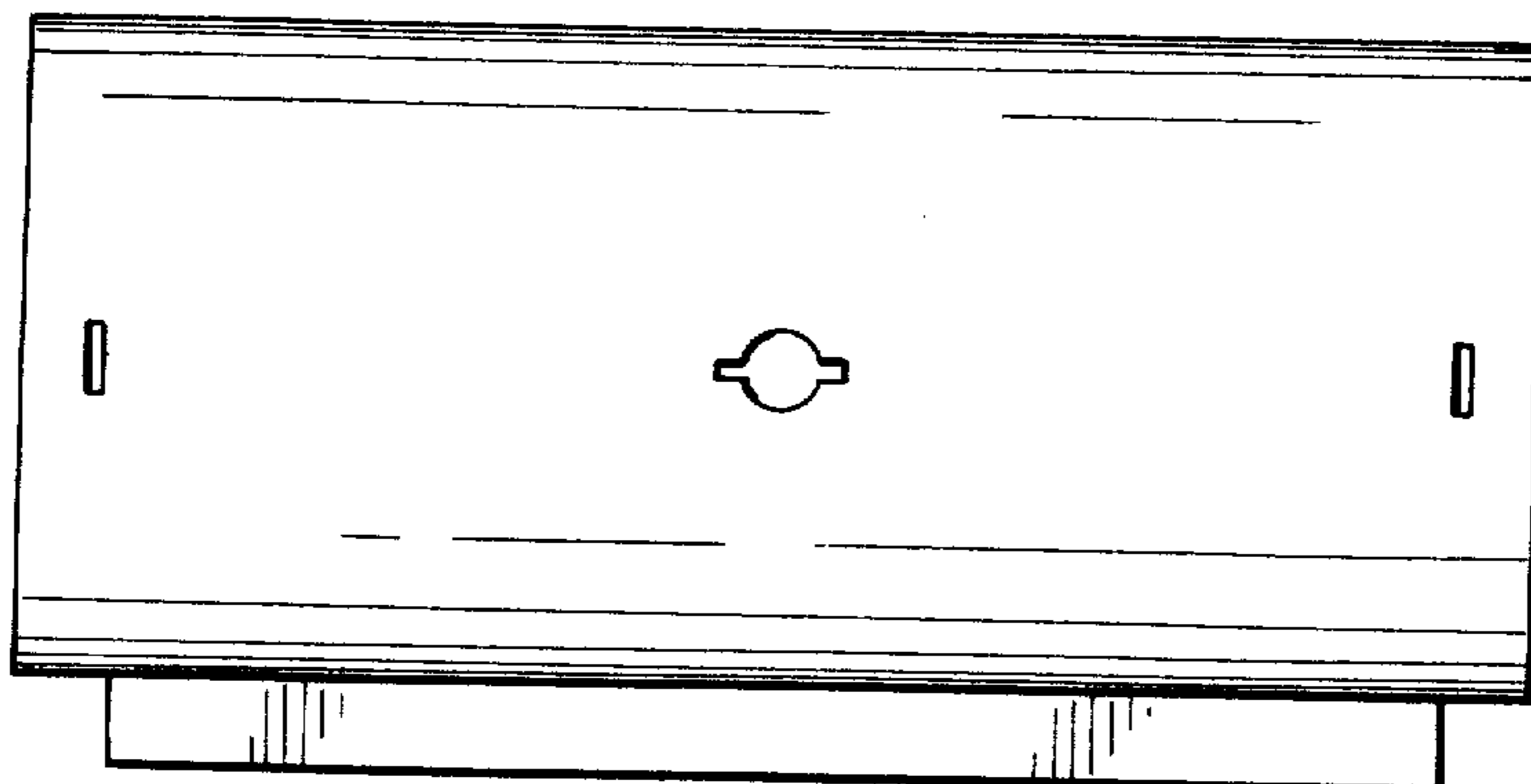


FIG. 7