

[54] CUTTING WIRE FOR PLASTER-OF-PARIS BANDAGE

[75] Inventor: Karl I. Wahl, Ekerö, Sweden

[73] Assignee: Landstingens Inkopscentral, LIC, Solna, Sweden

[**] Term: 14 Years

[21] Appl. No.: 24,087

[22] Filed: Mar. 26, 1979

[30] Foreign Application Priority Data

Mar. 13, 1979 [SE] Sweden 790643

[51] Int. Cl. D24-02

[52] U.S. Cl. D24/28; D8/307; D24/99

[58] Field of Search D24/28; 433/225; 40/20, 40/300, 2 R; D8/300, 307; 30/116; 145/31 R; 206/603, 616, 617, 238, 239; D9/252, 249

[56]

References Cited

U.S. PATENT DOCUMENTS

381,919	5/1888	Eysenbach	206/617 X
985,850	3/1911	Smith	206/616
1,967,888	7/1934	Kearsley	30/116 X
1,979,641	11/1934	Robertson	206/617
2,331,204	10/1943	Lehmer	206/603
2,342,695	2/1944	Rinaldy	30/116 X
2,654,964	10/1953	Stoll	206/616 X
2,818,622	1/1958	Clevett, Jr.	D9/252
3,397,775	8/1968	Seiferth et al.	D9/249 X

Primary Examiner—Bernard Ansher

Attorney, Agent, or Firm—Witherspoon & Hargest

[57]

CLAIM

The ornamental design for the cutting wire for plaster-of-paris bandage, as shown and described.

DESCRIPTION

FIG. 1 is a bottom perspective view of a cutting wire for plaster-of-paris bandages showing my new design; FIG. 2 is a top perspective view thereof; FIG. 3 is a bottom perspective view with the string elements omitted, for clarity of disclosure; and FIG. 4 is a top perspective view thereof.

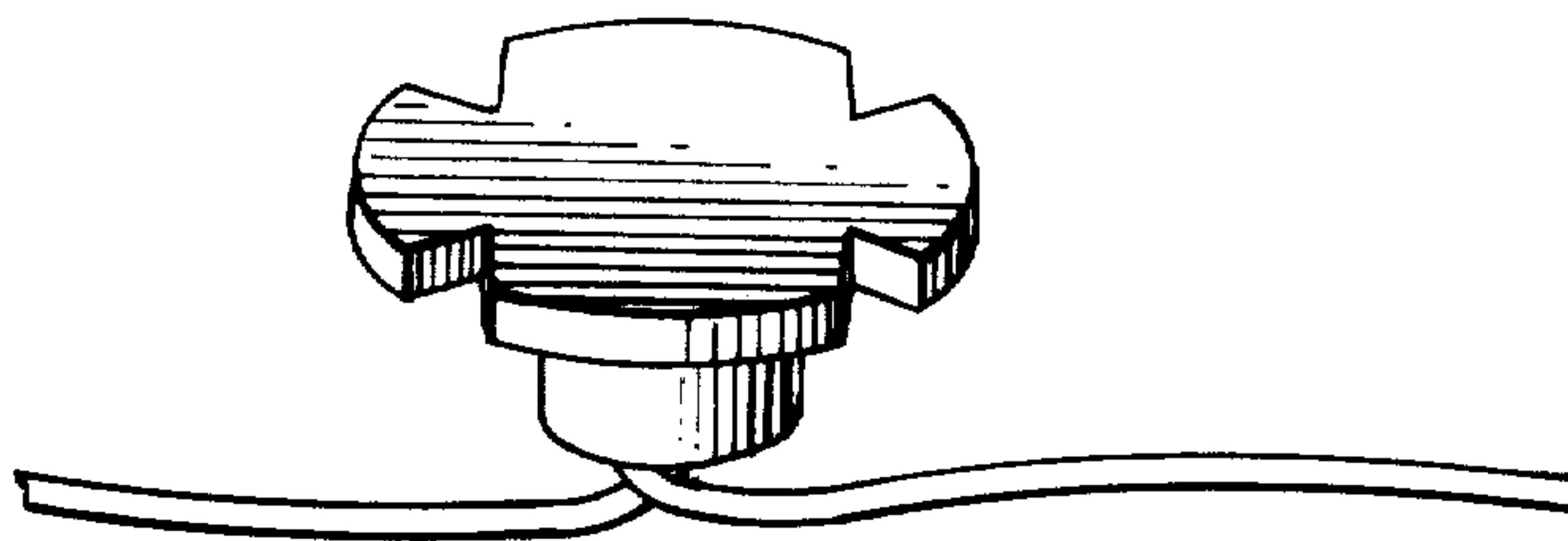


FIG. 1.

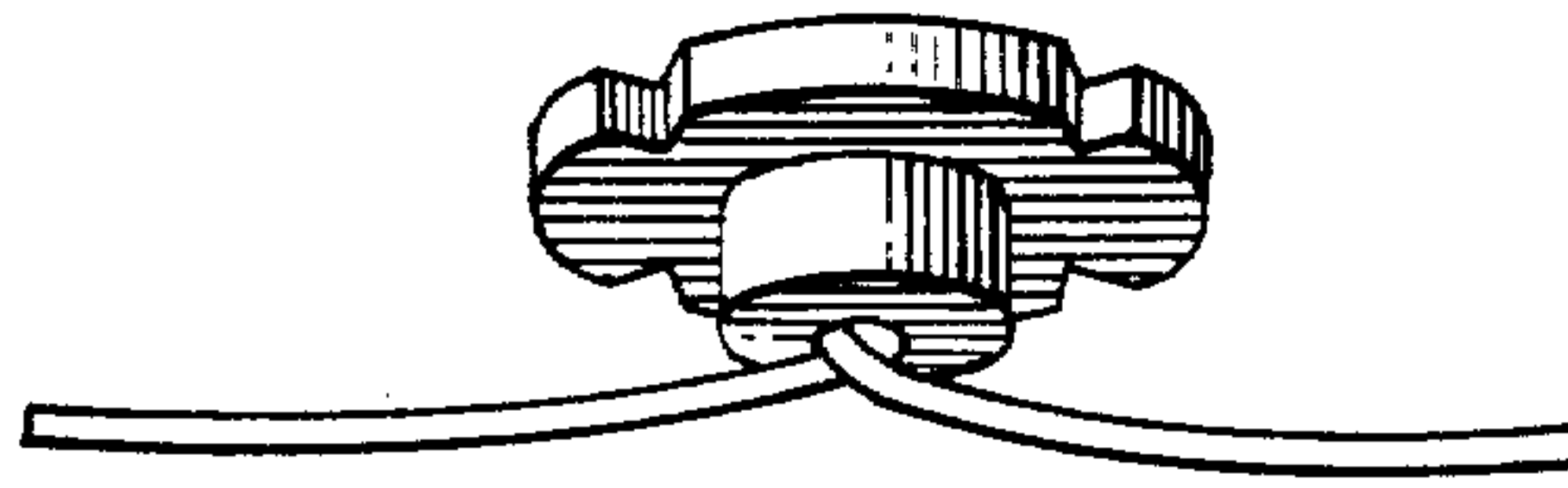


FIG. 2.

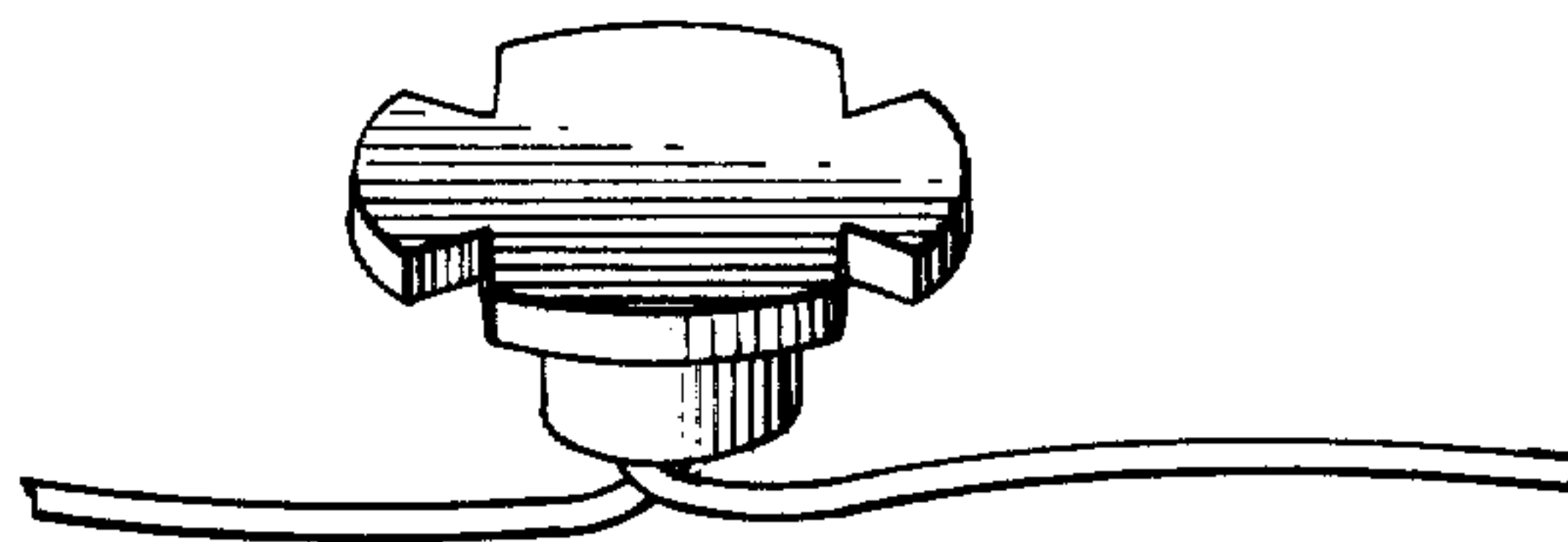


FIG. 3.

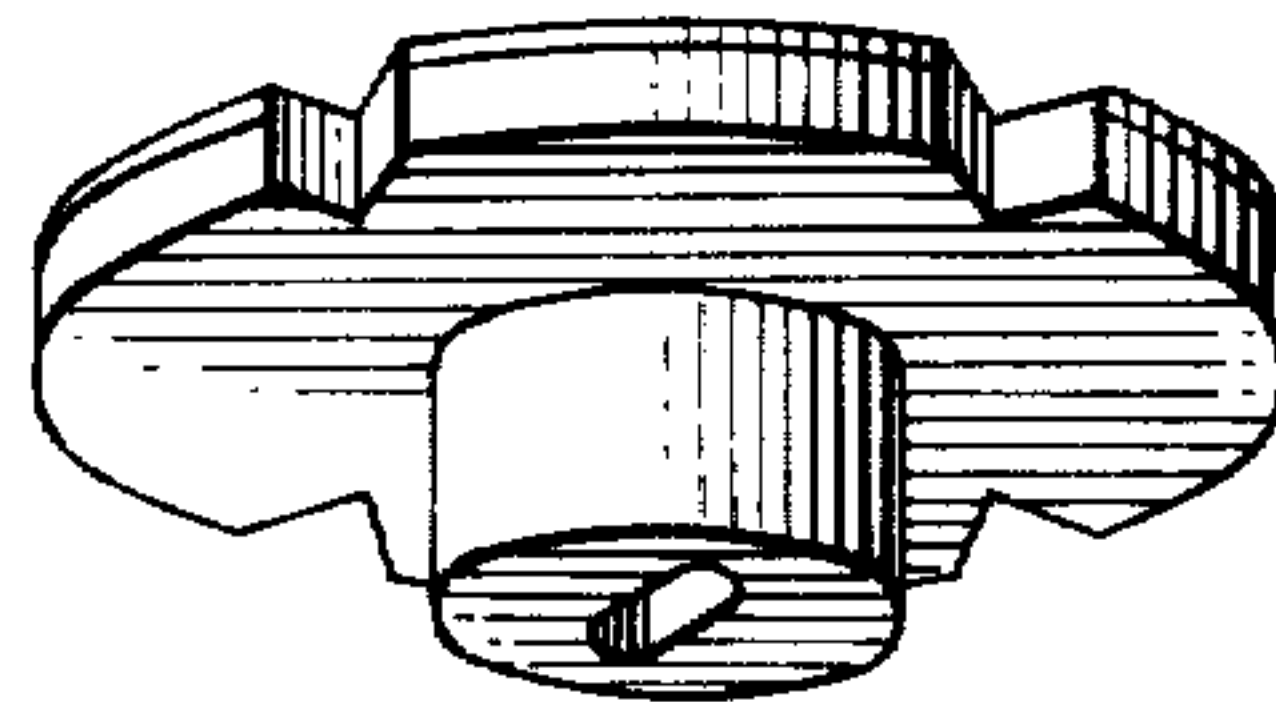


FIG. 4.

