

[54] COMBINED SYRINGE BARREL, NEEDLE HOOD AND CAP THEREFOR

[75] Inventor: Norman L. Nitshke, Central Square, N.Y.

[73] Assignee: Bristol-Myers Company, New York, N.Y.

[\*\*] Term: 14 Years

[21] Appl. No.: 937,674

[22] Filed: Aug. 28, 1978

[51] Int. Cl. .... D24-02

[52] U.S. Cl. .... D24/25; D24/24

[58] Field of Search ..... D24/24, 25, 60, 61; 206/365; 128/218 N, 221

[56] References Cited

U.S. PATENT DOCUMENTS

D. 238,617	1/1976	Richman	.....	D24/25
D. 251,502	4/1979	Bridle	.....	D24/24
3,107,785	10/1963	Roehr	.....	206/365
3,376,866	4/1968	Ogle	.....	128/220
3,542,023	11/1970	Ogle	.....	128/218
3,678,931	7/1972	Cohen	.....	128/220
3,826,261	7/1974	Killinger	.....	128/272
3,828,779	8/1974	Ogle	.....	128/272
3,889,673	6/1975	Dovey	.....	128/215
3,945,382	3/1976	Ogle	.....	128/272
4,059,112	11/1977	Tischlinger	.....	128/272.3
4,078,565	3/1978	Genese	.....	128/220

FOREIGN PATENT DOCUMENTS

1441924 3/1969 German Democratic Rep. .

Primary Examiner—Sam Rosen  
Attorney, Agent, or Firm—Jones, Tullar & Cooper

[57] CLAIM

The ornamental design for a combined syringe barrel, needle hood and cap therefor, substantially as shown and described.

DESCRIPTION

FIG. 1 is a perspective view of a combined syringe barrel, needle hood and cap therefor showing my new design;

FIG. 2 is a side elevation view thereof;

FIG. 3 is a right end elevational view thereof;

FIG. 4 is a left end elevational view thereof;

FIG. 5 is a perspective view of a modified embodiment thereof showing a reduced barrel;

FIG. 6 is a side elevational view of FIG. 5;

FIG. 7 is a right side elevational view of FIG. 5;

FIG. 8 is a left side elevational view of FIG. 5;

FIG. 9 is a side elevational view of the cap for the needle hood;

FIG. 10 is an enlarged fragmented right end perspective view showing the inside of the cap of FIG. 9;

FIG. 11 is a right end elevational view of FIG. 9;

FIG. 12 is a left end elevational view of FIG. 9;

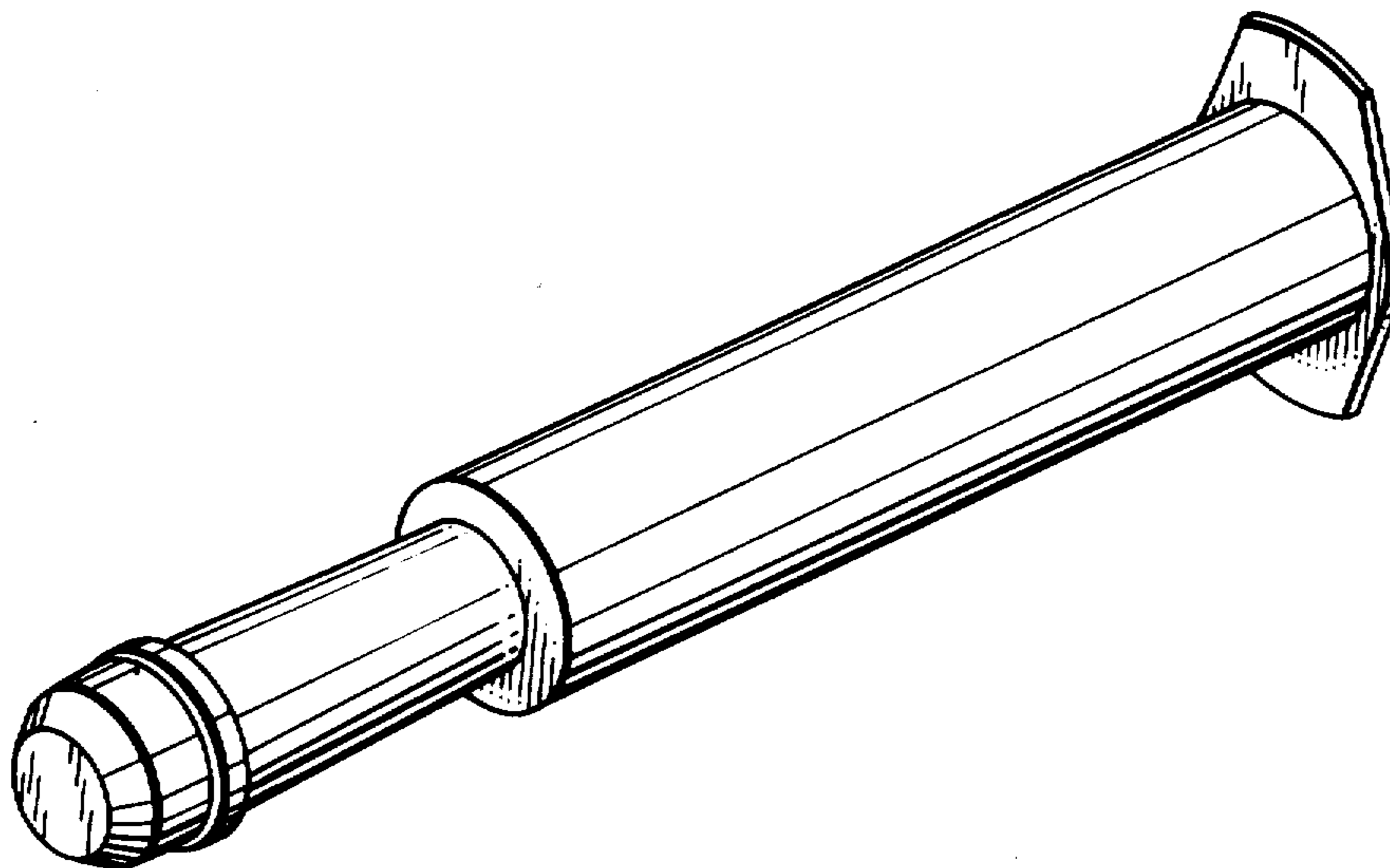
FIG. 13 is a side elevational view of the needle hood;

FIG. 14 is a perspective view of the needle hood of FIG. 13;

FIG. 15 is a right end elevational view of FIG. 13; and

FIG. 16 is a left end elevational view of FIG. 13.

The cap and needle hood are separately shown in FIGS. 9-16 to show to more completely show their detail.



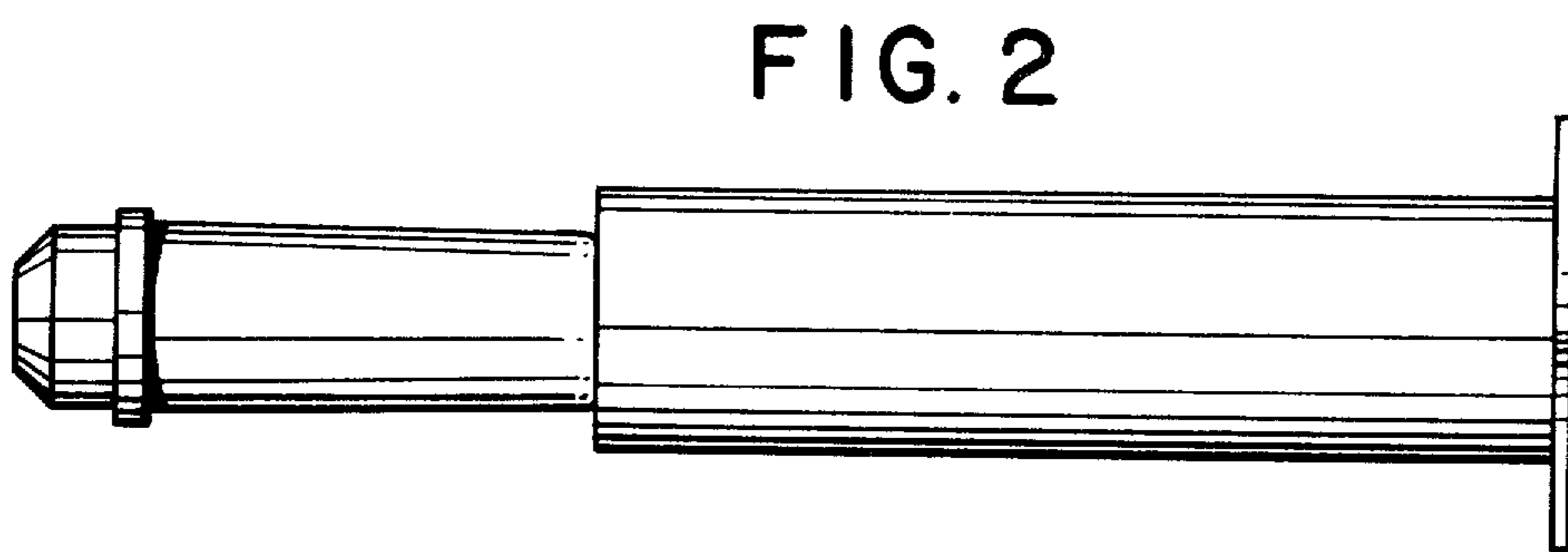
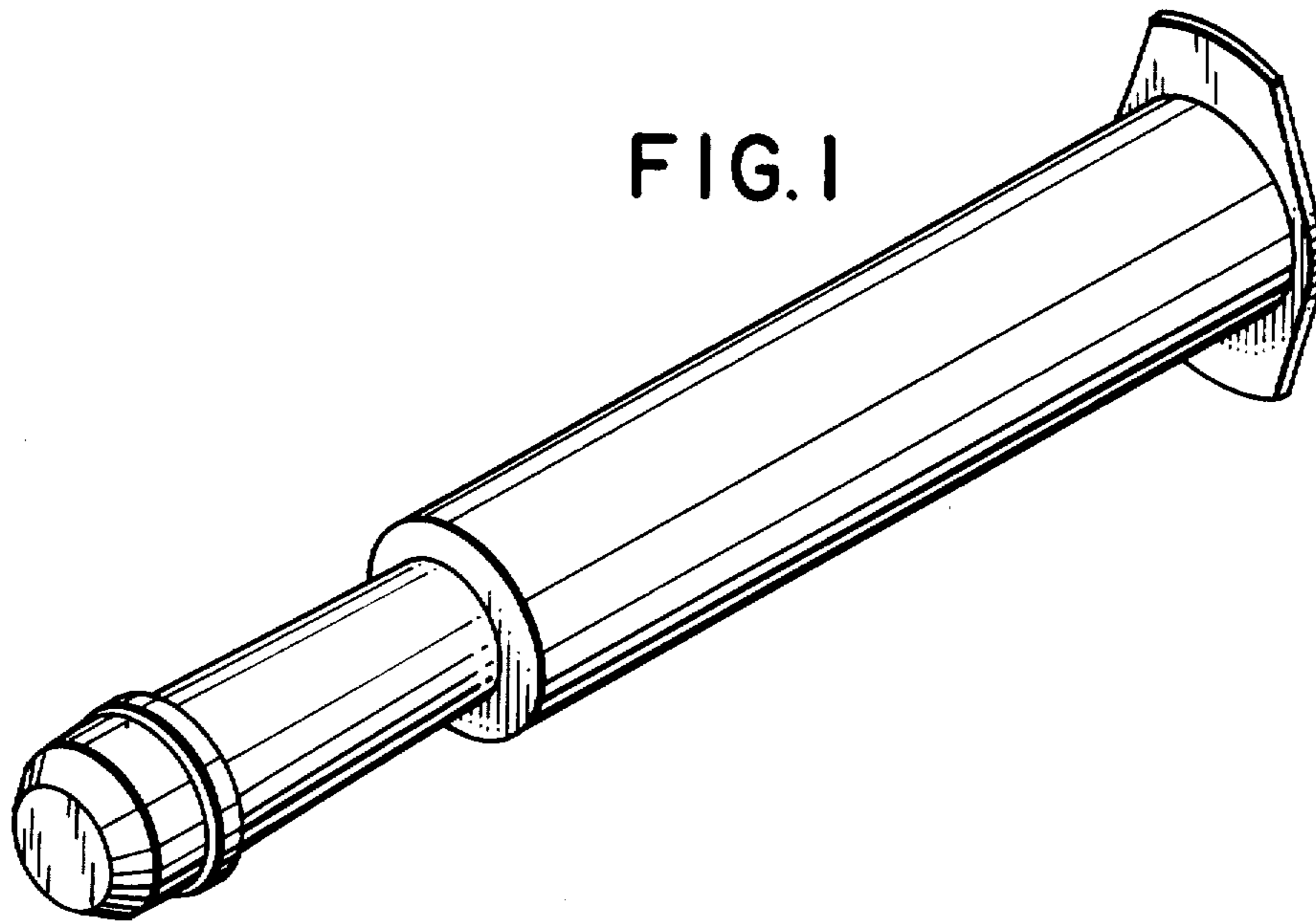


FIG. 3

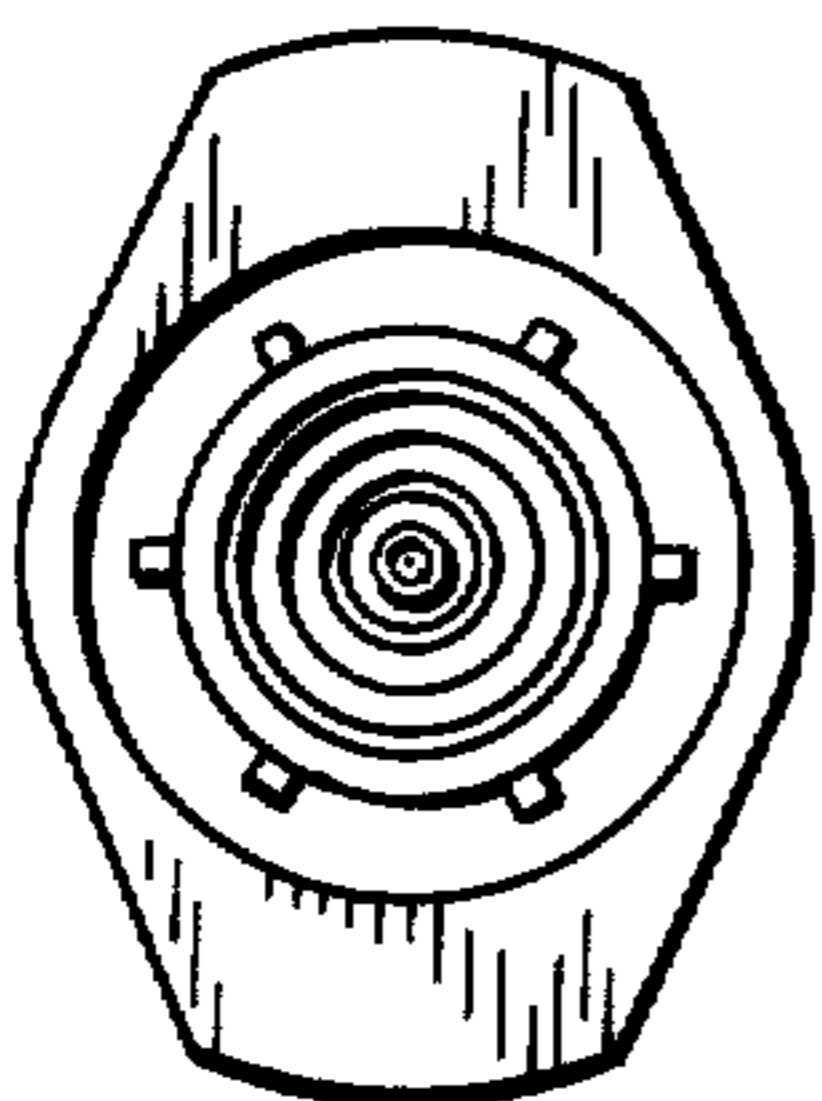
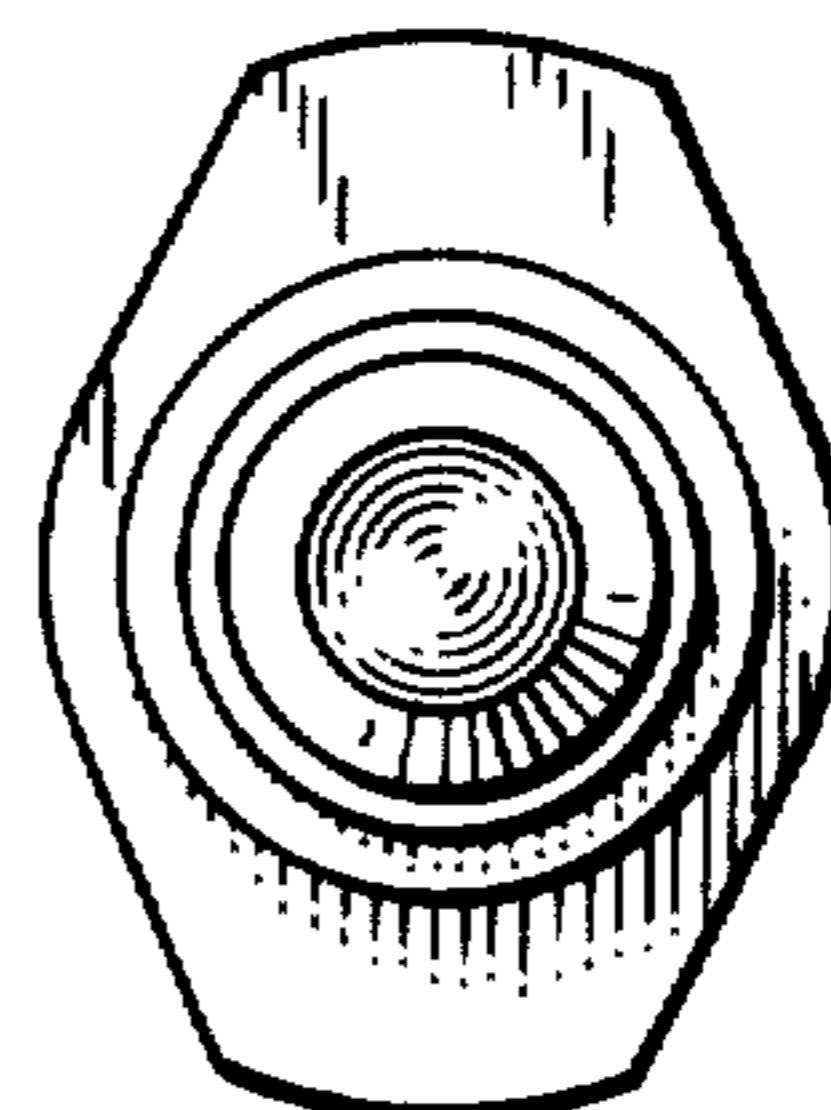


FIG. 4



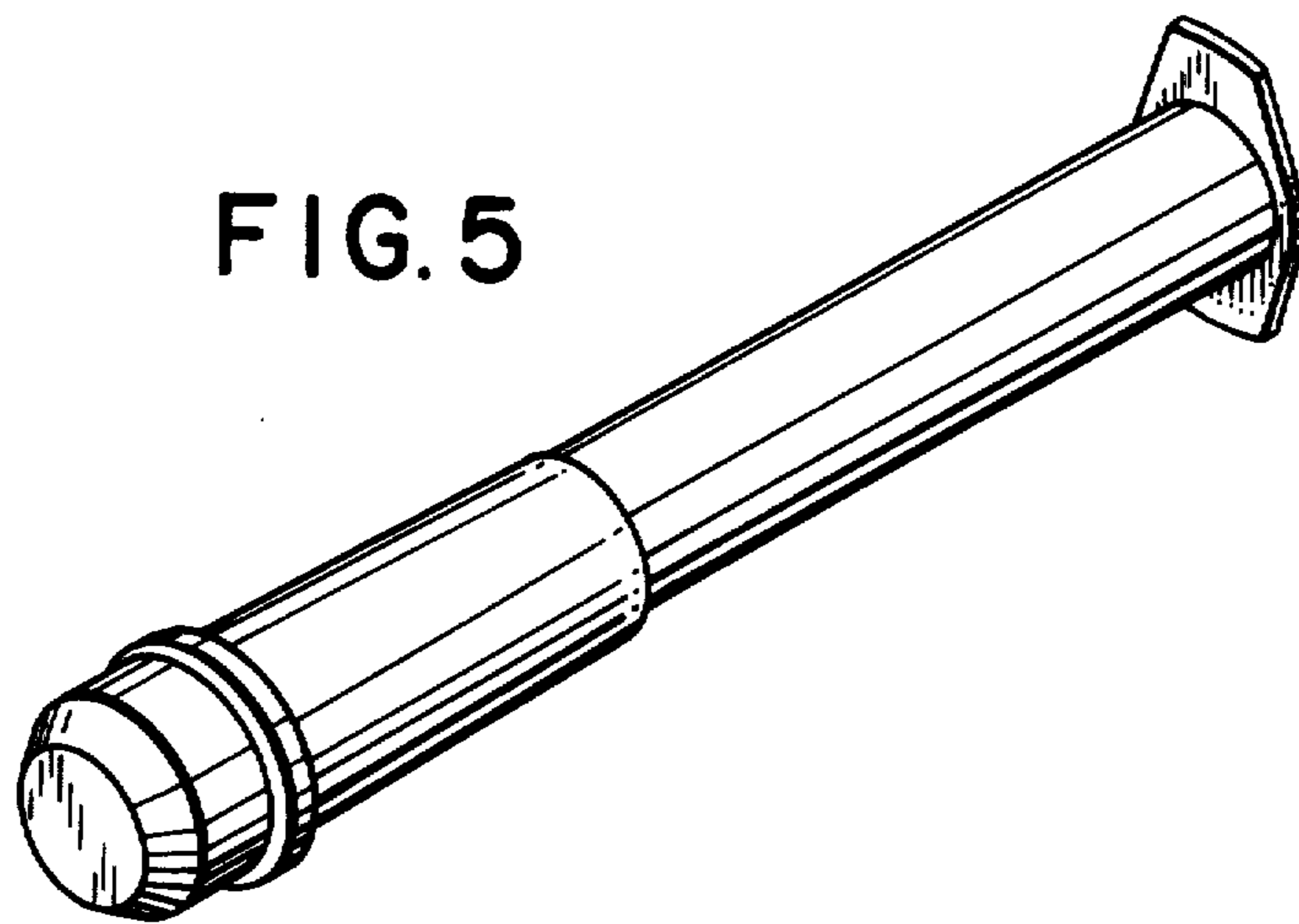


FIG. 5

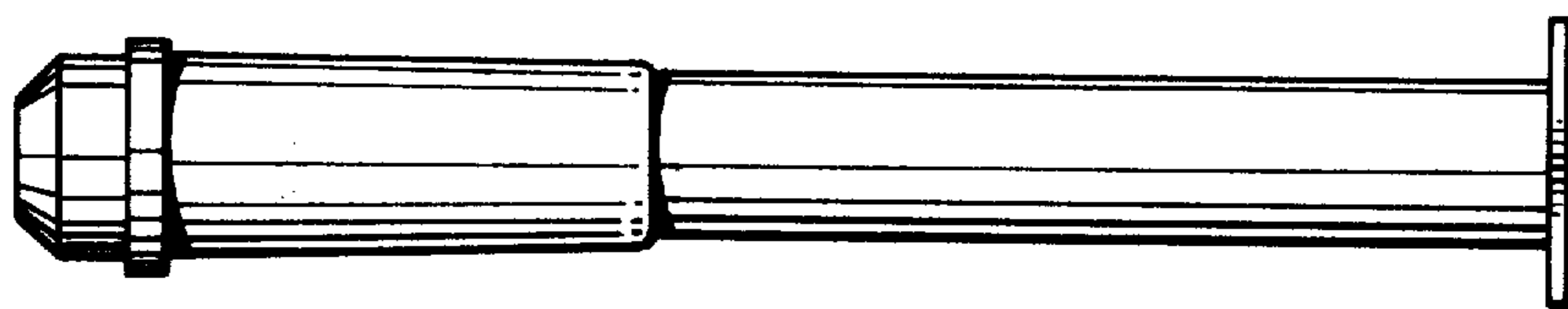


FIG. 6

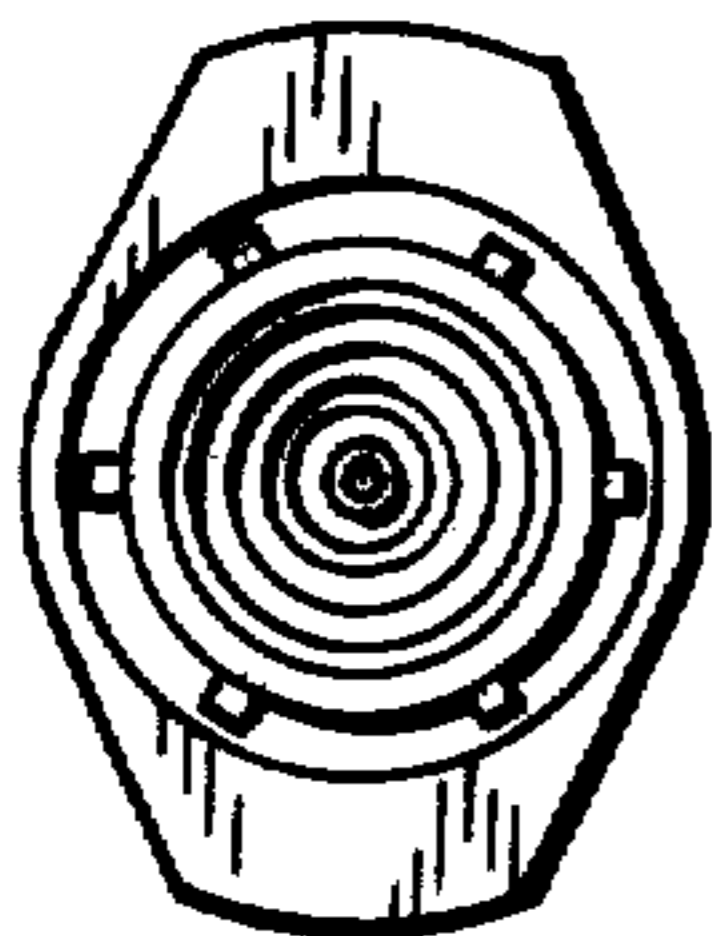


FIG. 7

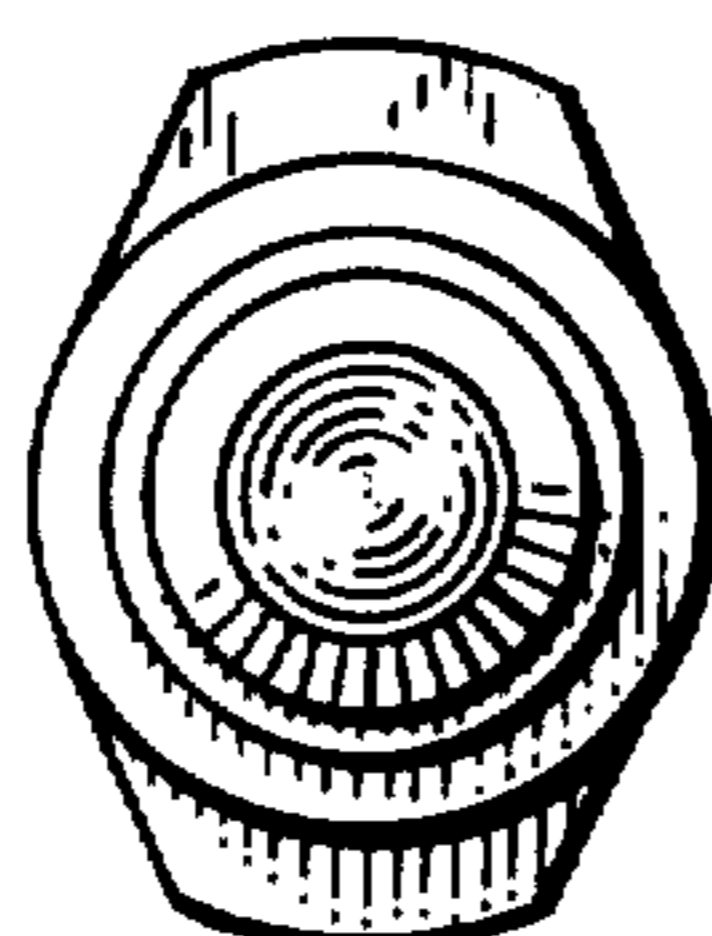


FIG. 8



FIG. 9

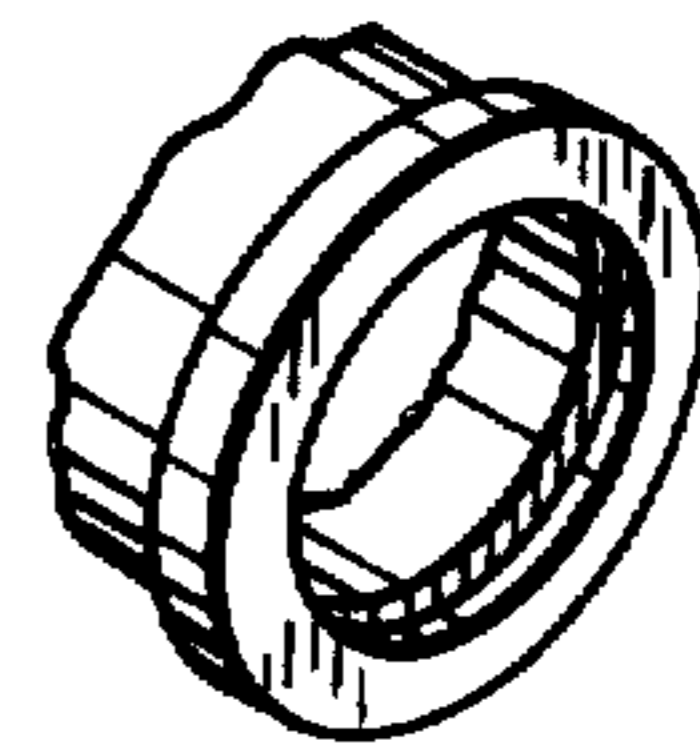


FIG. 10

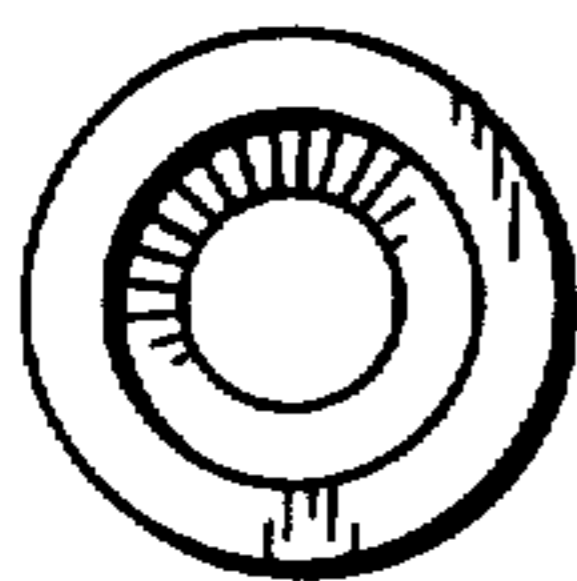


FIG. 11



FIG. 12

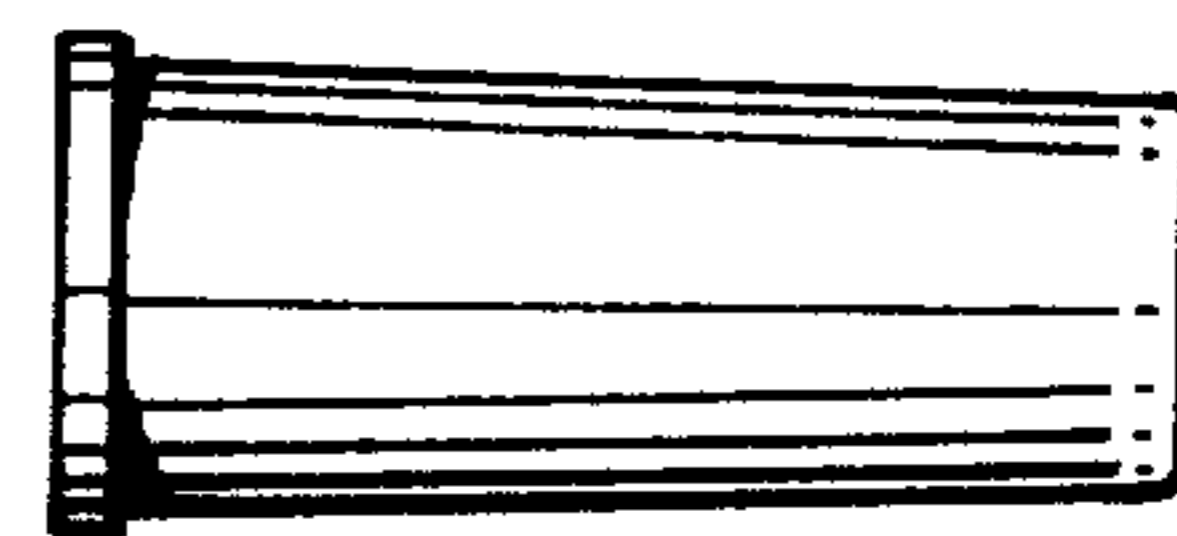


FIG. 13

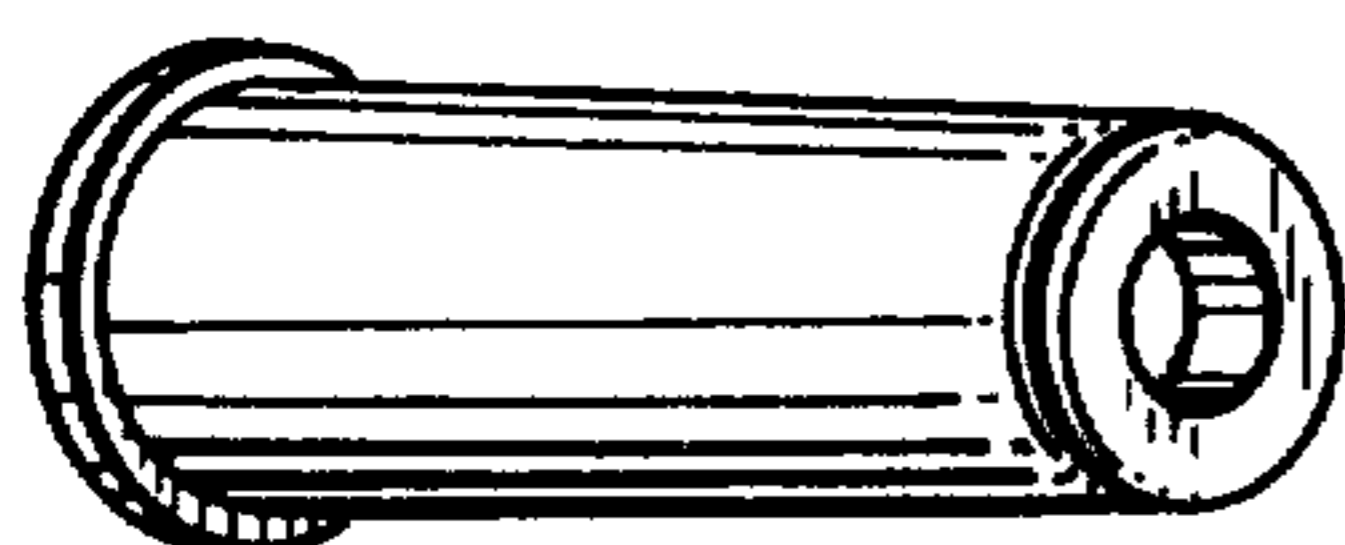


FIG. 14

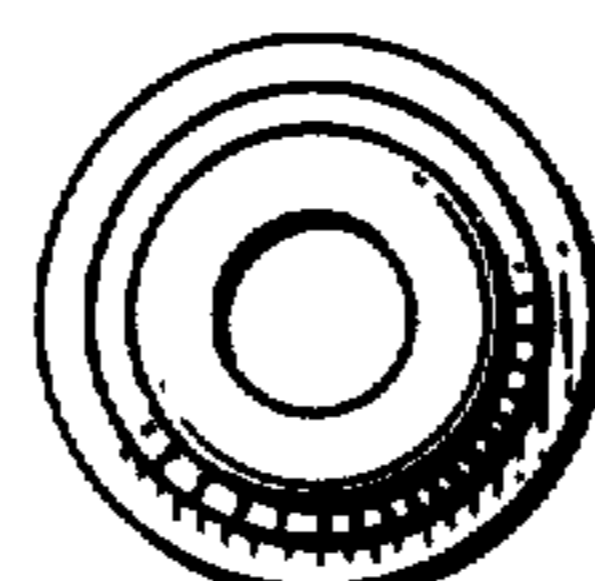


FIG. 15

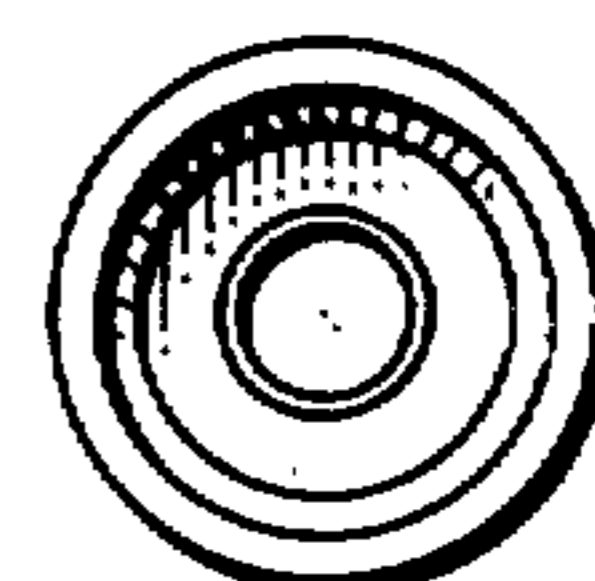


FIG. 16