

[54] **DENTAL AIR MOTOR**

[75] **Inventor: Moshe Meller, Nahariya, Israel**

[73] **Assignee: Adimec, Advanced Mechanical Ltd., Nahariya, Israel**

[**] **Term: 14 Years**

[21] **Appl. No.: 117,077**

[22] **Filed: Jan. 31, 1980**

[51] **Int. Cl. D24—02**

[52] **U.S. Cl. D24/12**

[58] **Field of Search D24/5, 4, 7, 12; 433/84, 103, 104, 114**

[56] **References Cited**

U.S. PATENT DOCUMENTS

D. 241,550	9/1976	Morin	D24/12
2,876,015	3/1959	Steuer et al.	433/114 X
3,842,504	10/1974	Ricks	433/84 X
4,007,529	2/1977	Fleer	433/84 X

Primary Examiner—A. Hugo Word
Attorney, Agent, or Firm—Schwartz, Jeffery, Schwaab, Mack, Blumenthal & Koch

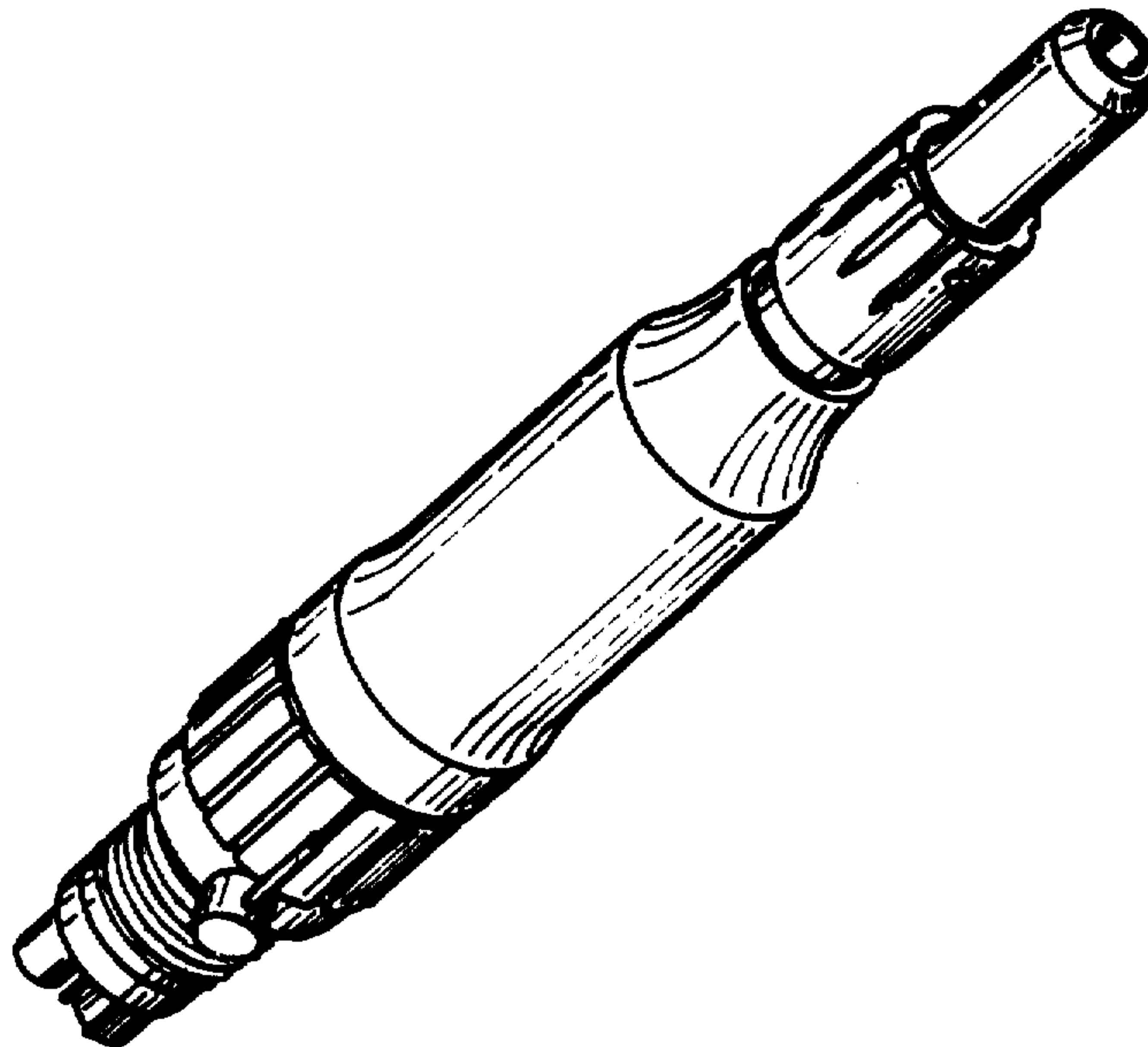
[57] **CLAIM**

The ornamental design for the dental air motor, shown and described.

DESCRIPTION

FIG. 1 is a top perspective view of the dental air motor, and

FIG. 2 is a bottom perspective view of the dental air motor



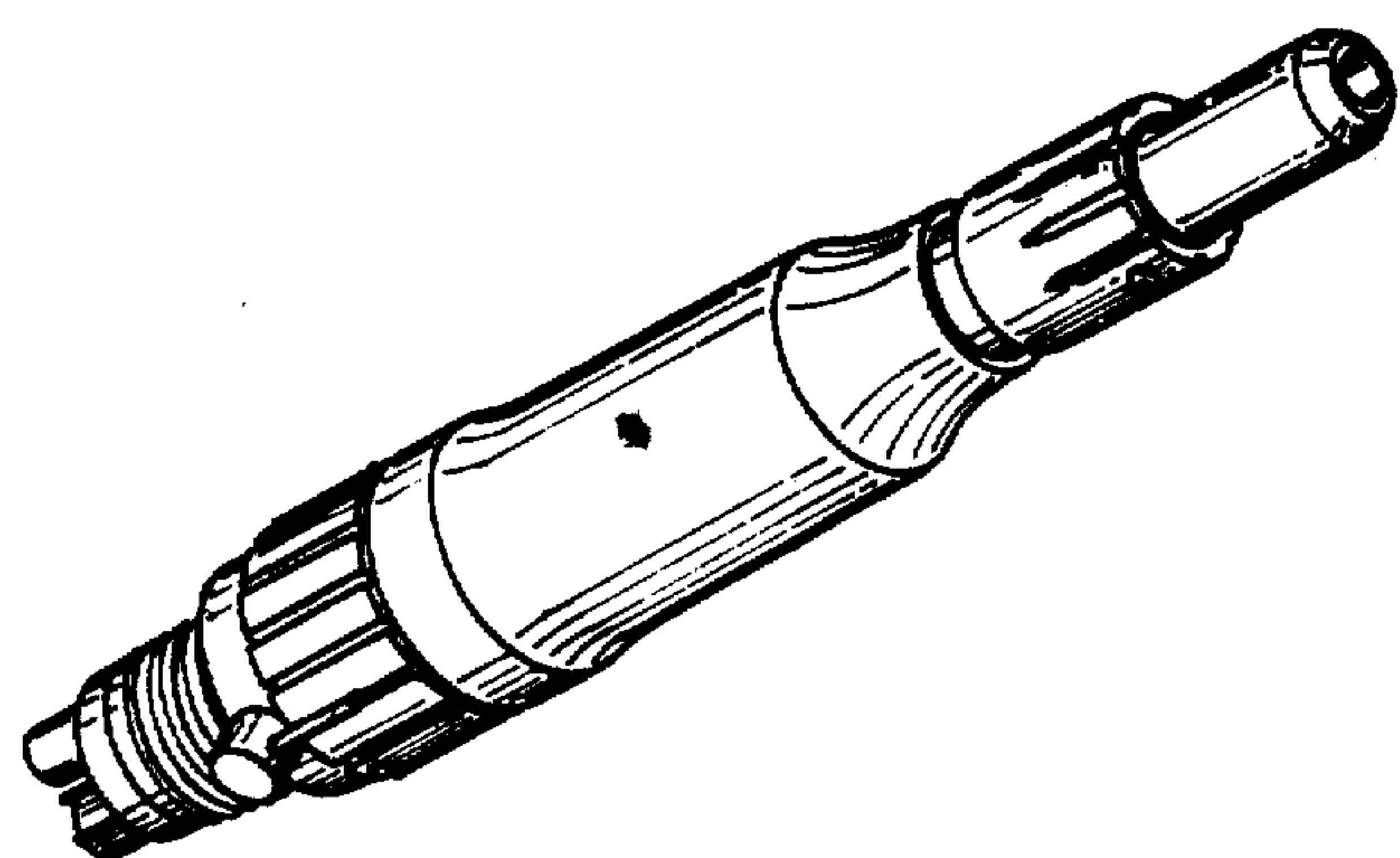


FIG. 1.

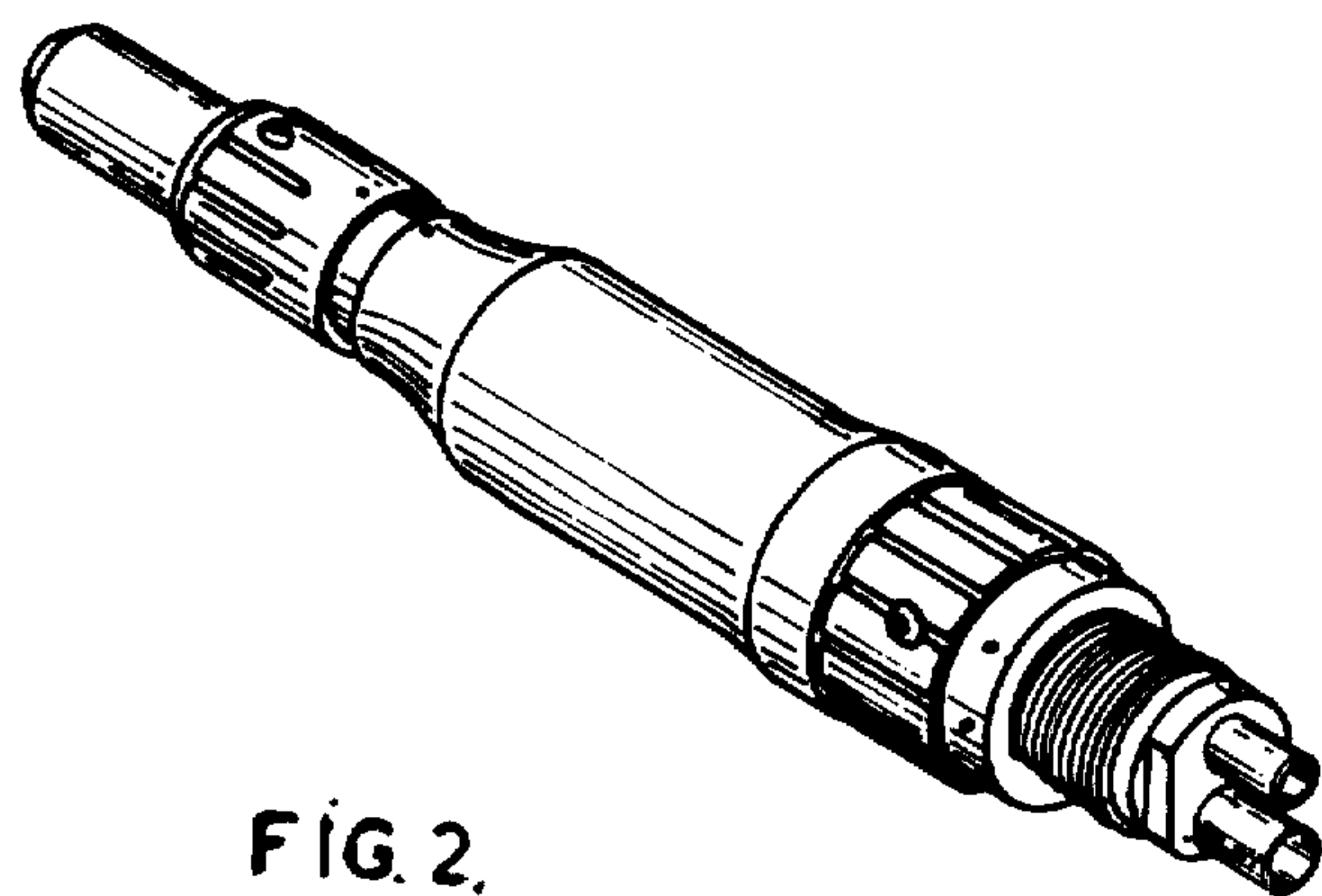


FIG. 2.