

[54] **EXERCISE BAR FOR PHYSICAL EXERCISER**

[76] **Inventors: Lloyd J. Lambert, Jr.; Lloyd J. Lambert, Sr., both of 1538 College Ave., South Houston, Tex. 77587**

[\*\*] **Term: 14 Years**

[21] **Appl. No.: 100,152**

[22] **Filed: Dec. 4, 1979**

[51] **Int. Cl. .... D21-02**

[52] **U.S. Cl. .... D21/198**

[58] **Field of Search ..... D21/191, 193, 194, 195, D21/196, 197, 198, 199; 272/122, 123, 124, 67, 132, 134, 135, 136, 141, 116, 118, 139; D12/178**

[56] **References Cited**

**U.S. PATENT DOCUMENTS**

2,782,033 2/1957 Ugartechea ..... 272/136  
3,640,525 2/1972 Proctor ..... 272/132

**OTHER PUBLICATIONS**

Marcy Catalog, p. 48, Pull Bar.

*Primary Examiner*—Charles A. Rademaker  
*Attorney, Agent, or Firm*—Victor J. Evans & Co.

[57] **CLAIM**

The ornamental design for an exercise bar for physical exerciser, as shown and described.

**DESCRIPTION**

FIG. 1 is a front elevational view of an exercise bar for physical exerciser showing my new design, the side opposite being substantially a mirror image; FIG. 2 is a bottom plan view thereof; FIG. 3 is a top plan view thereof; and, FIG. 4 is a side elevational view thereof.

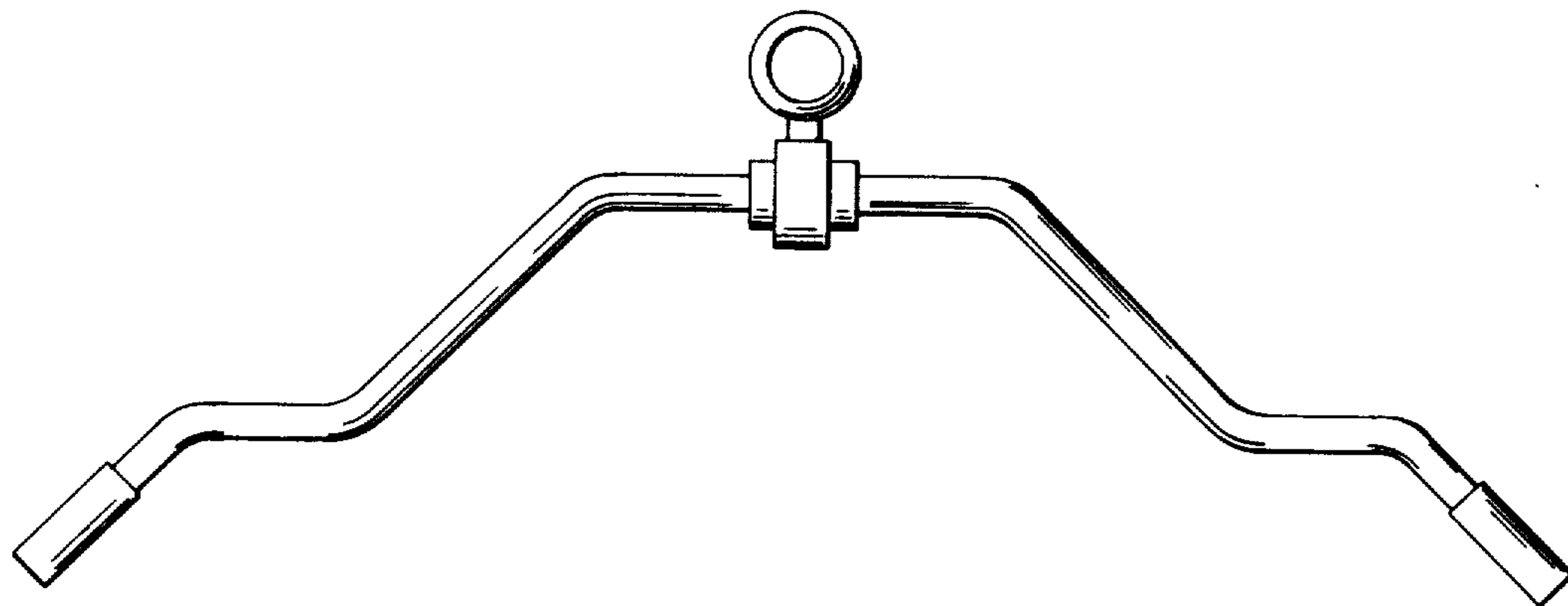


FIG. 1

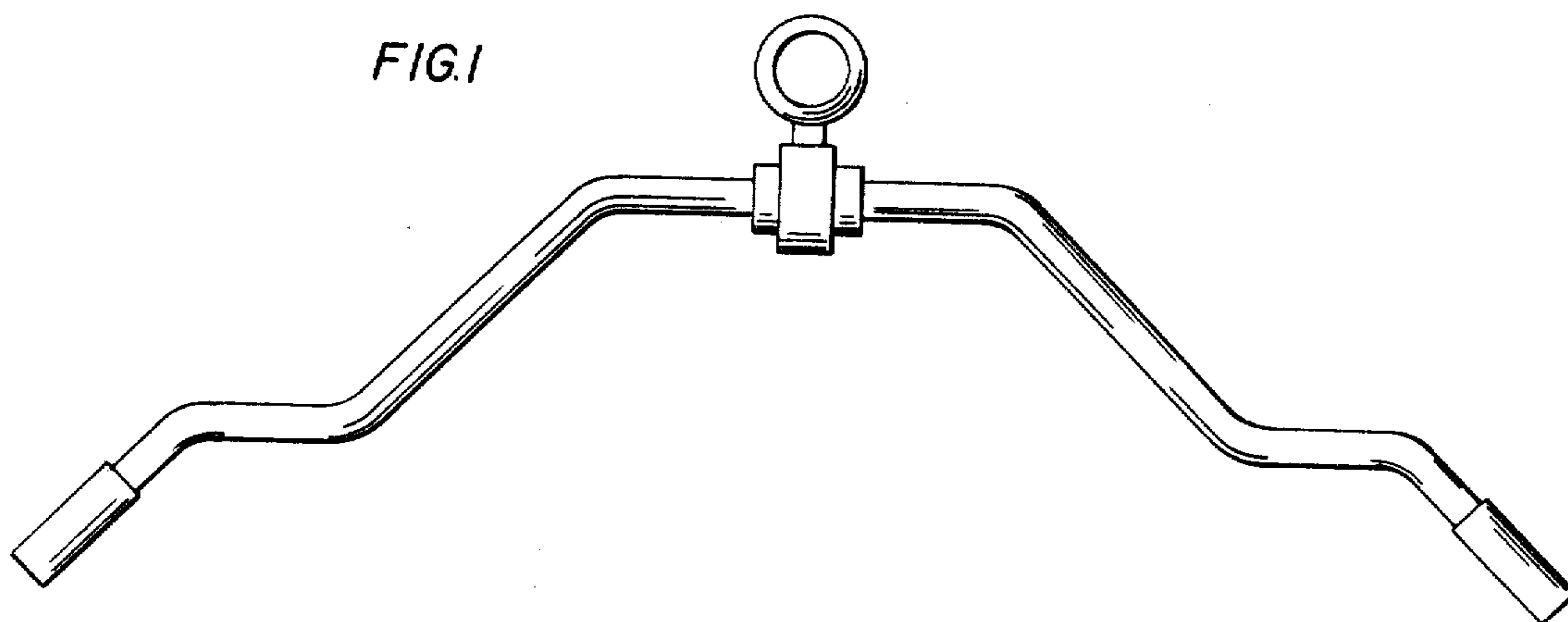


FIG. 2



FIG. 3



FIG. 4

