

[54] **HOLDER TRAY FOR GAME PIECES OR THE LIKE**

[76] Inventor: **William J. Snyder**, 7249 Adobe Casa Ct., Citrus Heights, Calif. 95610

[\*\*] Term: **14 Years**

[21] Appl. No.: **122,711**

[22] Filed: **Feb. 19, 1980**

[51] Int. Cl. .... **D21-01**

[52] U.S. Cl. .... **D21/54; D6/140; D19/90**

[58] **Field of Search** ..... **D21/54, 55; D20/15, D20/40, 43; 273/148 A; D19/75, 90, 86; D6/140**

[56] **References Cited**

**U.S. PATENT DOCUMENTS**

D. 188,859 9/1960 Clement ..... D6/140

D. 241,152 8/1976 Taylor ..... D21/54  
D. 253,119 10/1979 Lamont ..... D19/75  
3,913,923 10/1975 Wapner ..... 273/148 A

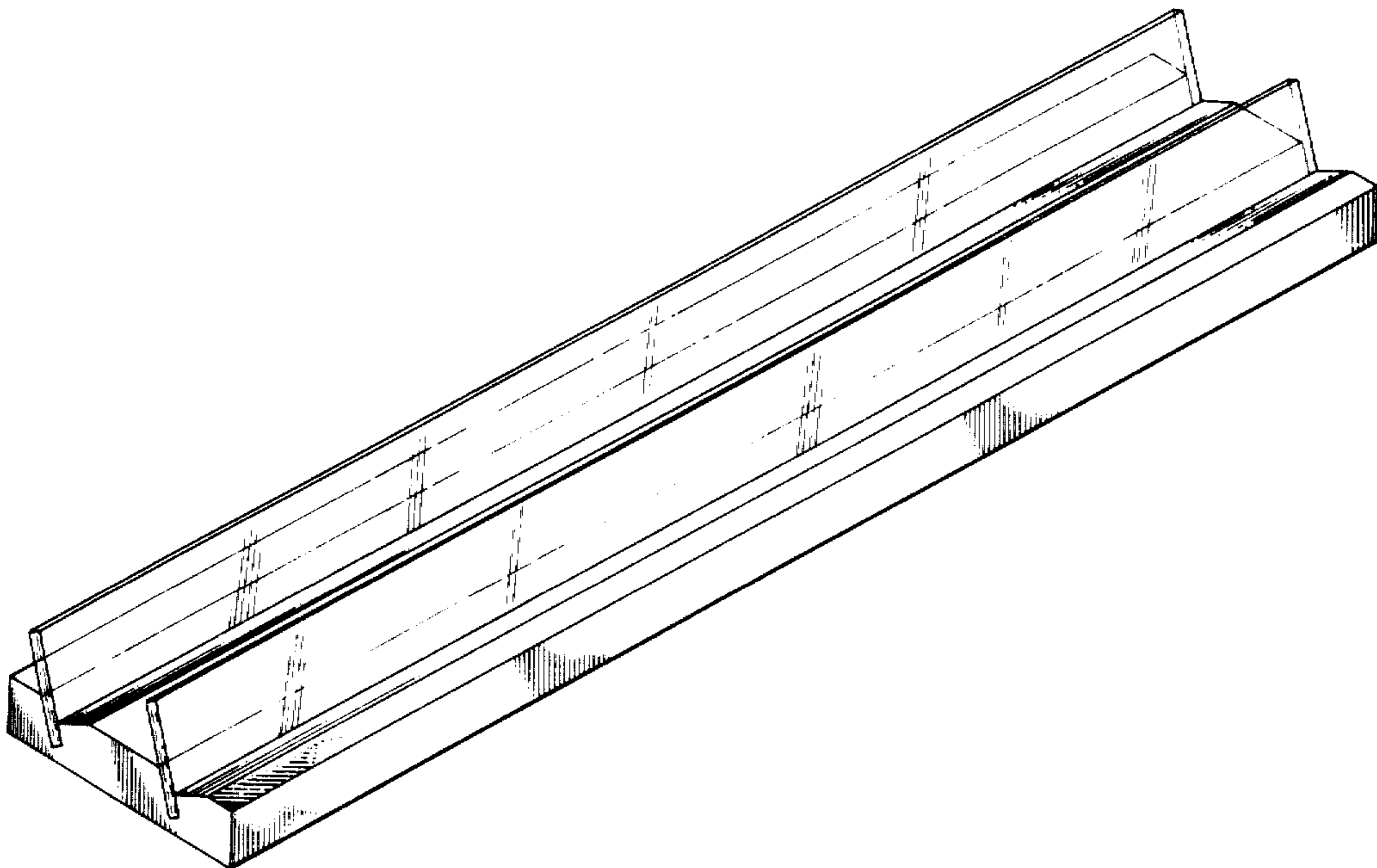
*Primary Examiner*—George P. Word  
*Attorney, Agent, or Firm*—Lothrop & West

[57] **CLAIM**

The ornamental design for a holder tray for game pieces or the like, as shown and described.

**DESCRIPTION**

FIG. 1 is a perspective view of a holder tray for game pieces showing my new design; FIG. 2 is a top plan view thereof; FIG. 3 is a front elevational view, the rear elevational view being substantially a mirror image thereof; FIG. 4 is a bottom plan view thereof; and FIG. 5 is a left side elevational view, the opposite side elevational view being substantially a mirror image thereof.



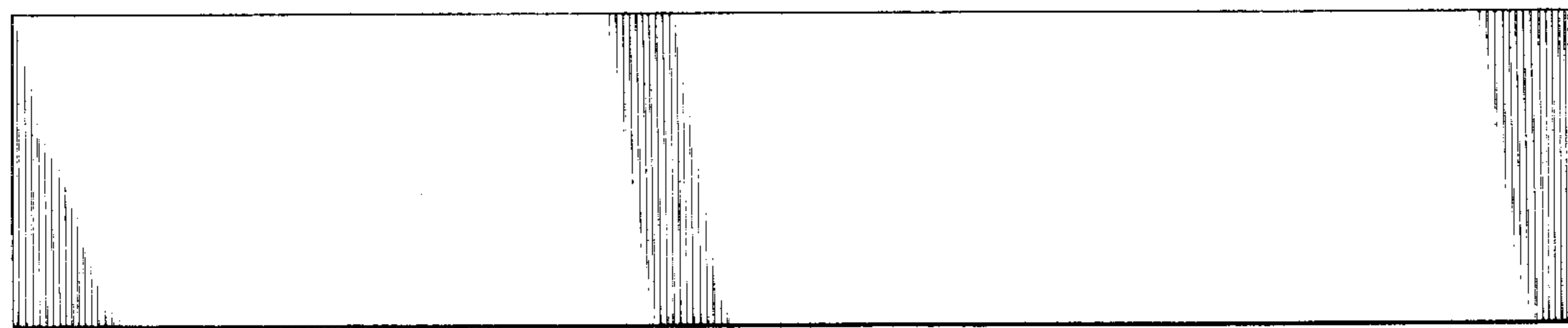
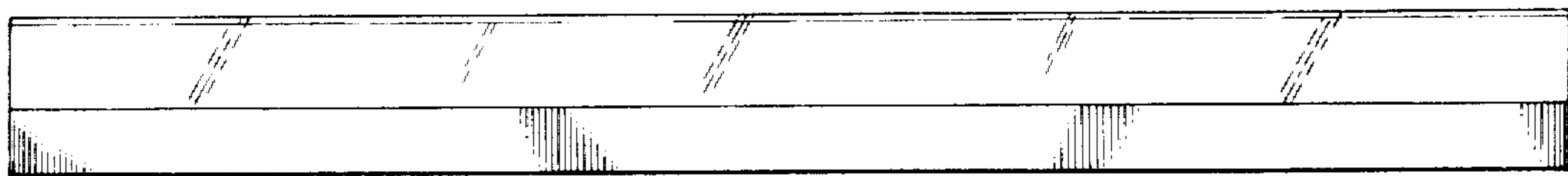
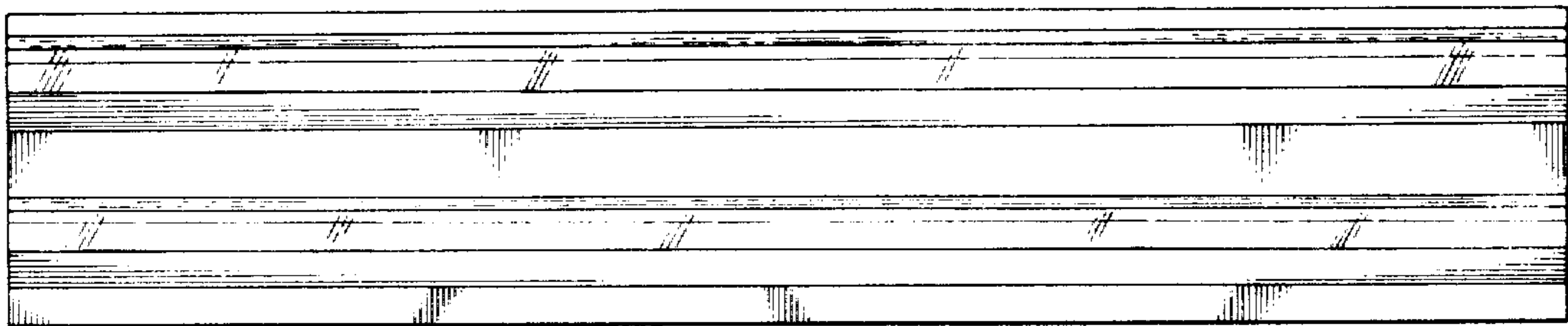
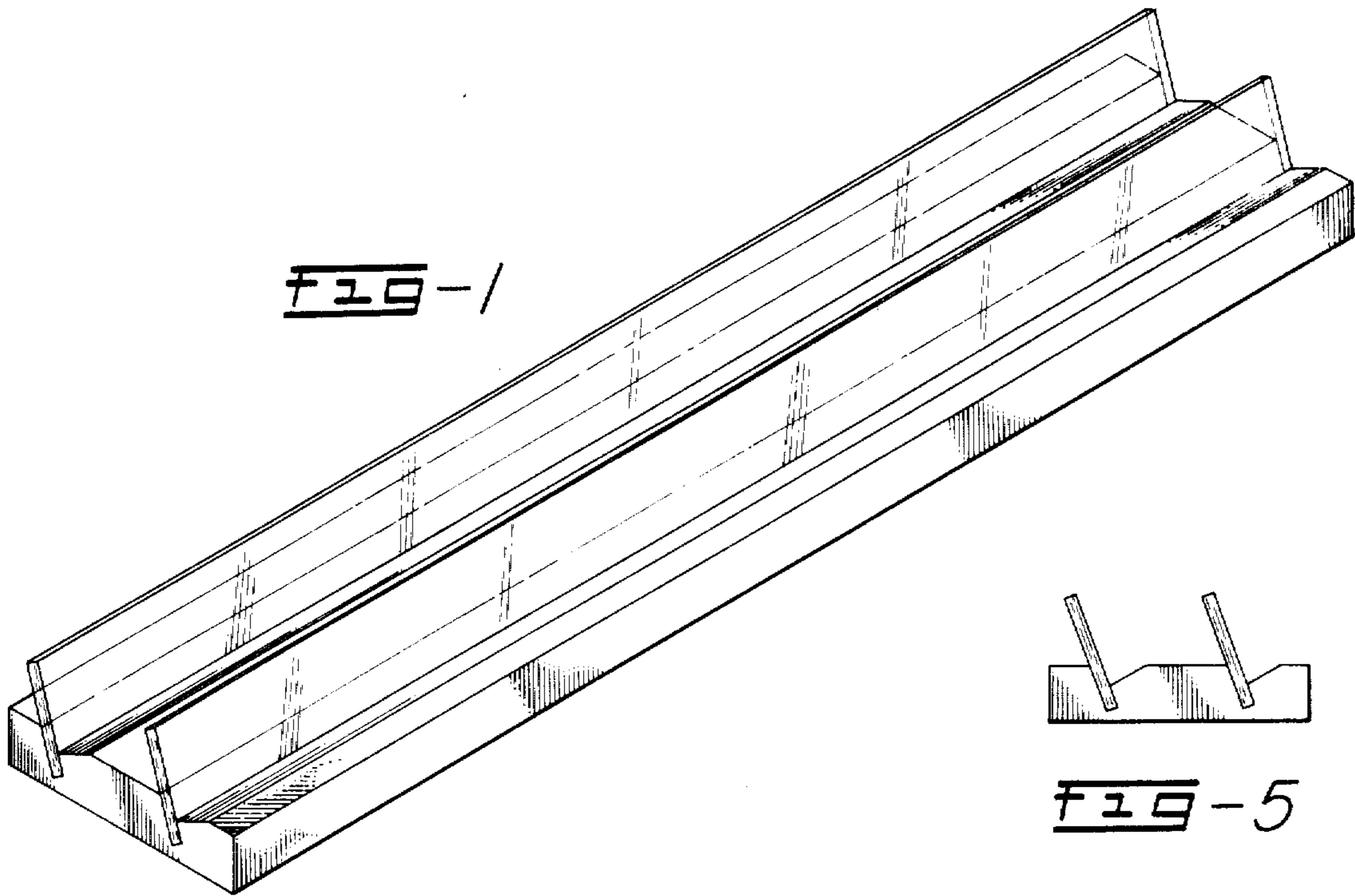


FIG-4