

- [54] ELECTRONIC BASKETBALL GAME HOUSING
- [75] Inventor: Akio Tsuyuki, Tokyo, Japan
- [73] Assignee: Tomy Kogyo Co., Inc., Tokyo, Japan
- [\*\*] Term: 14 Years
- [21] Appl. No.: 138,718
- [22] Filed: Apr. 9, 1980
- [51] Int. Cl. .... D21-01
- [52] U.S. Cl. .... D21/13; D21/27
- [58] Field of Search ..... D21/13, 27; 273/85 G, 273/1 E, 85 R

Tomy Cat., p. 23, Blip.  
Comspec, Inc., Flyer, "Pro-Pellet".

Primary Examiner—Melvin B. Feifer  
Attorney, Agent, or Firm—Staas and Halsey

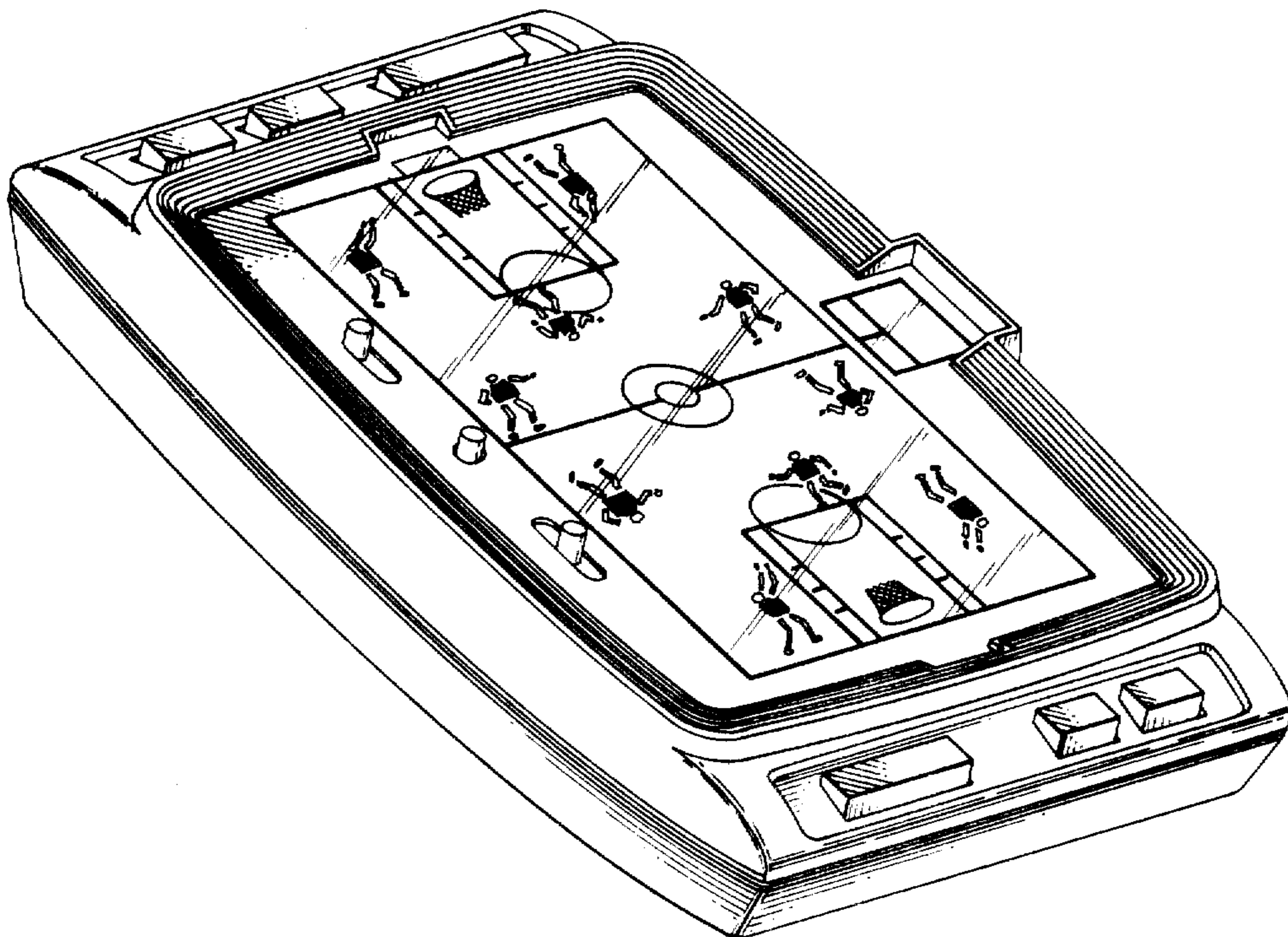
[57] CLAIM

The ornamental design for an electronic basketball game housing, as shown.

DESCRIPTION

FIG. 1 is a perspective view of an electronic basketball game housing showing my new design;  
FIG. 2 is a left side elevational view thereof;  
FIG. 3 is a rear elevational view;  
FIG. 4 is a bottom plan view;  
FIG. 5 is a right side elevational view thereof;  
FIG. 6 is a front elevational view thereof;  
FIG. 7 is a top plan view thereof.

- [56] **References Cited**  
**PUBLICATIONS**  
Playthings, Apr. 1979, p. 28, top, Electronic Sea Battle.



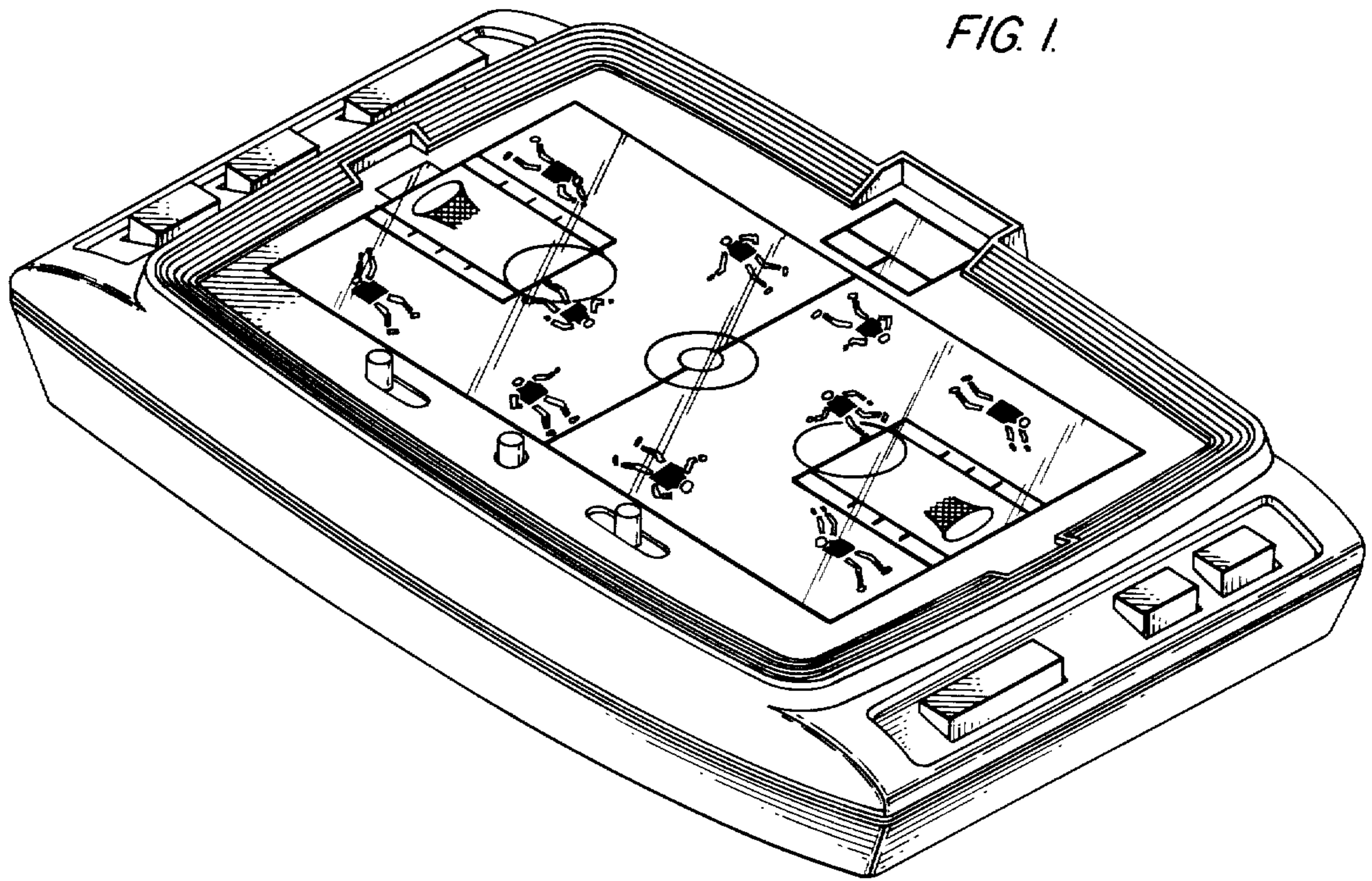


FIG. 1.

FIG. 2.

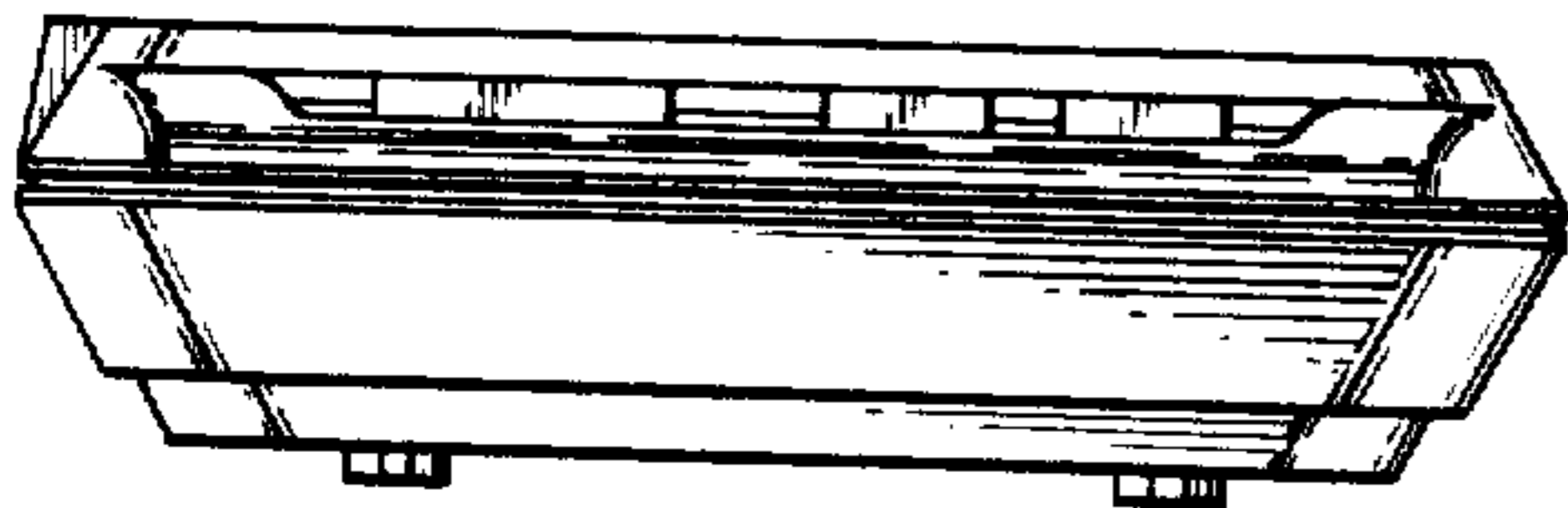


FIG. 4.

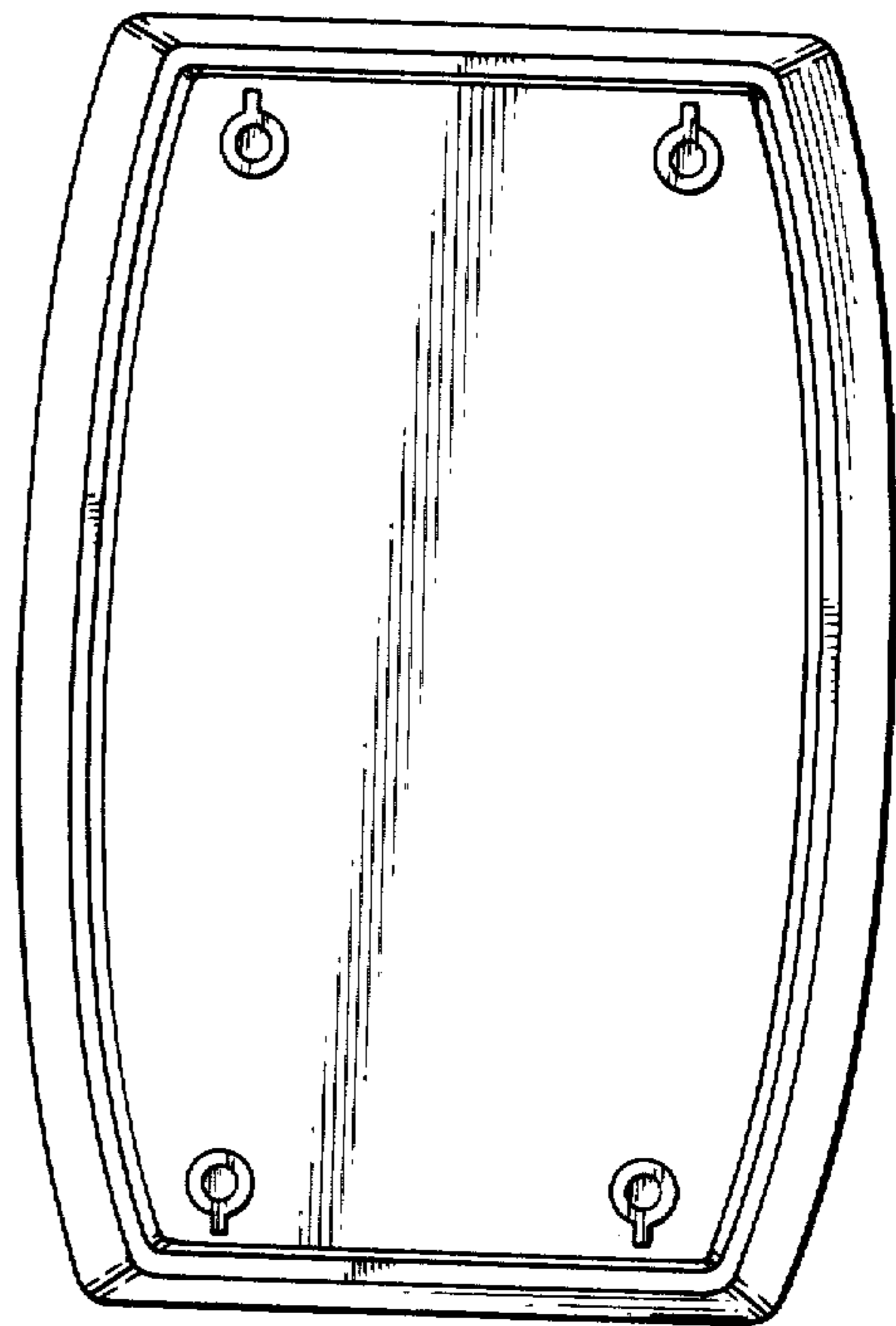


FIG. 3.

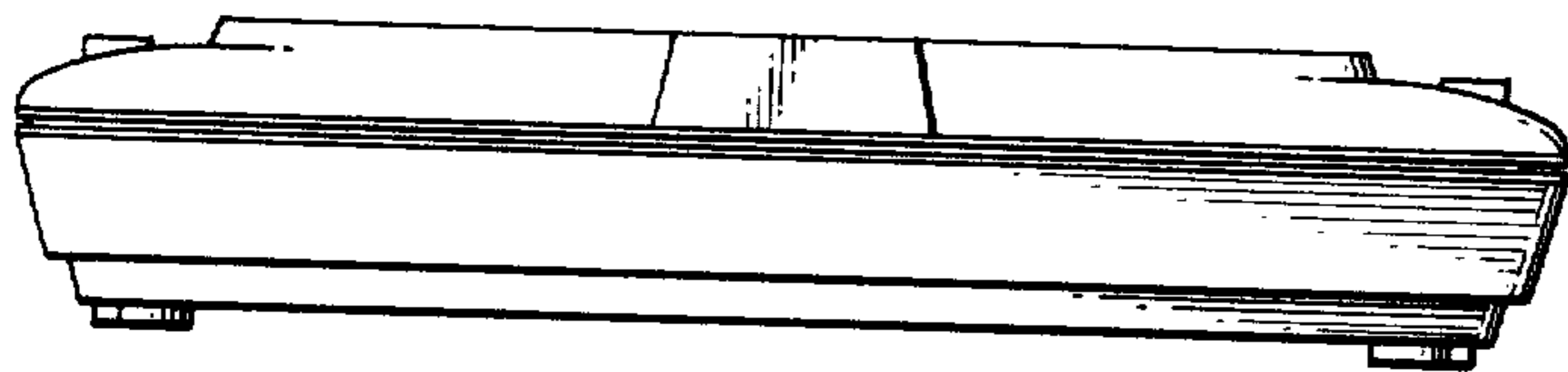


FIG. 5.

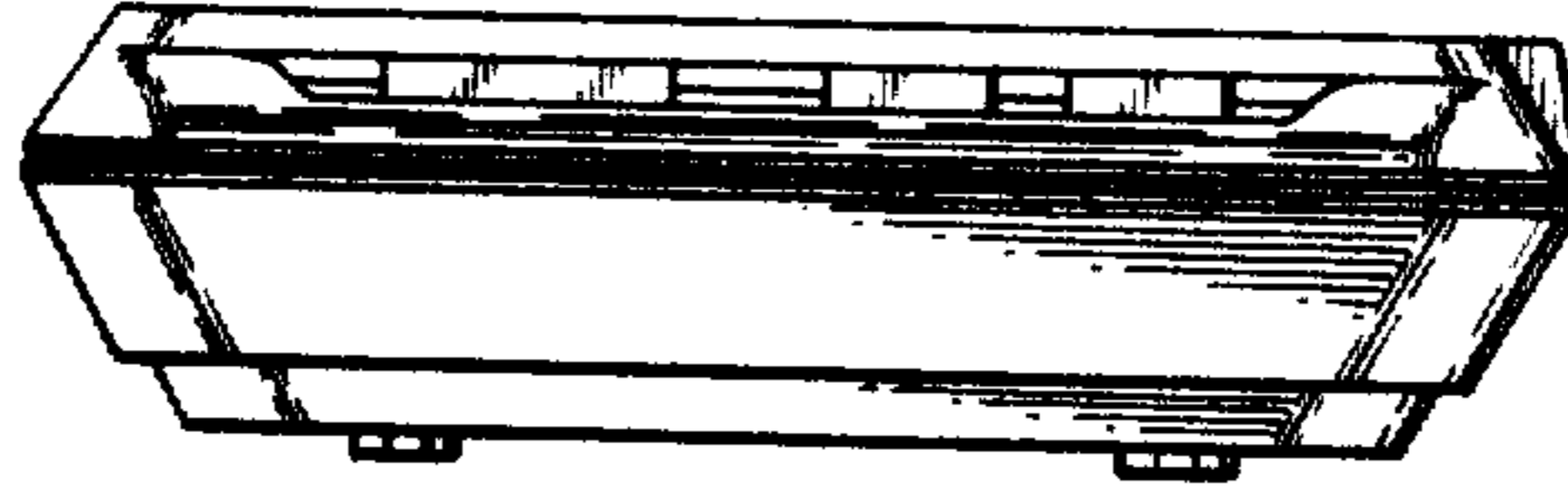


FIG. 6.

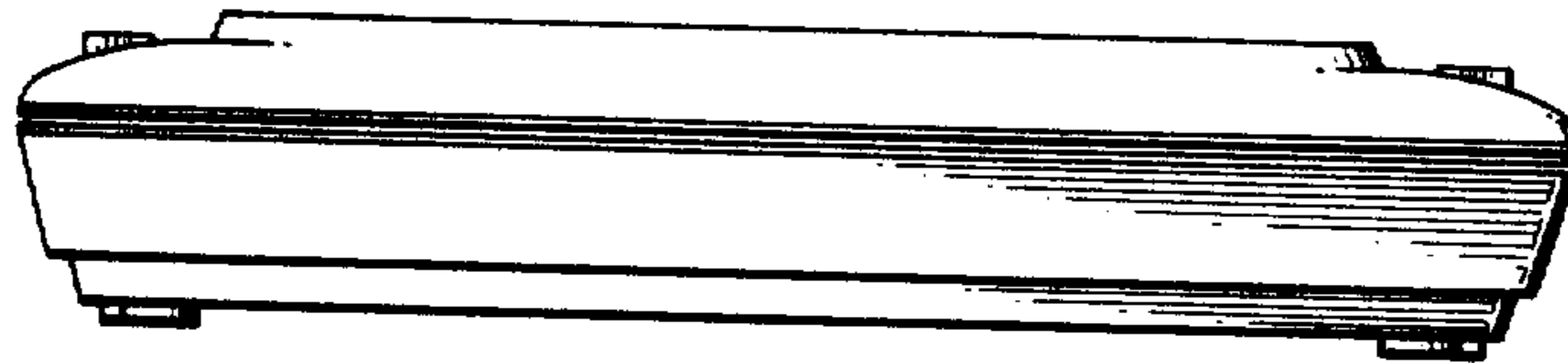


FIG. 7.

