

[54] AUTOMATIC PAPER FEEDER OR SIMILAR ARTICLE

[75] Inventors: Wayne C. Cathey, Bedford; Barry C. Kockler, Lewisville; Albert R. Clark, Dallas, all of Tex.

[73] Assignee: Xerox Corporation, Stamford, Conn.

[**] Term: 14 Years

[21] Appl. No.: 43,181

[22] Filed: May 29, 1979

[51] Int. Cl. D16-03

[52] U.S. Cl. D16/30

[58] Field of Search D16/30-32; D15/127; D18/34, 99; D19/92, 99; 271/35

[56] References Cited

U.S. PATENT DOCUMENTS

D. 205,558 8/1966 Grimm D16/31

D. 214,959 8/1969 Anderson et al. D16/30
D. 221,108 7/1961 Case D18/34
D. 228,957 10/1973 Ishii D16/30
3,239,213 3/1966 Griswold 271/35

OTHER PUBLICATIONS

BDT-Model ASF150 1-1978.

ATI-Insert-A-Matic p. 78.

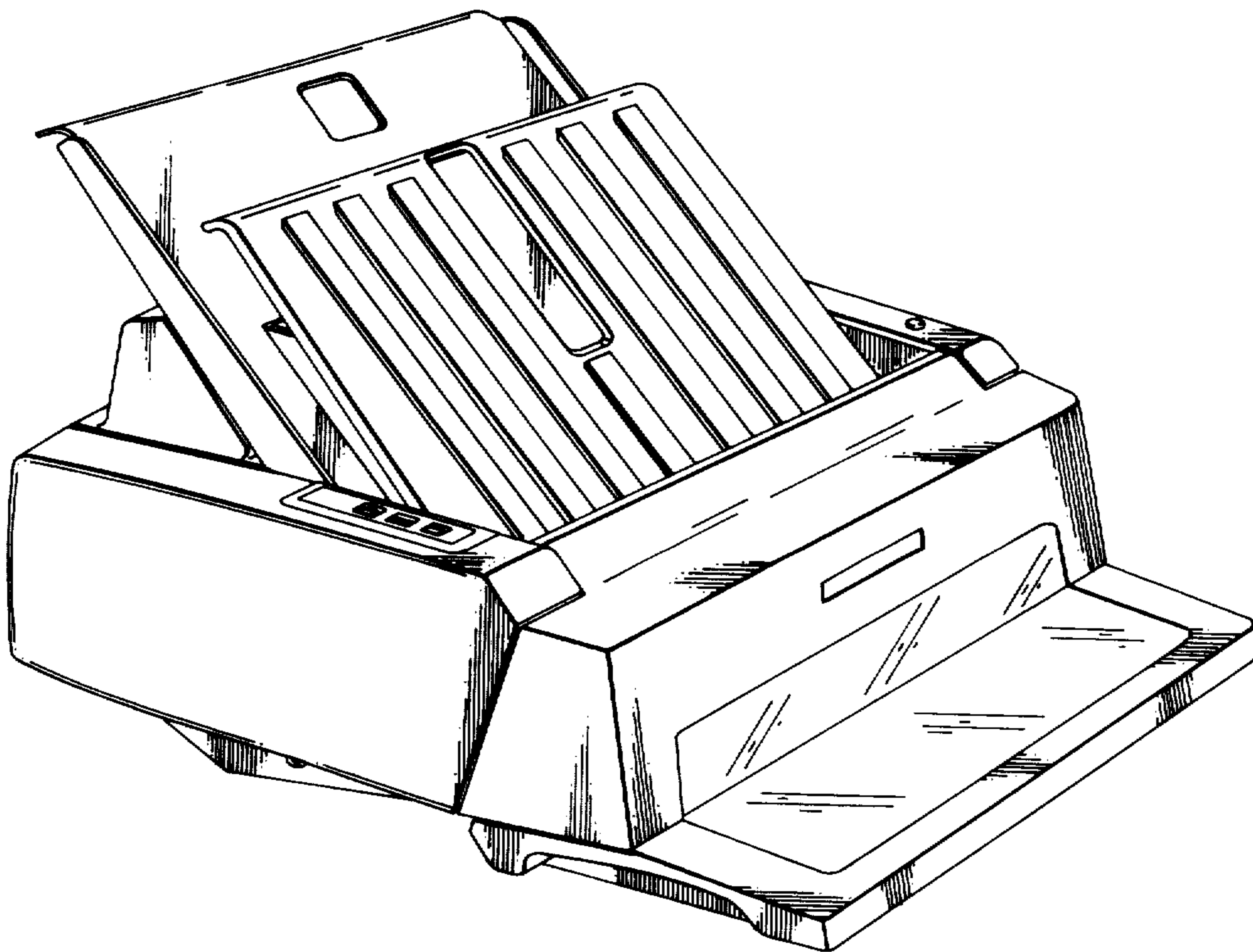
Primary Examiner—Peter M. Caun

[57] CLAIM

The ornamental design for an automatic paper feeder, or similar article substantially as shown.

DESCRIPTION

FIG. 1 is a front perspective view of an automatic paper feeder or similar article showing our new design; FIG. 2 is a front elevational view thereof; FIG. 3 is a left side elevational view thereof; FIG. 4 is a right side elevational view thereof; FIG. 5 is a rear elevational view thereof; and FIG. 6 is a top view thereof.



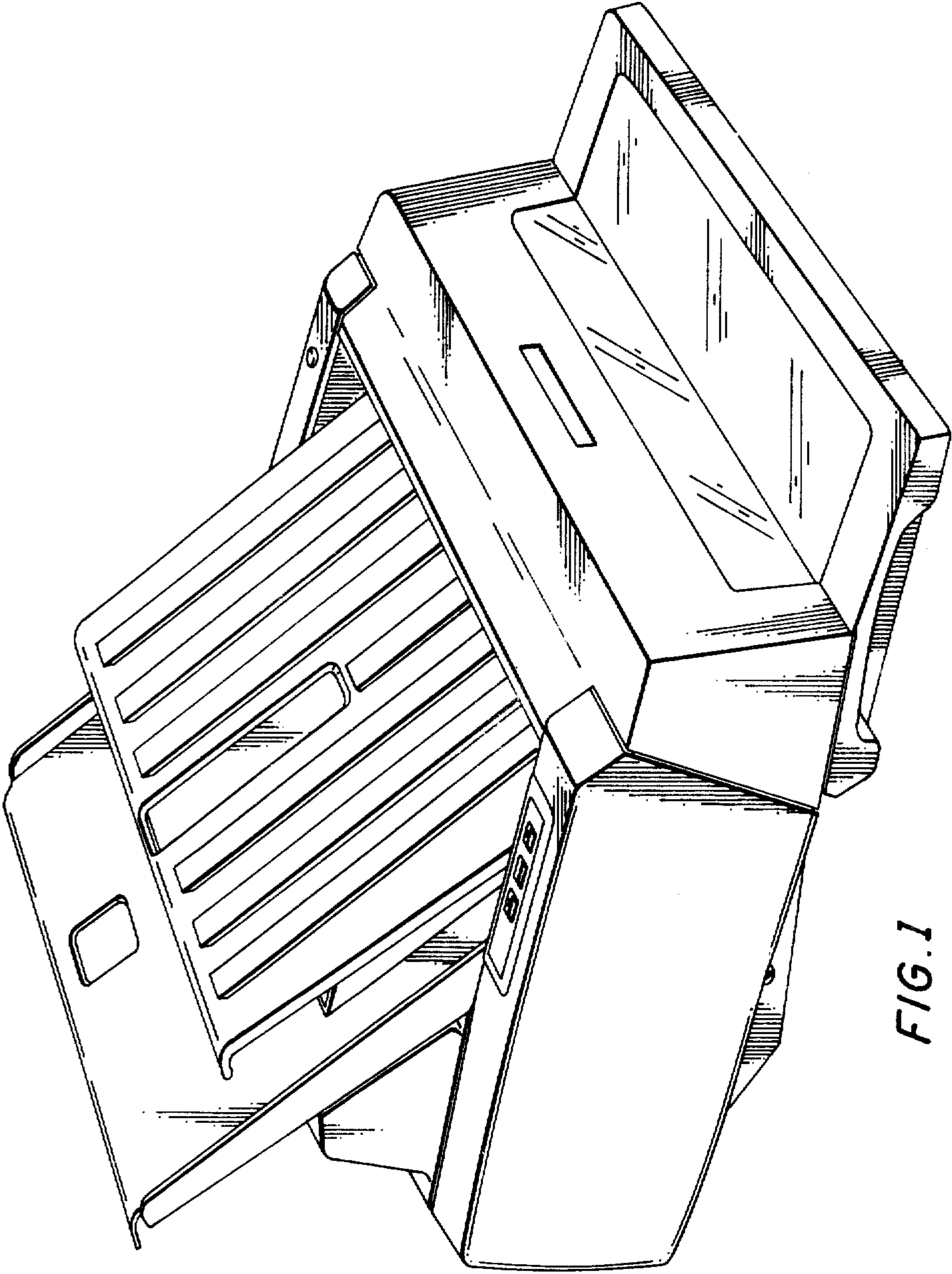


FIG. 1

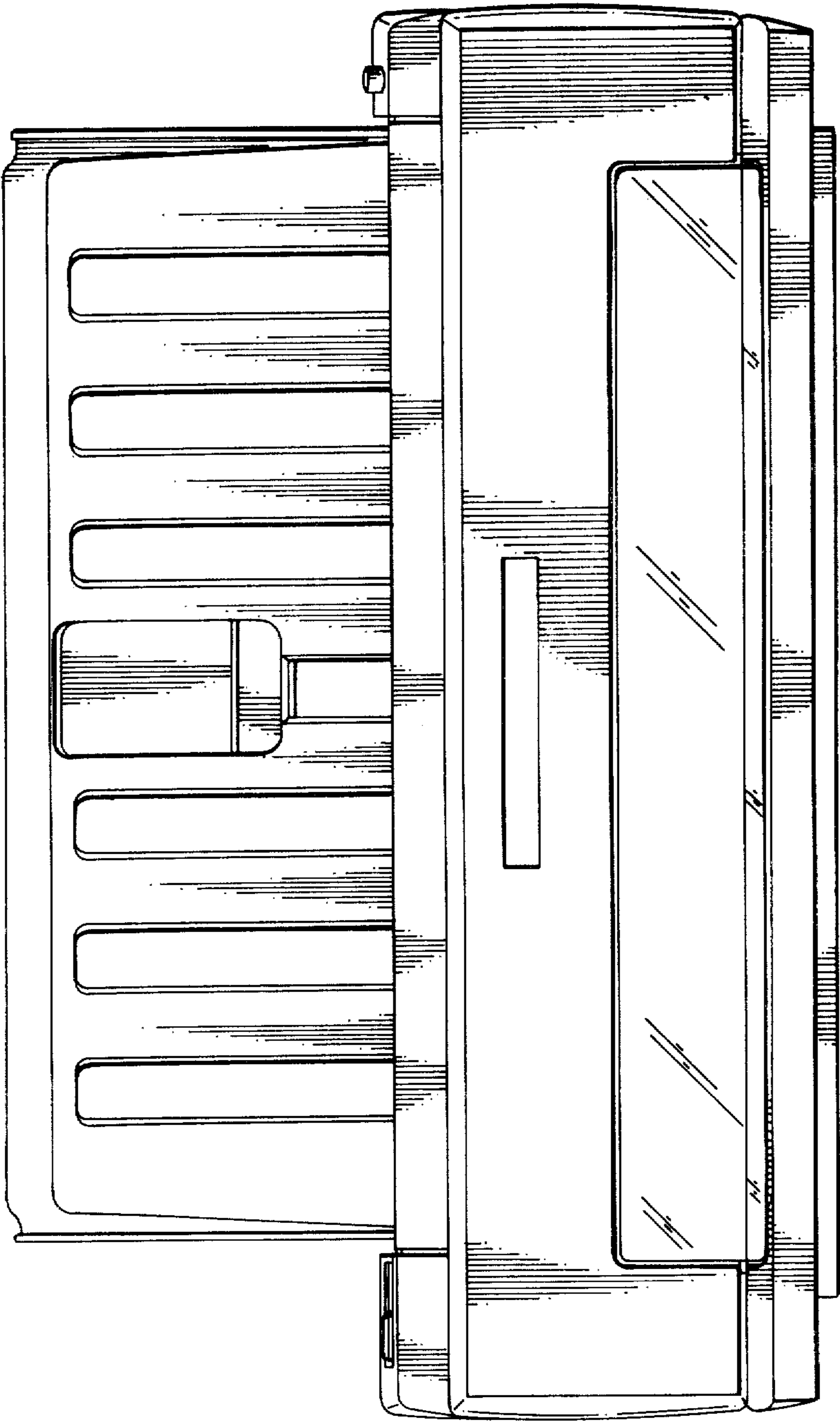


FIG. 2

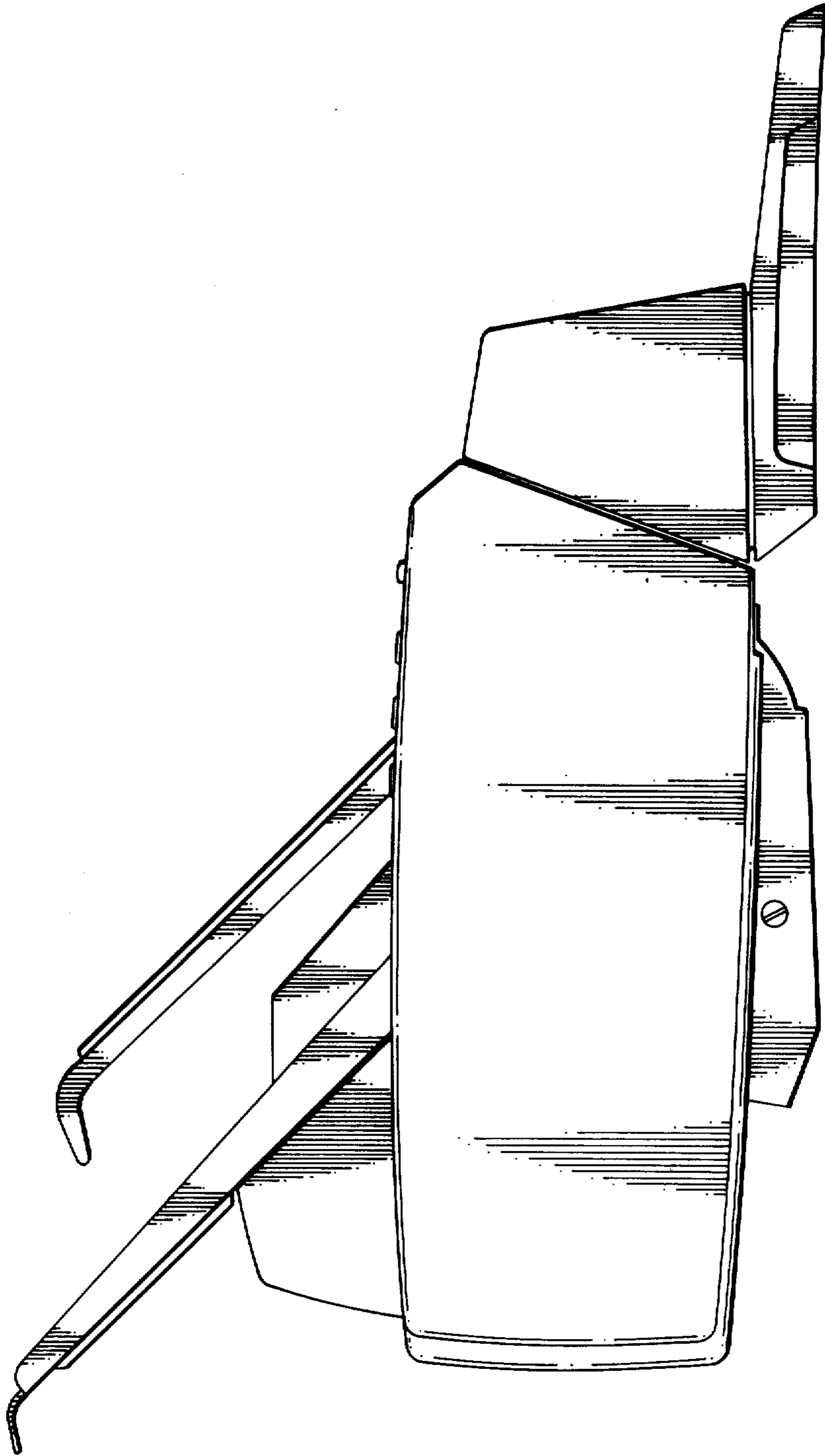


FIG. 3

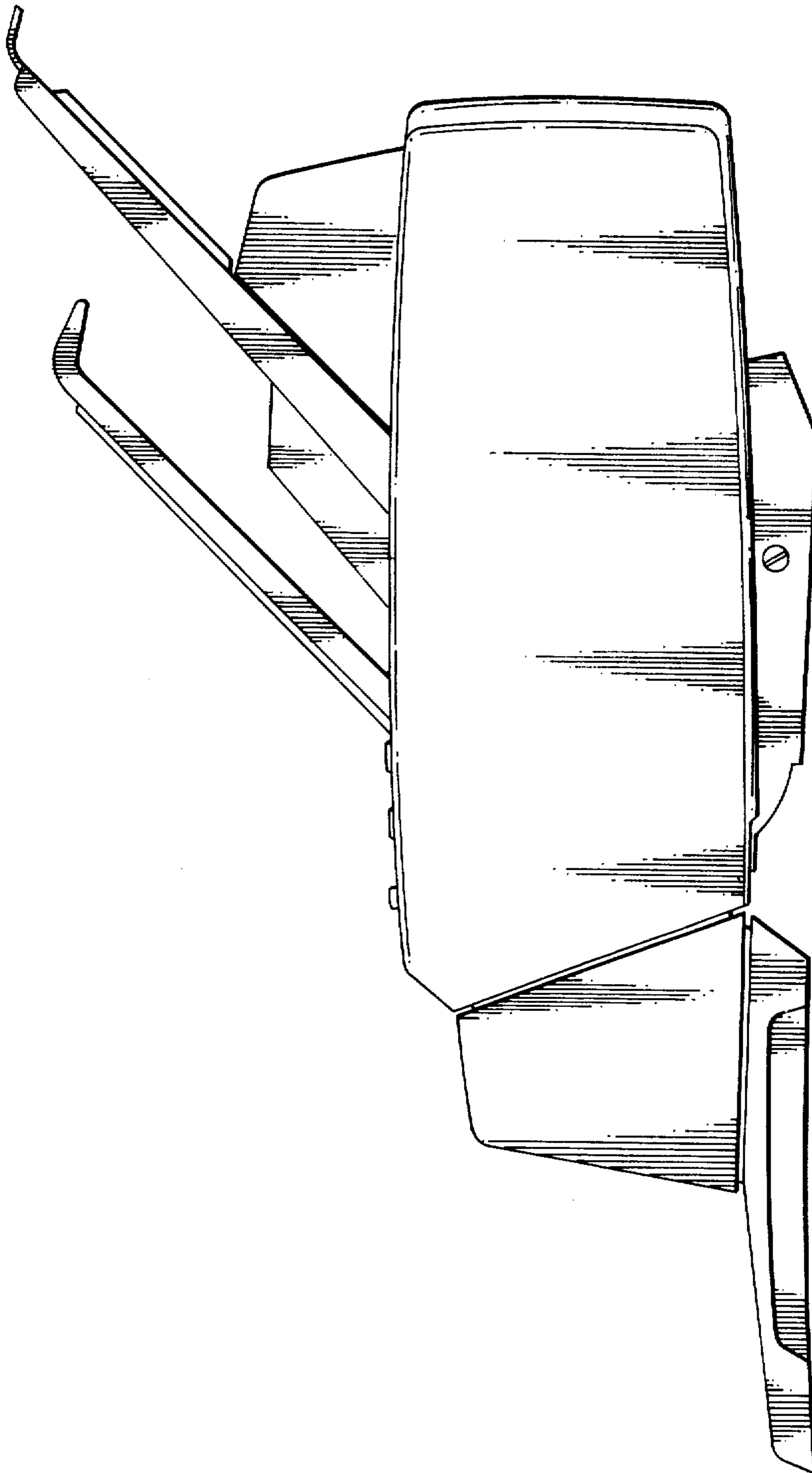


FIG. 4

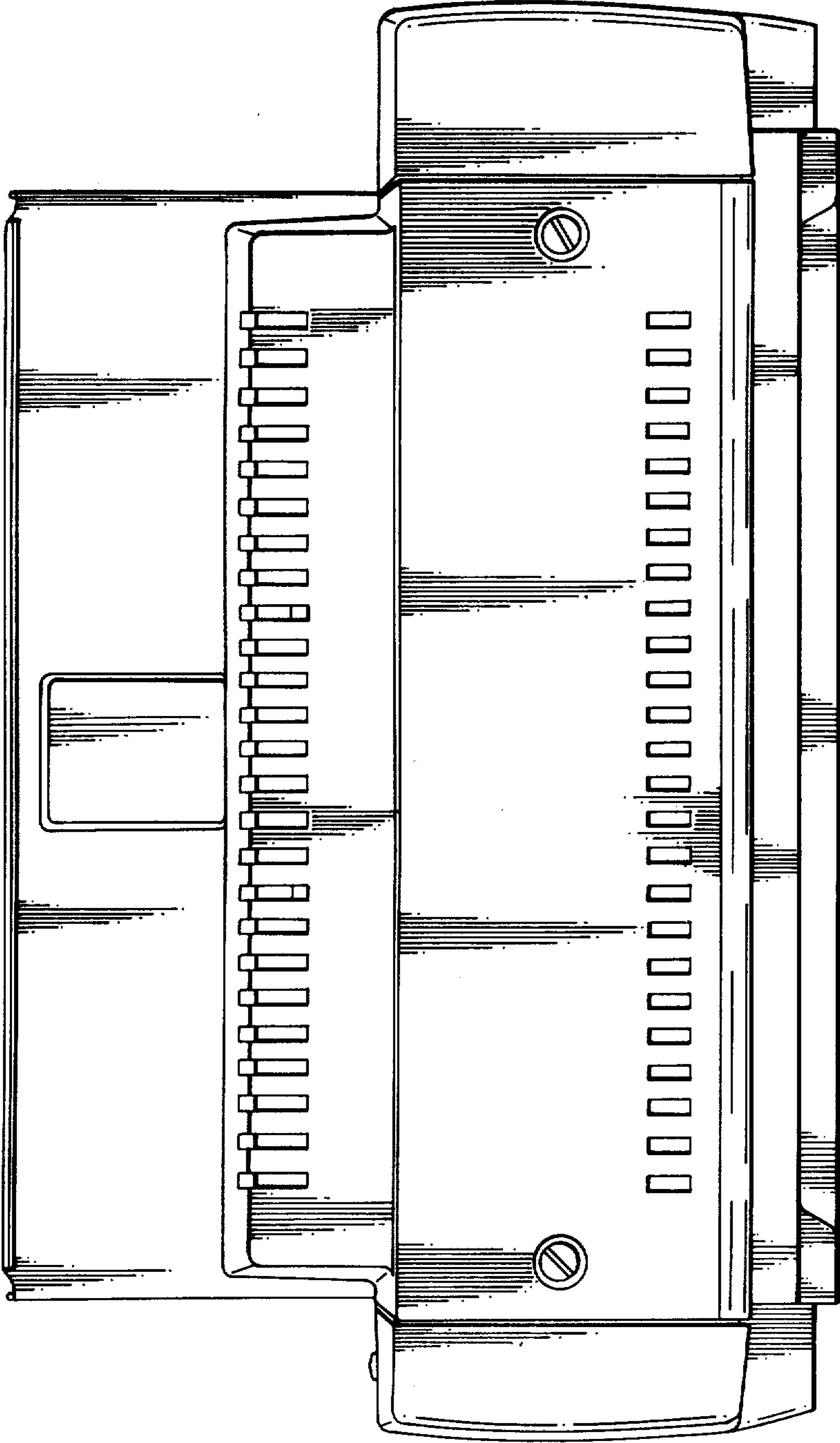


FIG. 5

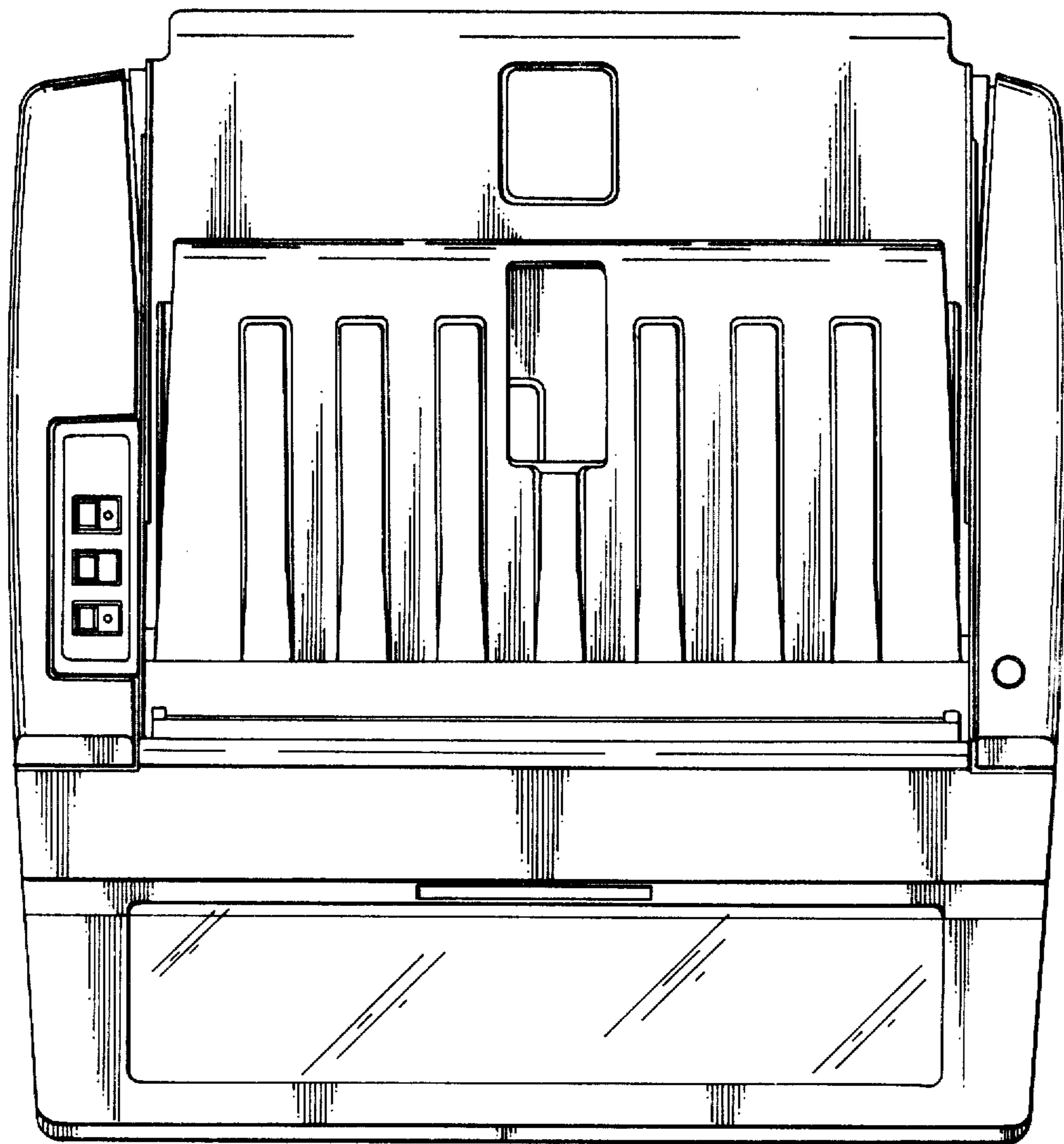


FIG. 6