

[54] **BASE AND COVER FOR A VERTICAL ROTISSERIE**

[75] Inventors: **Robert A. Williams; Marshall B. Johnson; Robert S. Myerly**, all of Chillicothe, Ohio

[73] Assignee: **Wear-Ever Aluminum, Inc.**, Chillicothe, Ohio

[\*\*] Term: **14 Years**

[21] Appl. No.: **131,484**

[22] Filed: **Mar. 18, 1980**

[51] Int. Cl. .... **D15-08**

[52] U.S. Cl. .... **D15/106**

[58] Field of Search ..... **D7/107, 110; D15/106; 99/419, 421, 448**

[56] **References Cited**

**U.S. PATENT DOCUMENTS**

D. 252,090 6/1979 Julkenbeck ..... D15/106

*Primary Examiner*—Catherine E. Kemper  
*Attorney, Agent, or Firm*—Wood, Herron & Evans

[57] **CLAIM**

The ornamental design for a base and cover for a vertical rotisserie, as shown and described.

**DESCRIPTION**

FIG. 1 is a perspective view of a base and cover for a vertical rotisserie showing our new design.

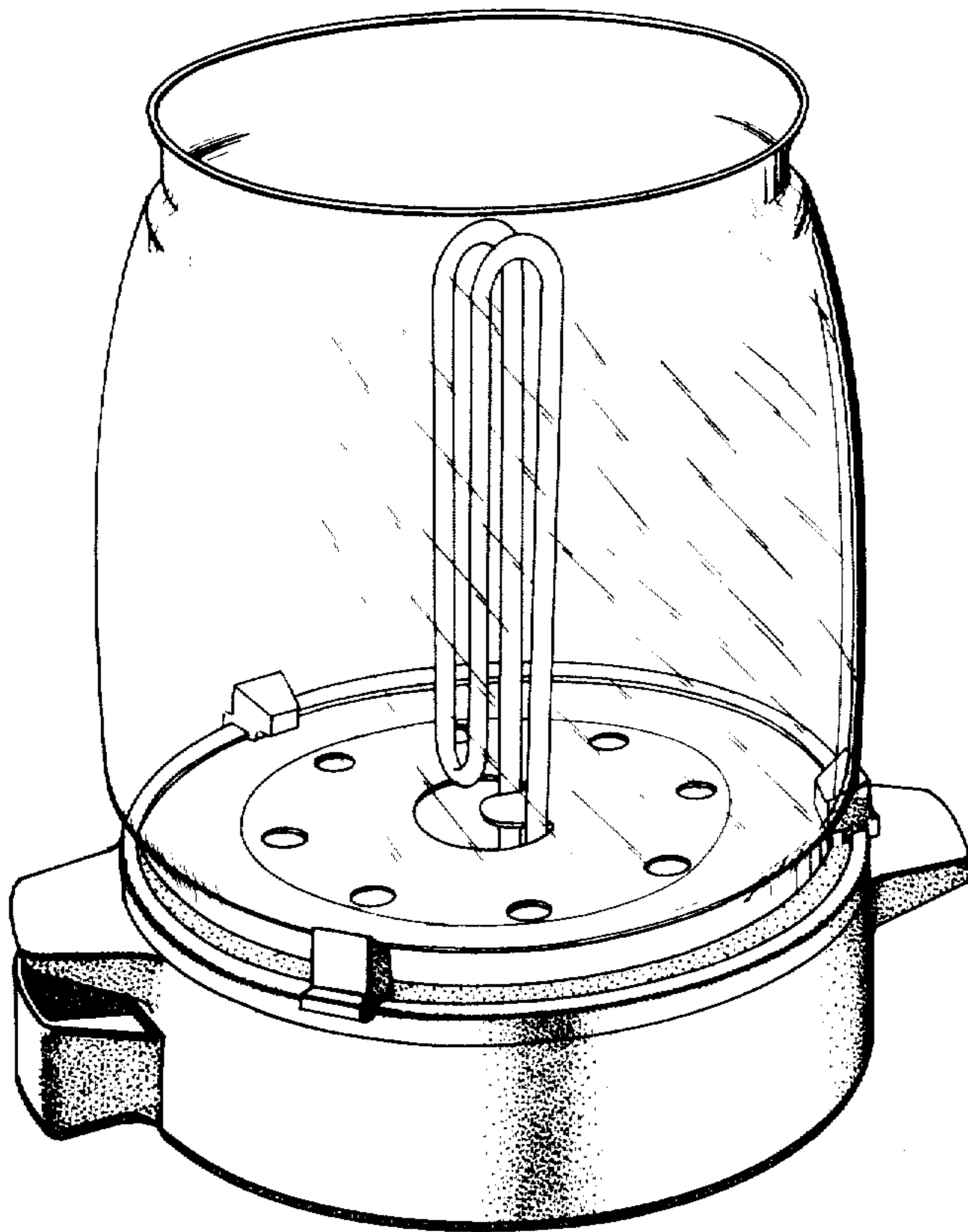
FIG. 2 is a front elevational view thereof, the rear being a mirror image.

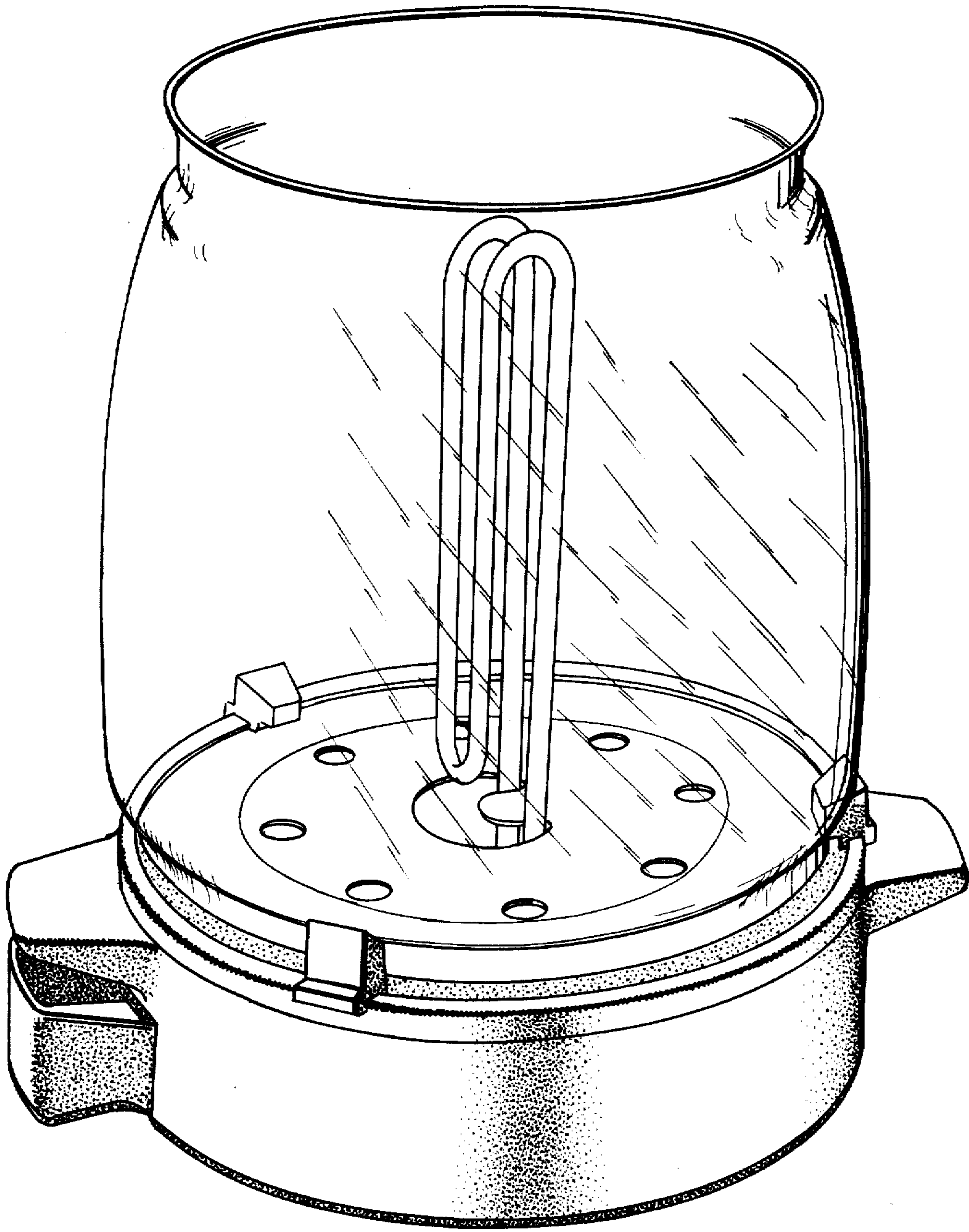
FIG. 3 is a right side view thereof, as viewed in FIG. 2.

FIG. 4 is a left side view thereof, as viewed in FIG. 2.

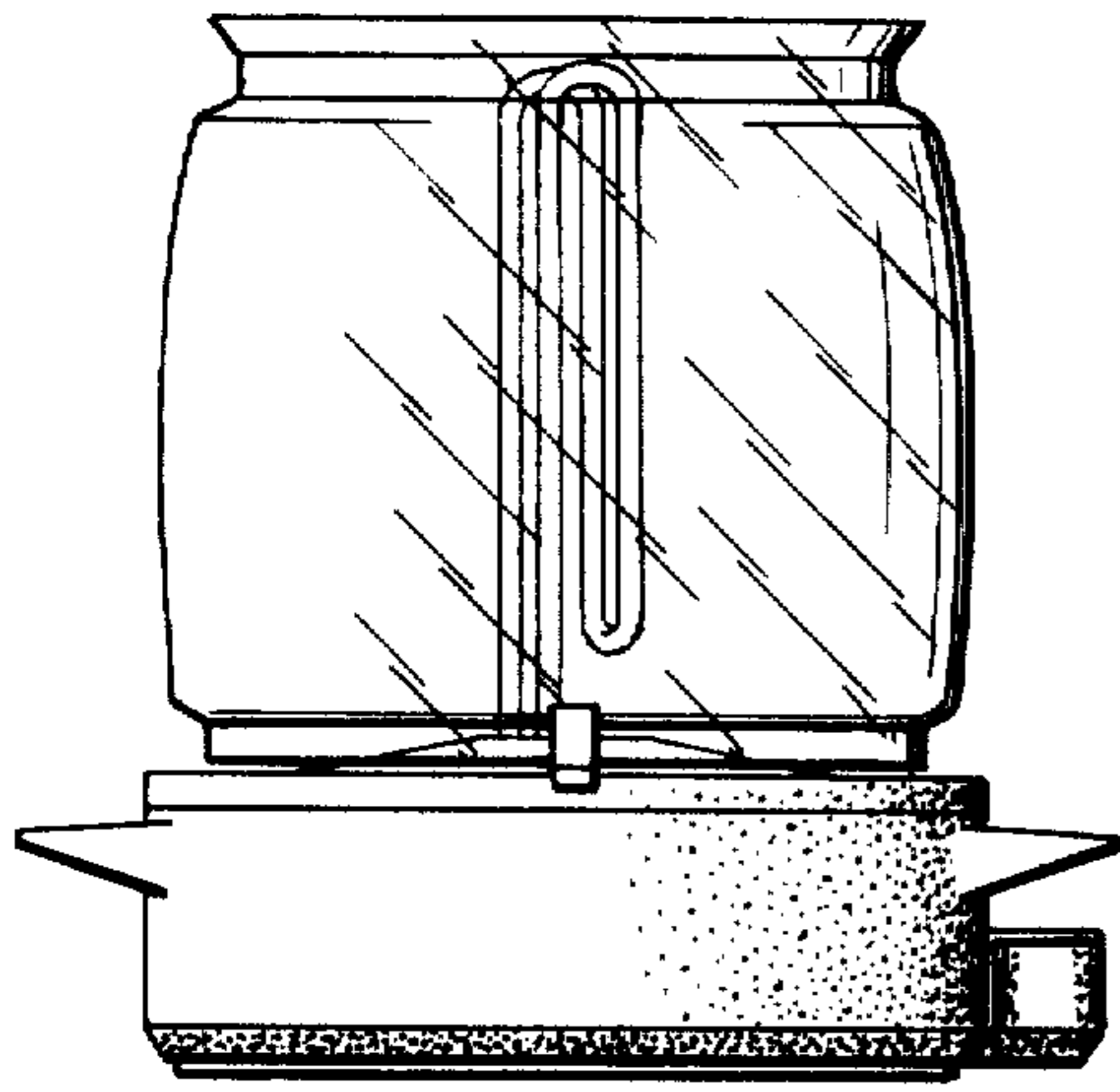
FIG. 5 is a top view thereof.

FIG. 6 is a bottom view thereof.

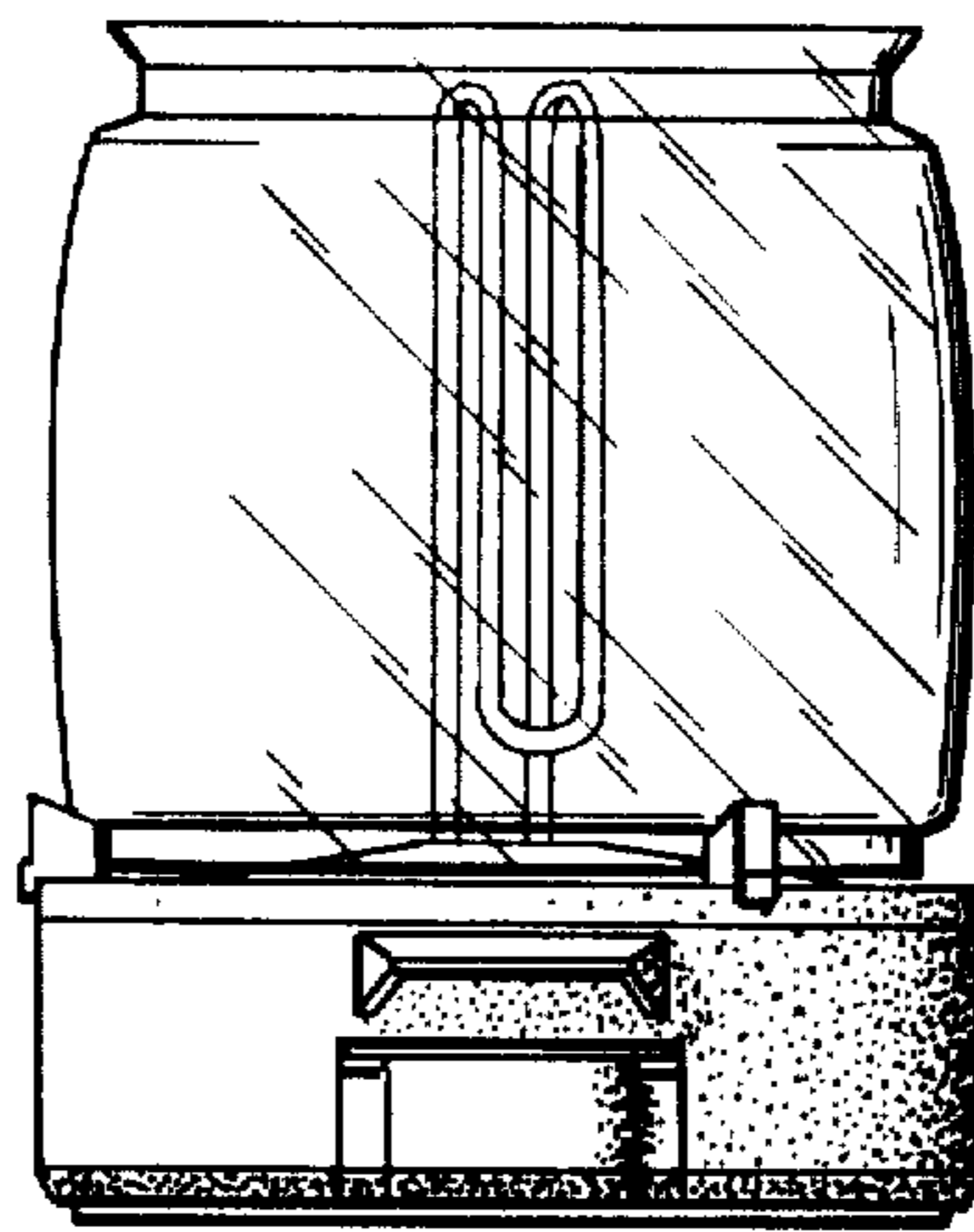




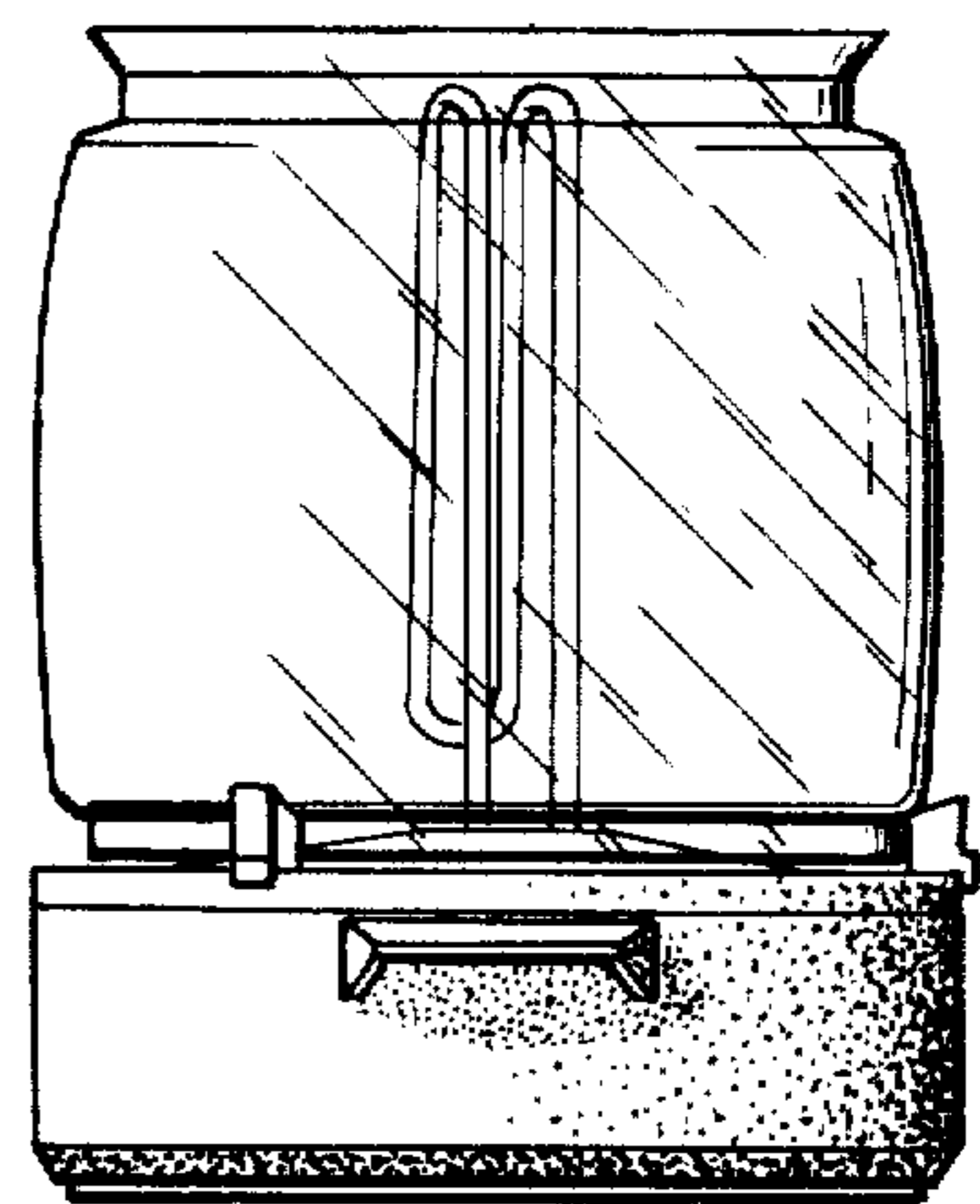
*Fig. 1*



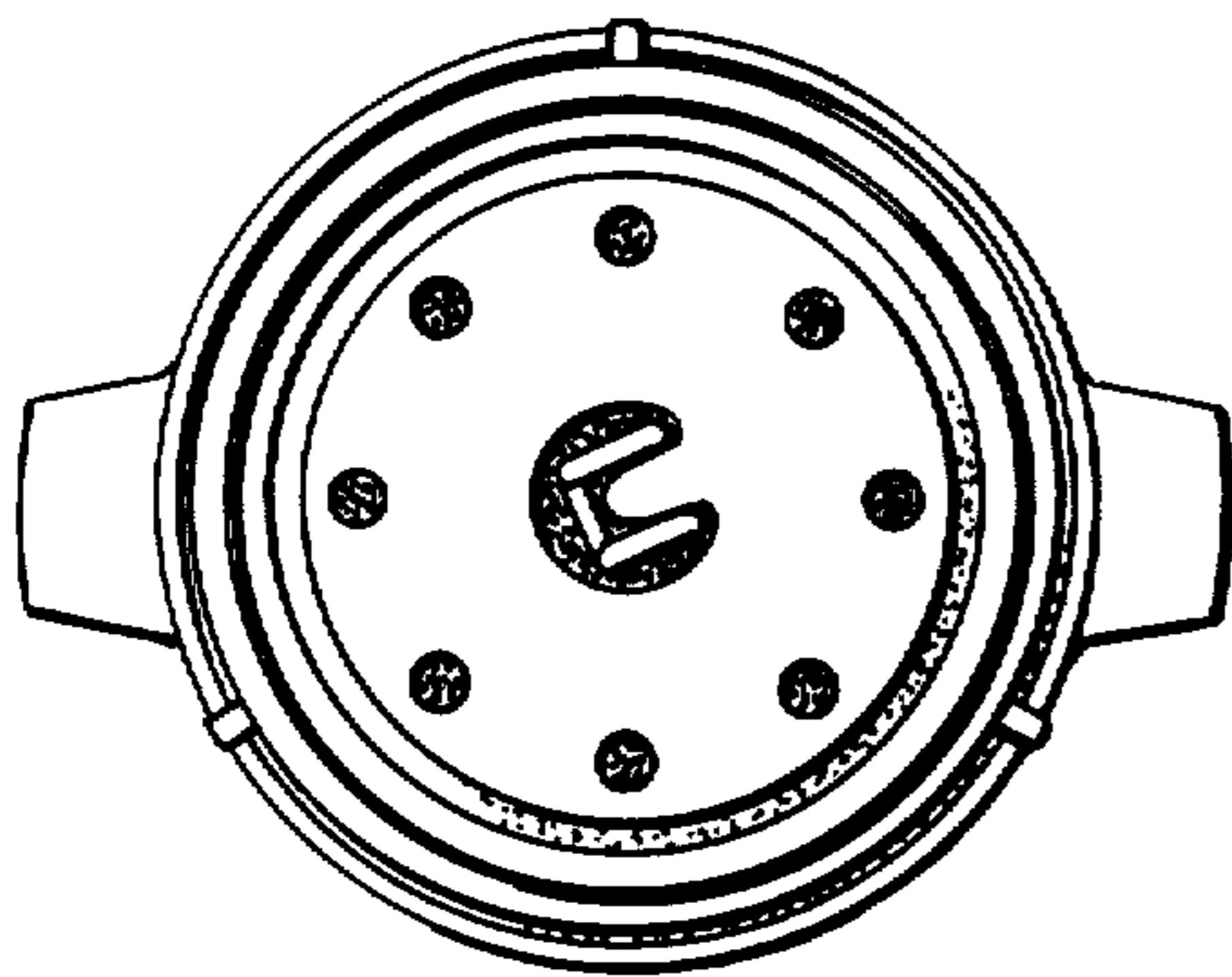
*Fig. 2*



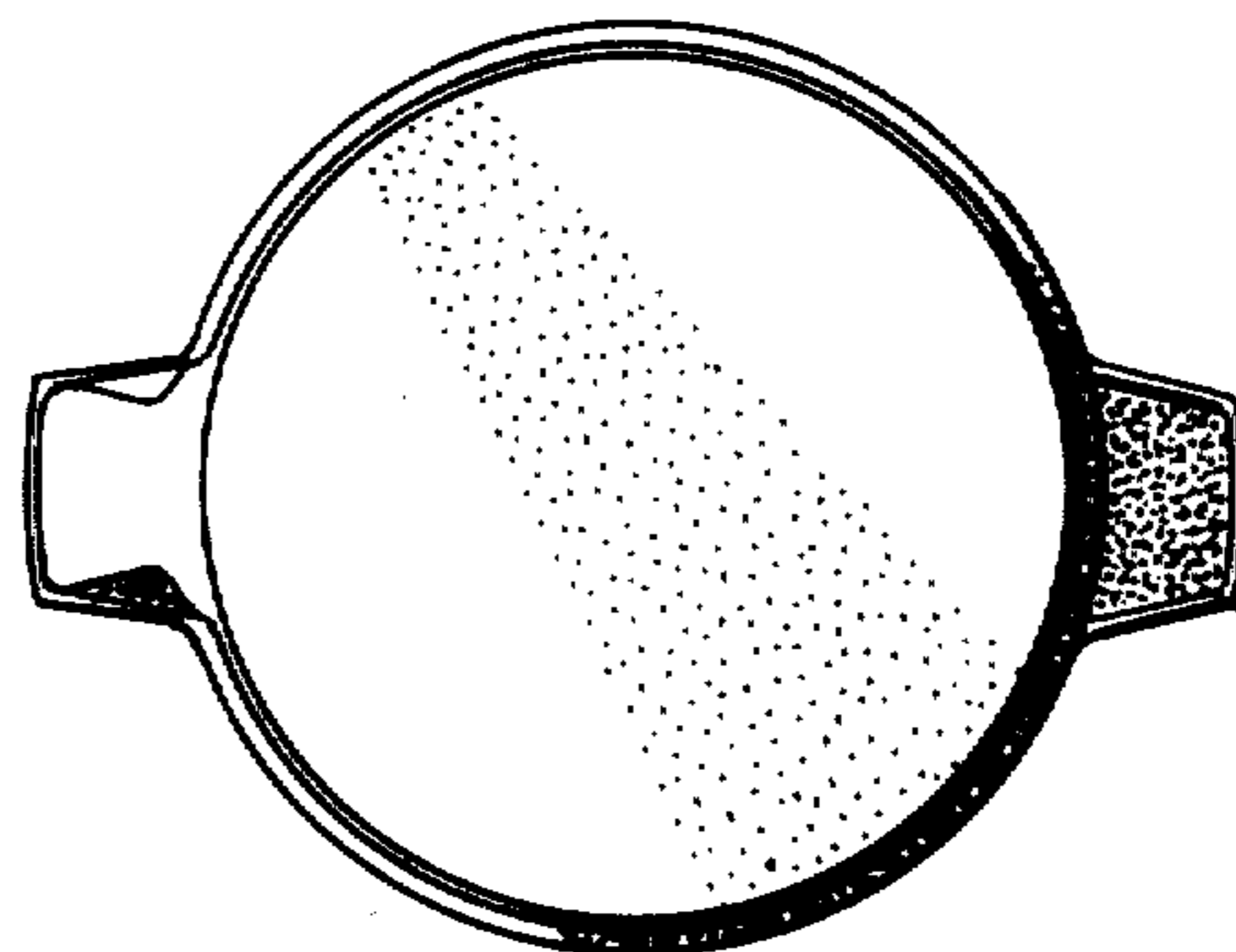
*Fig. 3*



*Fig. 4*



*Fig. 5*



*Fig. 6*