

[54] SUCTION NOZZLE OR THE LIKE

[75] Inventor: John D. Essex, North Canton, Ohio

[73] Assignee: The Hoover Company, North Canton, Ohio

[\*\*] Term: 14 Years

[21] Appl. No.: 119,184

[22] Filed: Feb. 6, 1980

[51] Int. Cl. .... D15-05

[52] U.S. Cl. .... D32/21; D32/32

[58] Field of Search ..... D15/52-55, D15/62-64; 15/324, 325, 326, 327, 377, 382, 415-422

[56] References Cited

U.S. PATENT DOCUMENTS

- D. 135,001 2/1943 Park .
- D. 153,424 4/1949 Dreyfuss ..... D15/53
- D. 189,446 12/1960 Jepson et al. .... D15/53

- D. 199,389 10/1964 Ernest .
- D. 200,292 2/1965 Fritts .
- D. 222,631 11/1971 Gaudry .
- D. 239,591 4/1976 Goodman .
- D. 248,476 7/1978 Haynes .
- D. 252,332 7/1979 Schaefer ..... D15/53

Primary Examiner—Catherine E. Kemper

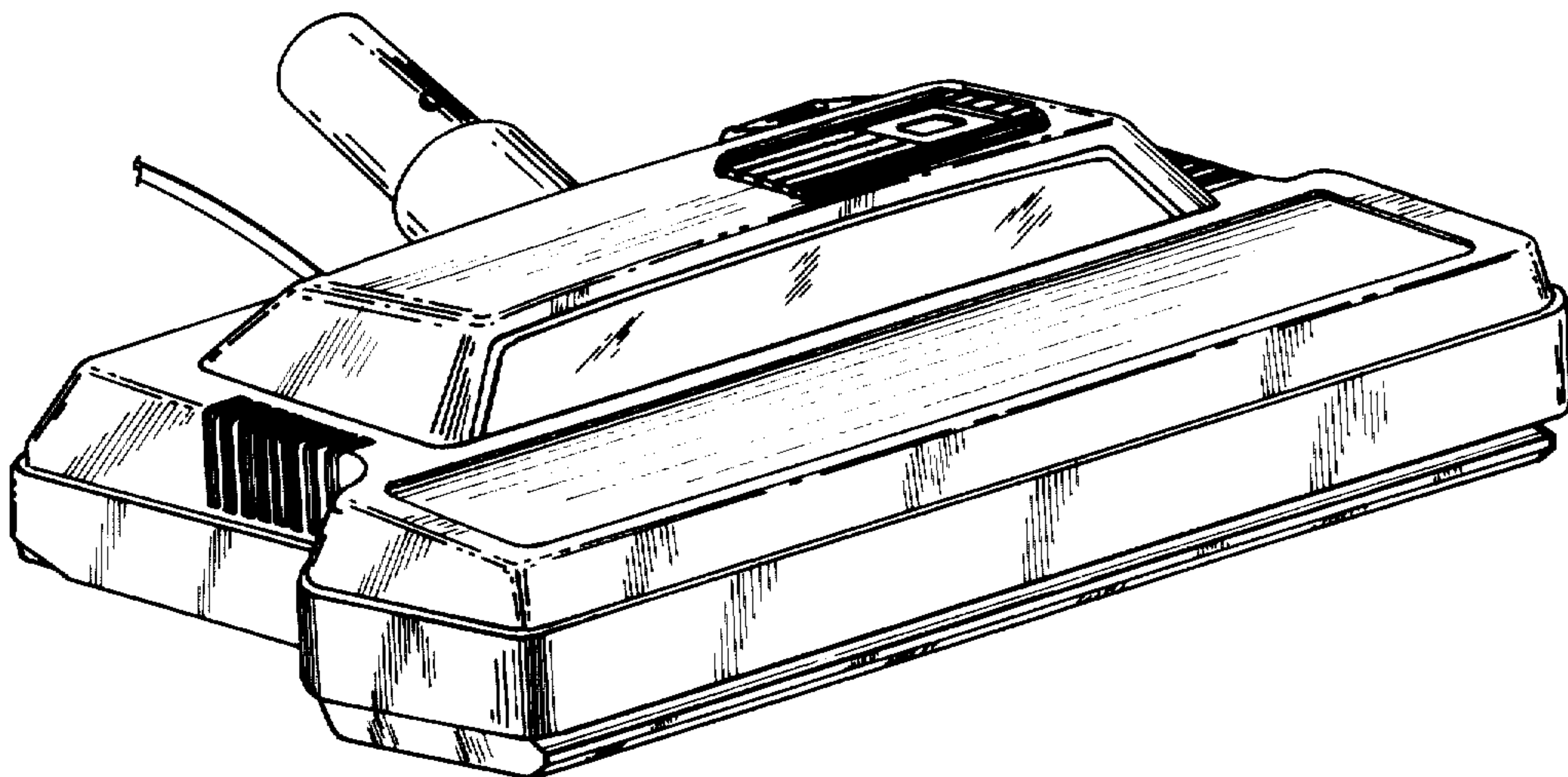
[57] CLAIM

The ornamental design for a suction nozzle or the like, as shown and described.

DESCRIPTION

FIG. 1 is a left front perspective view of a suction nozzle showing my new design;  
 FIG. 2 is a right side elevational view thereof;  
 FIG. 3 is a top view thereof;  
 FIG. 4 is a front elevational thereof;  
 FIG. 5 is a rear elevational view thereof; and  
 FIG. 6 is a bottom plan view thereof.

The conventional electric cord has been shown fragmentarily in FIGS. 1, 3 and 5 for ease of illustration.



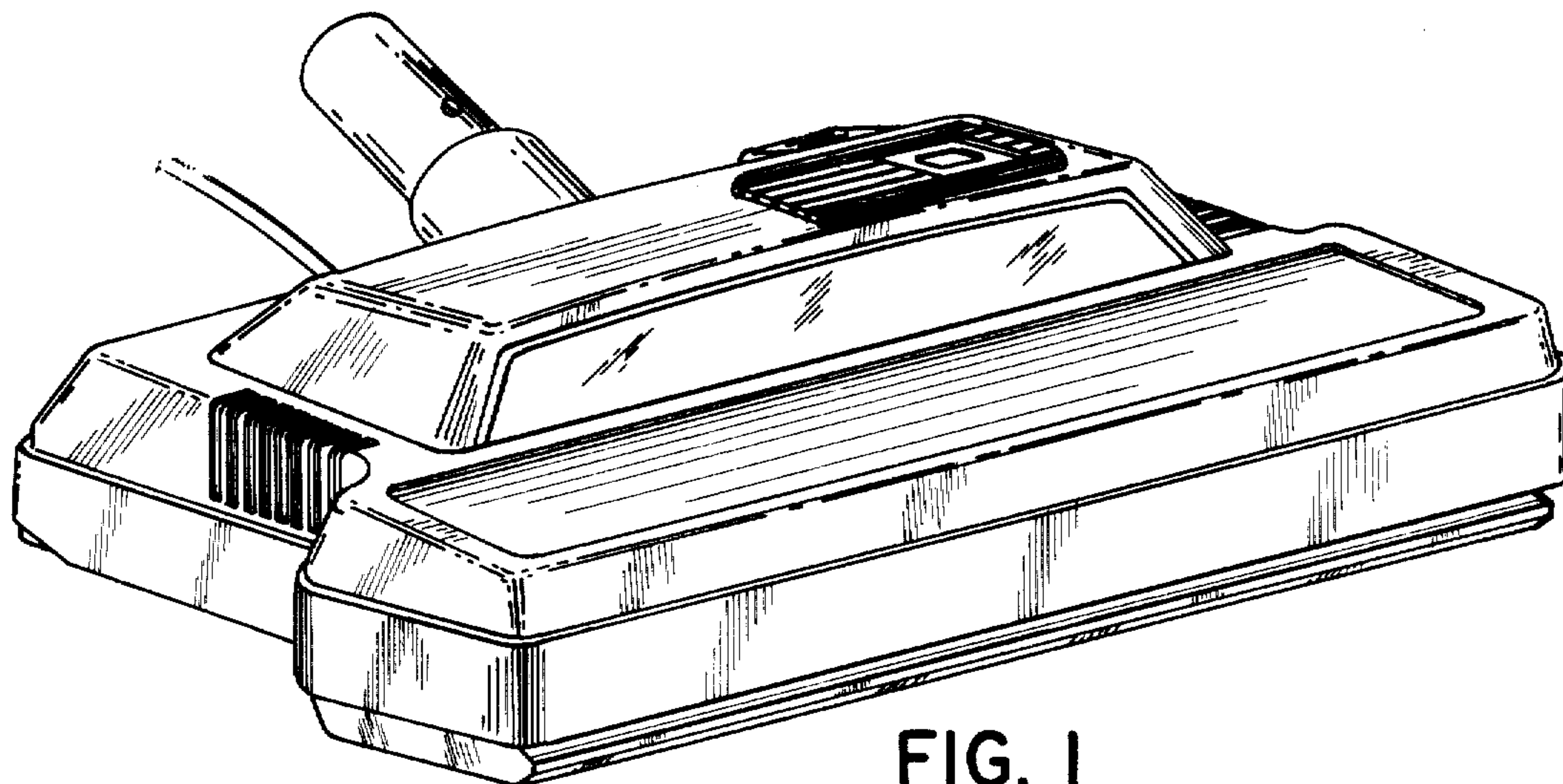


FIG. 1

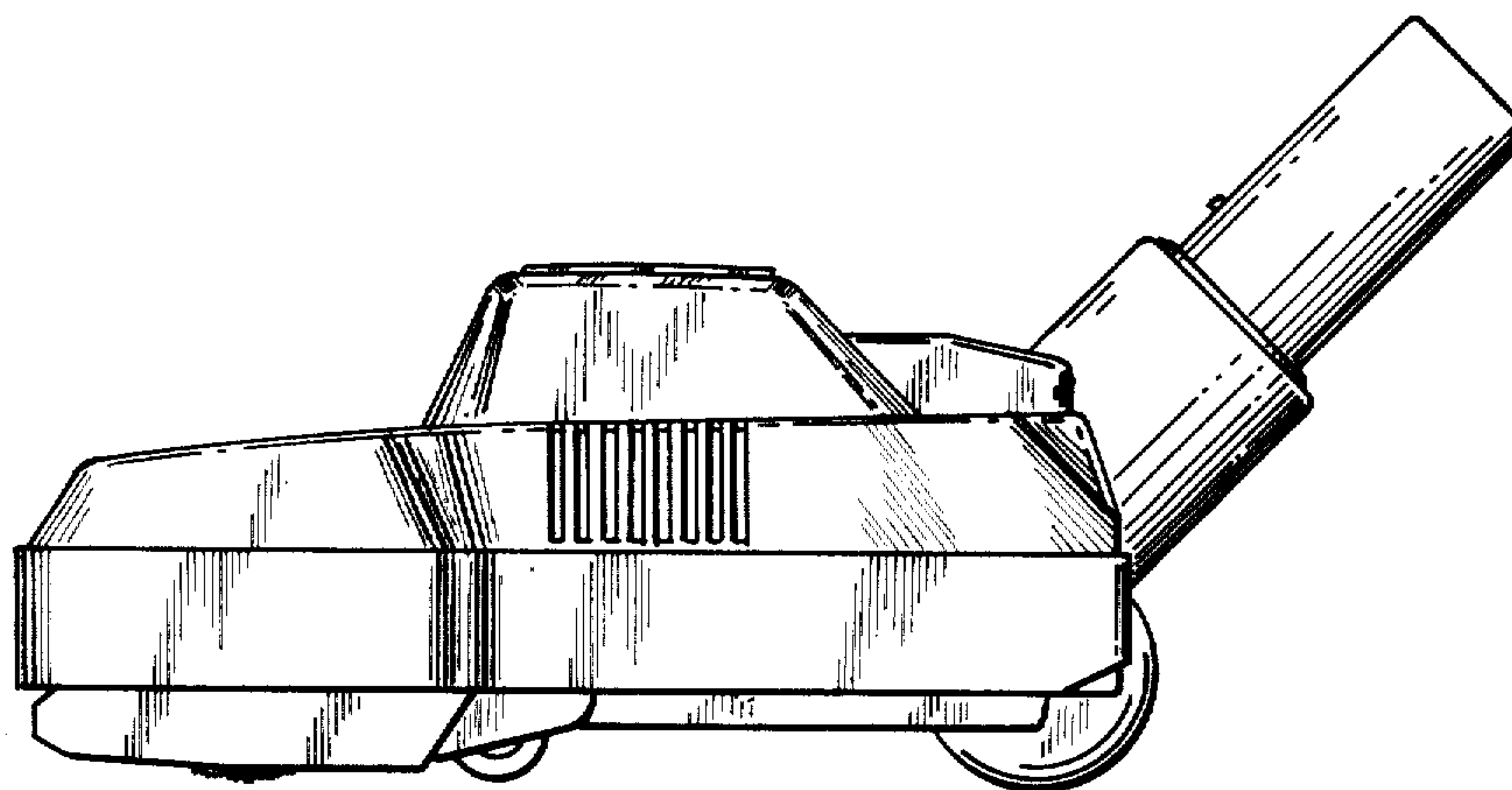
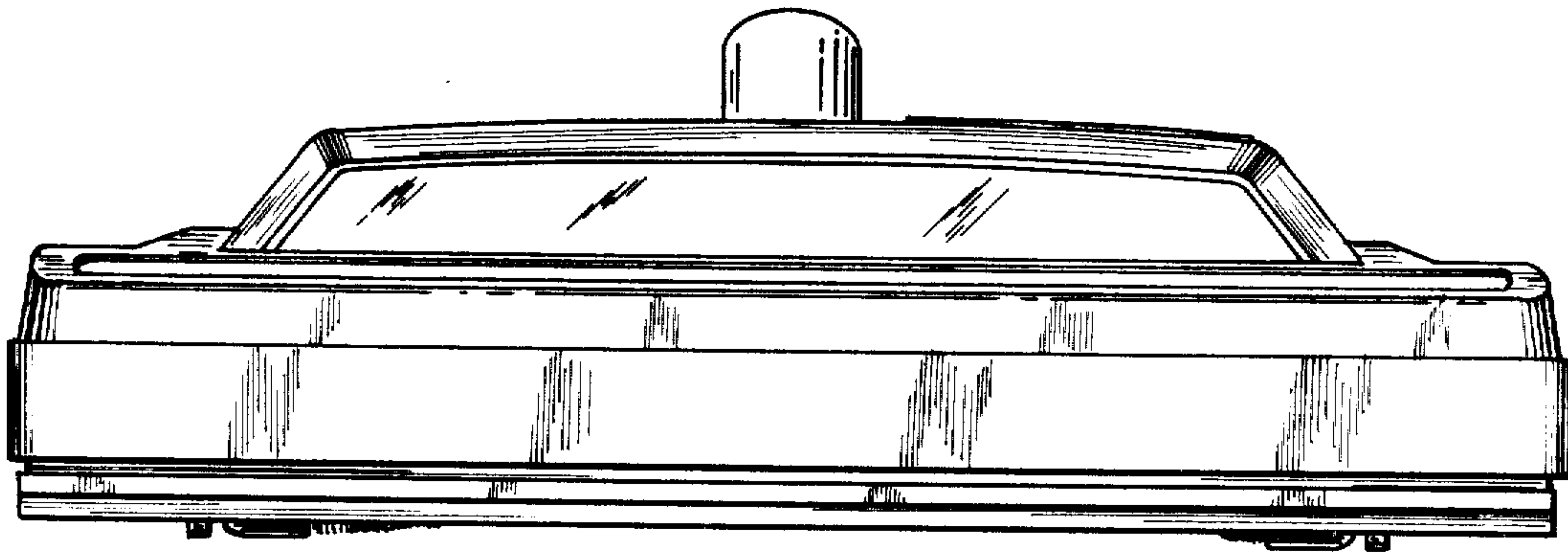
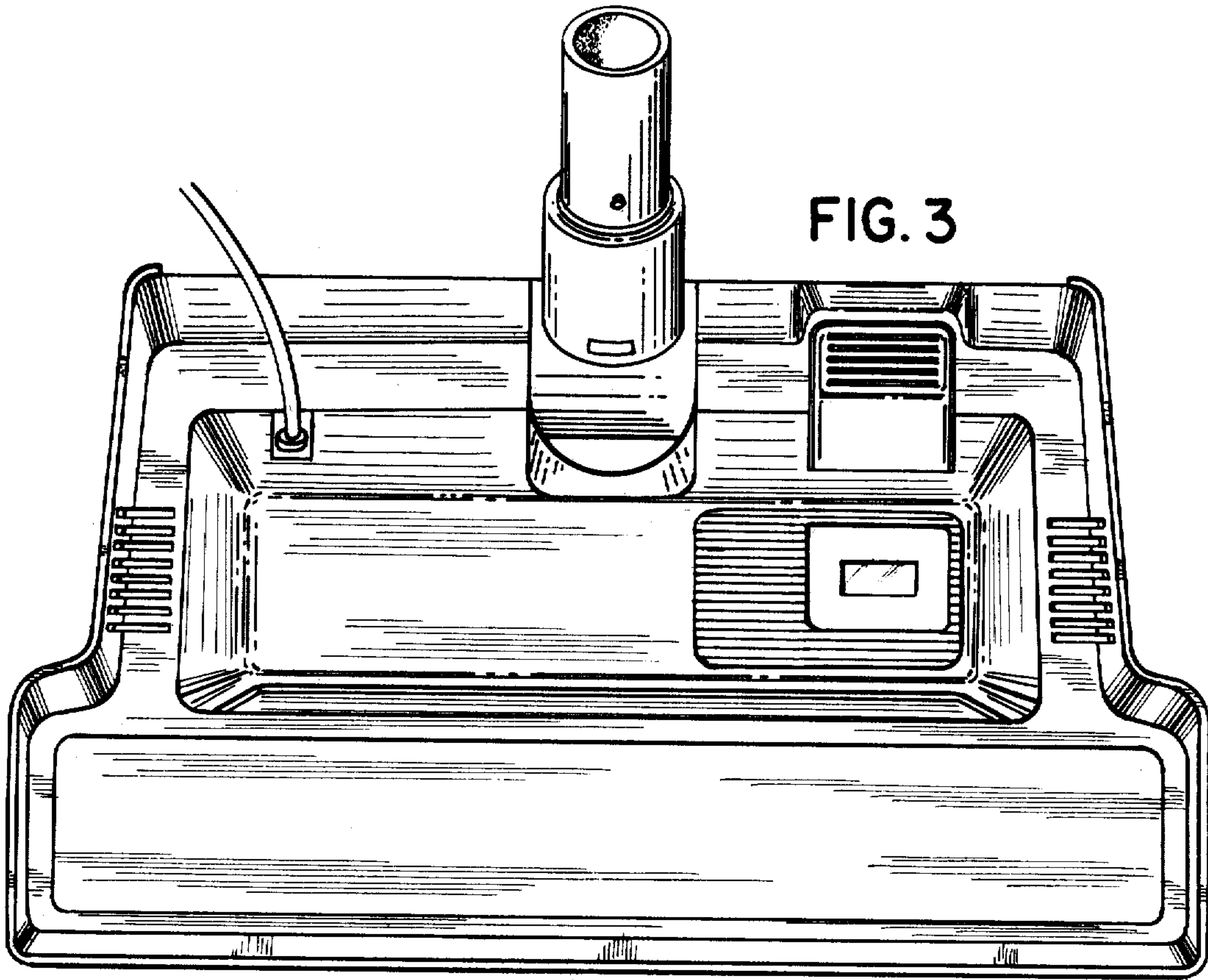


FIG. 2





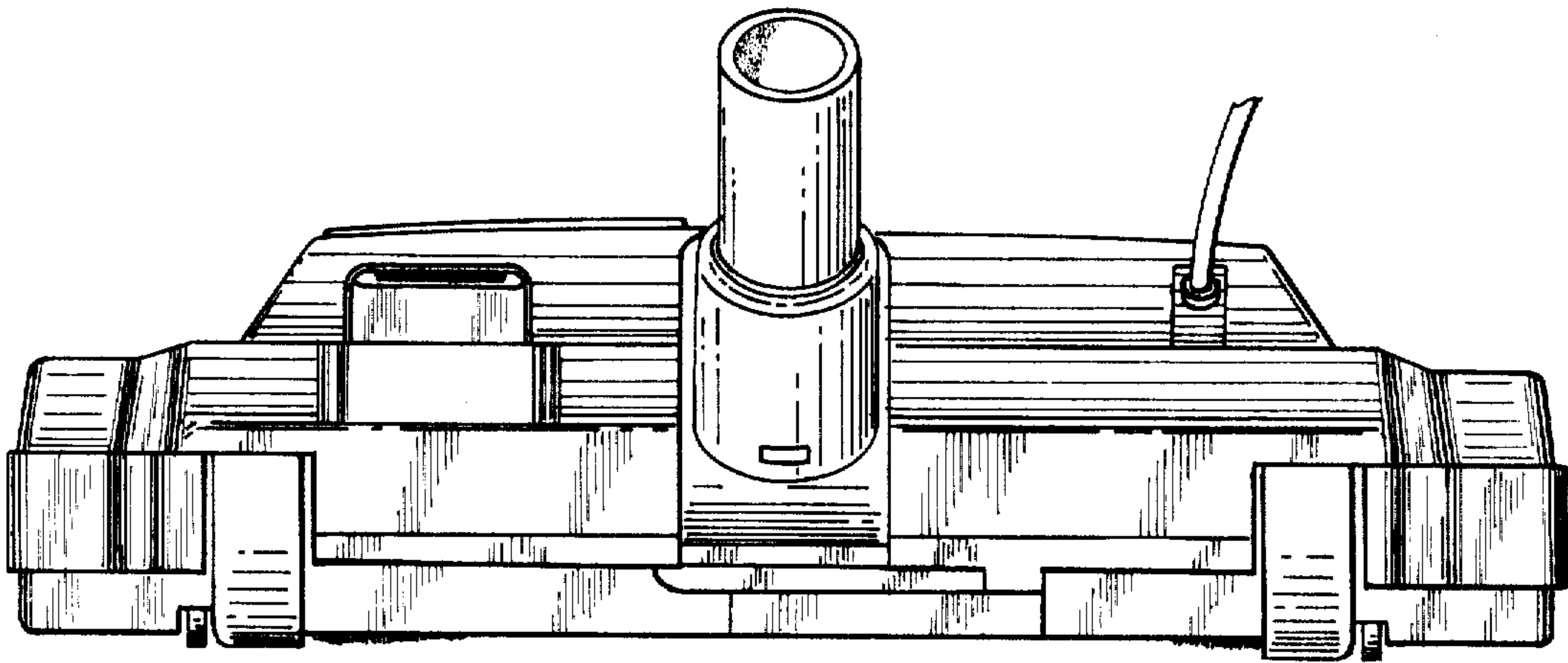


FIG. 5

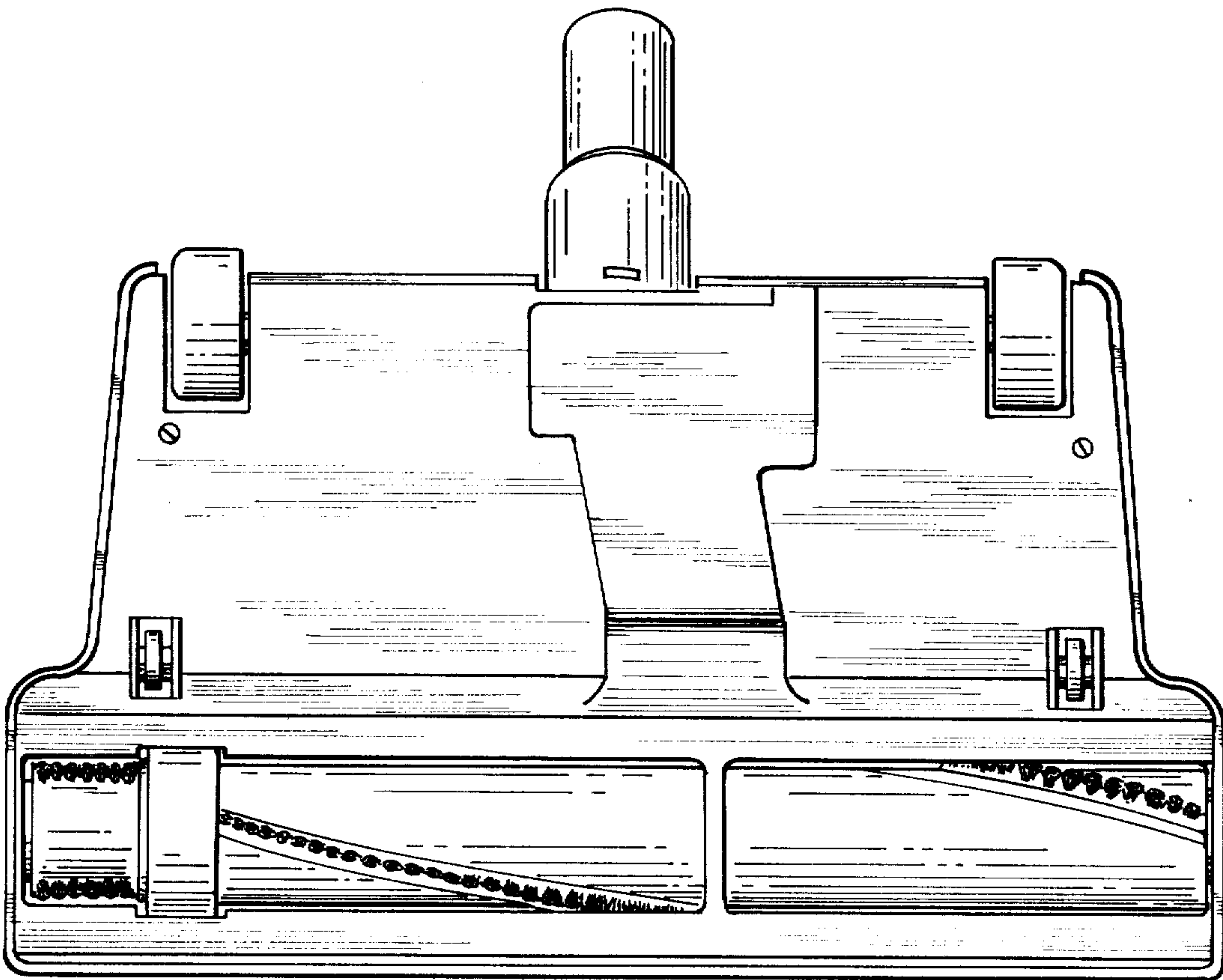


FIG. 6