

[54] **GAS CARBURETOR**

1,873,082 8/1932 Vostrez 48/180 R

[76] Inventor: **Billy D. Thompson**, Box 313,
Wheatland, Okla. 73097

Primary Examiner—Veronica O’Keefe
Attorney, Agent, or Firm—Dunlap, Codding &
McCarthy

[**] Term: **14 Years**

[57] **CLAIM**

[21] Appl. No.: **84,092**

The ornamental design for a gas carburetor, as shown
and described.

[22] Filed: **Oct. 12, 1979**

[51] Int. Cl. **D15—01**

DESCRIPTION

[52] U.S. Cl. **D15/6; 48/180 R;**
48/219

FIG. 1 is a top plan view of the gas carburetor design of
the present invention.

[58] Field of Search **D15/6; 48/180 R, 219**

FIG. 2 is an elevational view of one side thereof.

[56] **References Cited**

FIG. 3 is an elevational view of the other side thereof.

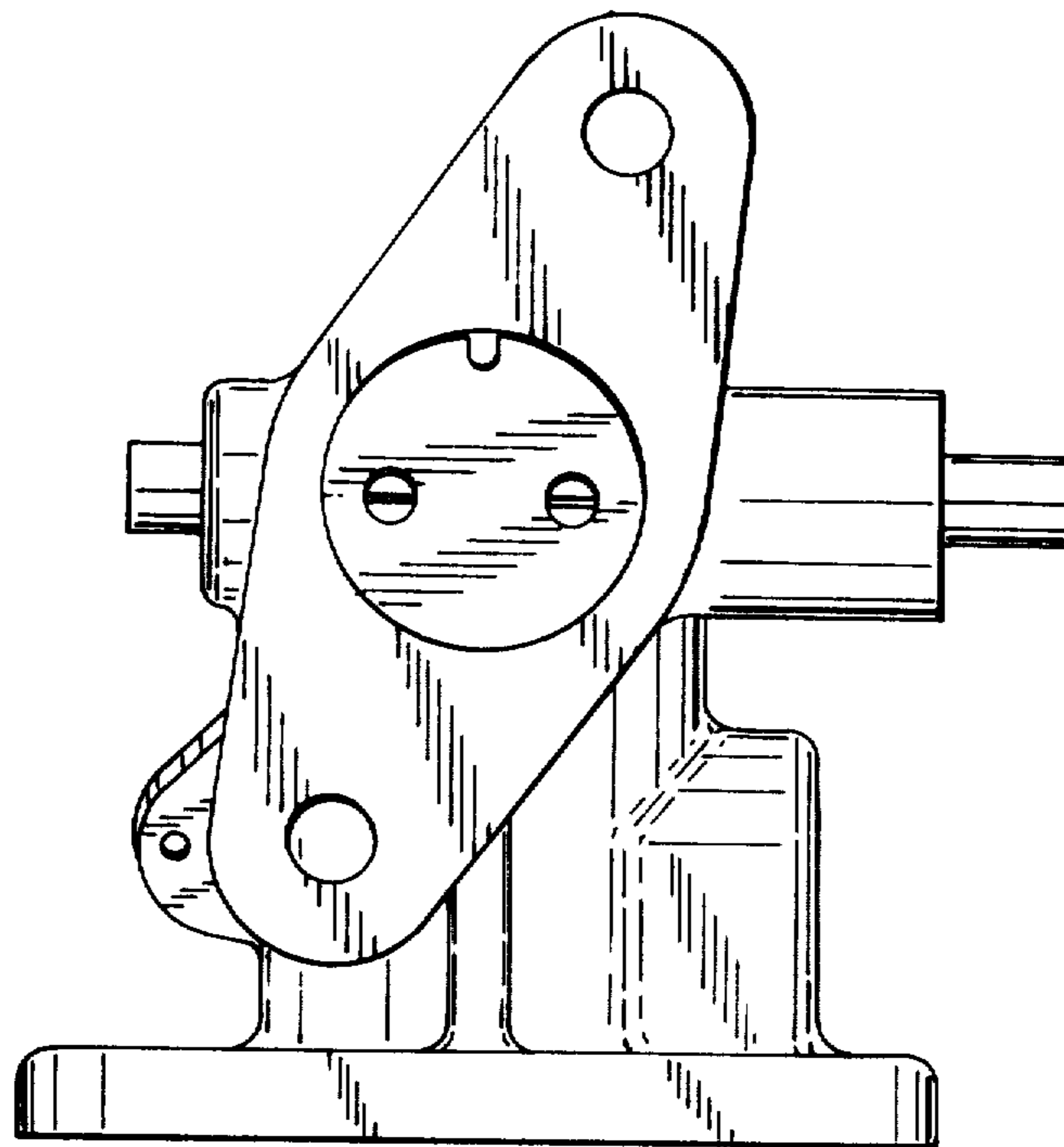
U.S. PATENT DOCUMENTS

FIG. 4 is a front elevational view thereof.

1,297,506 3/1919 Staude 48/219

FIG. 5 is a rear elevational view thereof.

FIG. 6 is a bottom elevational view thereof.



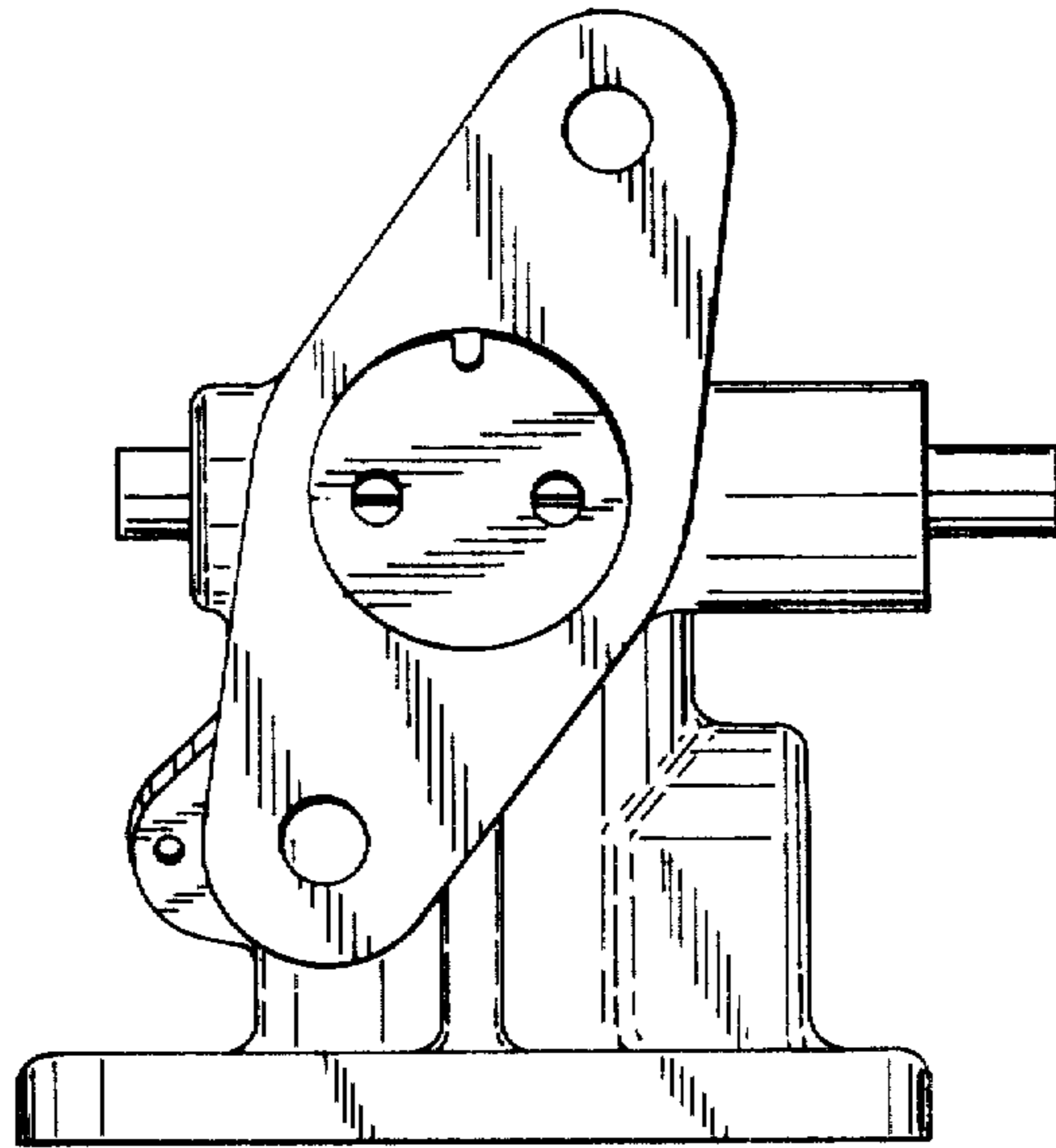


FIG. 1

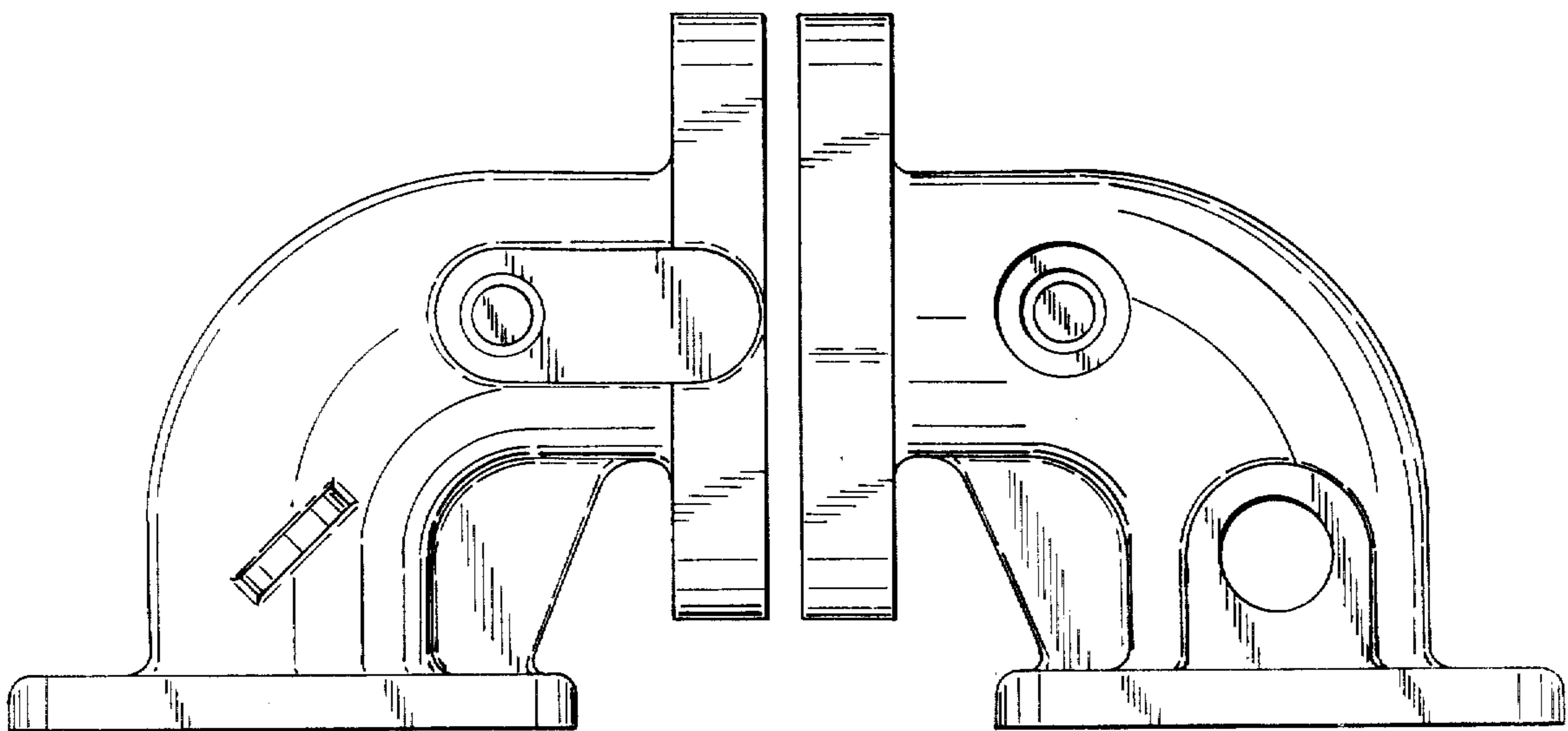


FIG. 2

FIG. 3

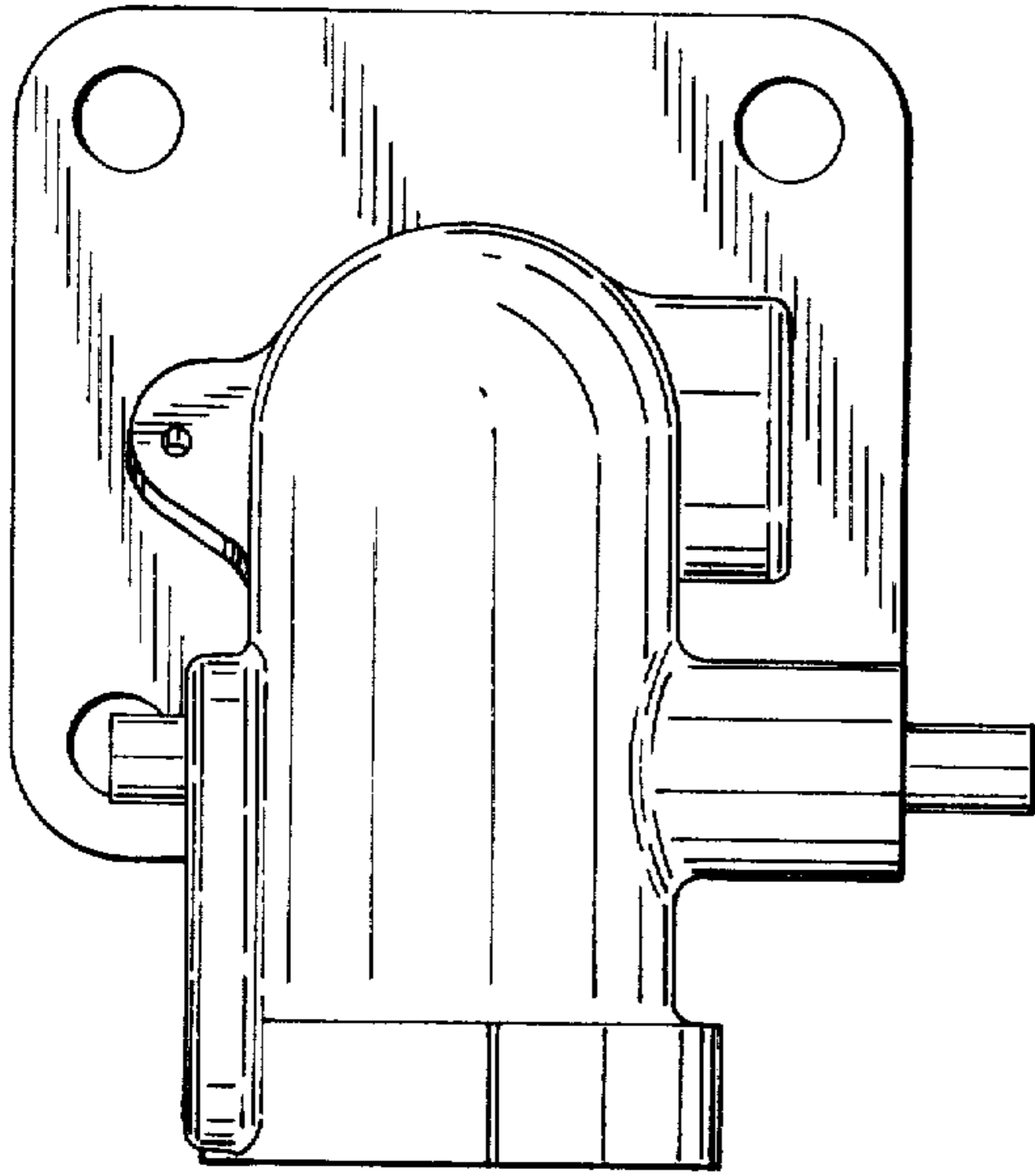


FIG. 4

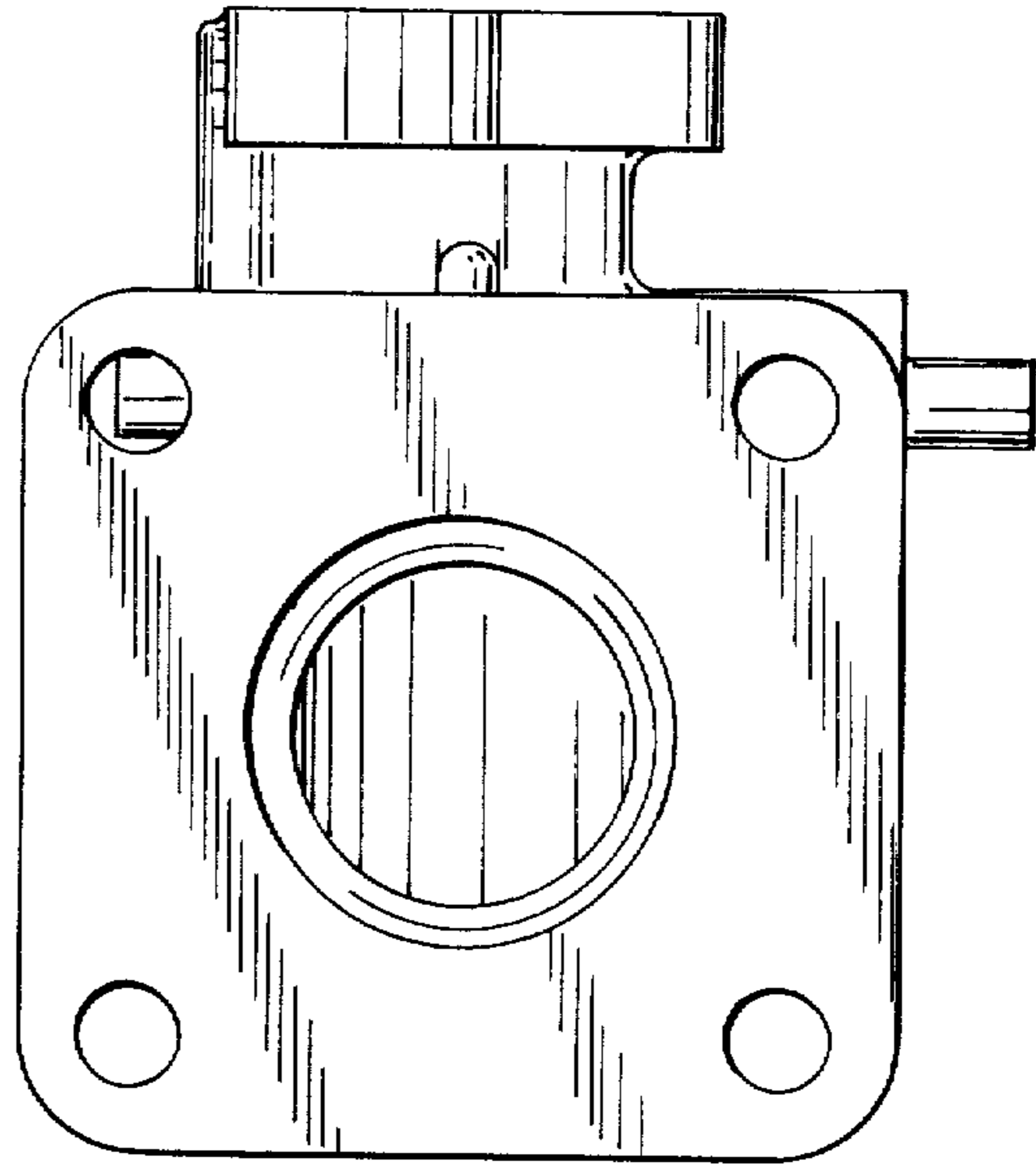


FIG. 5

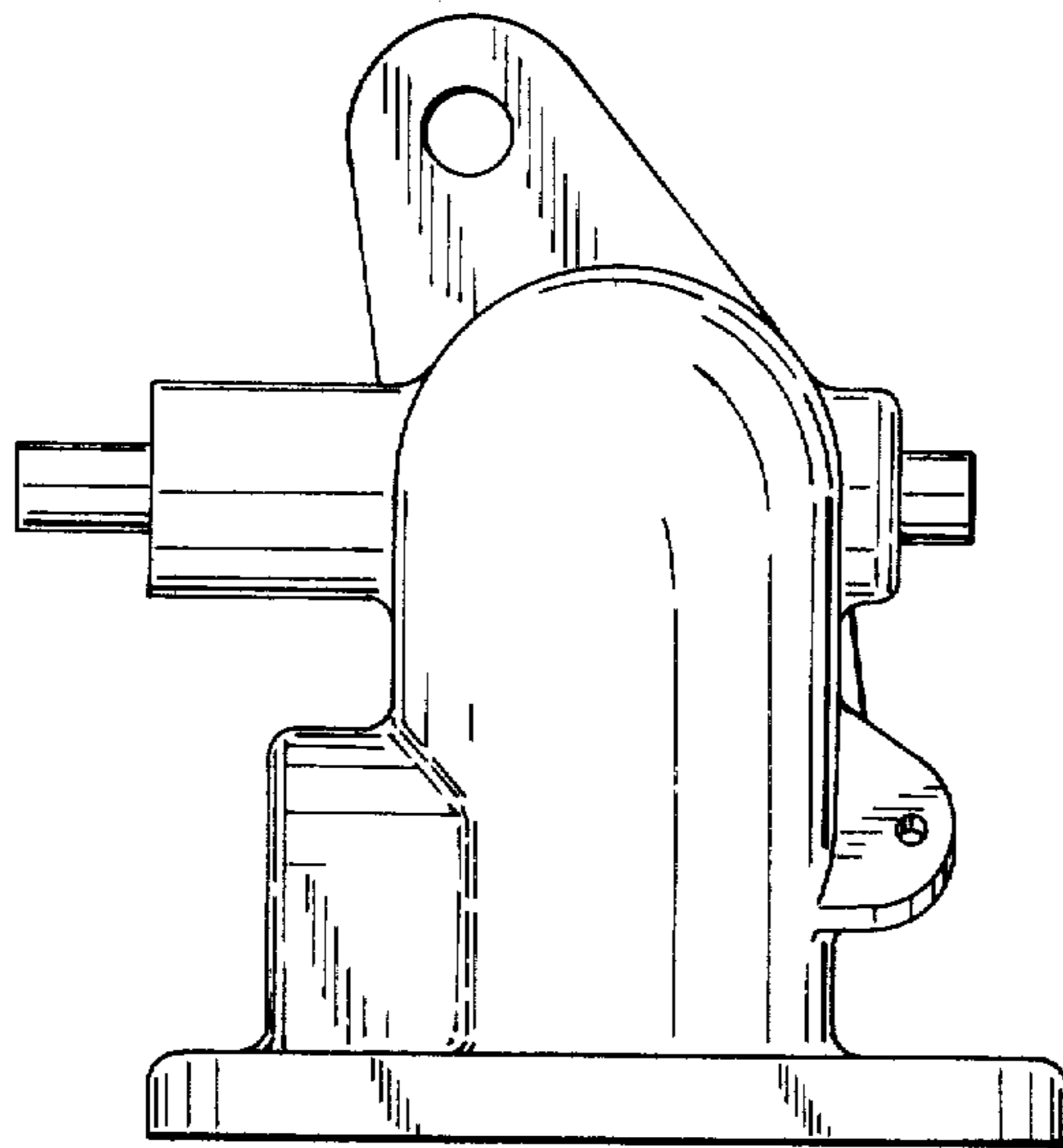


FIG. 6