

[54] COMBINED CASSETTE RECORDER AND RADIO RECEIVER

[75] Inventors: Takao Okada, Kyoto; Masanori Hamada, Yao; Kikuo Ohta, Ikoma, all of Japan

[73] Assignee: Matsushita Electric Industrial Co., Ltd., Kadoma, Japan

[\*\*] Term: 14 Years

[21] Appl. No.: 99,130

[22] Filed: Nov. 30, 1979

[30] Foreign Application Priority Data

May 31, 1979 [JP] Japan ..... 54-22464

[51] Int. Cl. .... D14-01; D14-03

[52] U.S. Cl. .... D14/5; D14/6; D14/70; D14/72

[58] Field of Search ..... D14/1, 5, 6, 68-76, D14/99

[56] References Cited

U.S. PATENT DOCUMENTS

- D. 236,902 9/1975 Okada et al. .... D14/5
- D. 250,473 12/1978 Kadota ..... D14/6
- D. 252,512 7/1979 Van Deuren ..... D14/6

OTHER PUBLICATIONS

Best Products '78 Buyer's Bk. #121-F, p. 326, Item "H".

W. Bell & Co. '79 Cat., ©'78, p. 282, Item "D".

Primary Examiner—Jane E. Corrigan

Attorney, Agent, or Firm—Sughrue, Mion, Zinn, Macpeak and Seas

[57] CLAIM

The ornamental design for a combined cassette recorder and radio receiver, as shown.

DESCRIPTION

FIG. 1 is a front, top and right side perspective view of a combined cassette recorder and radio receiver showing our new design;

FIG. 2 is a front elevational view thereof;

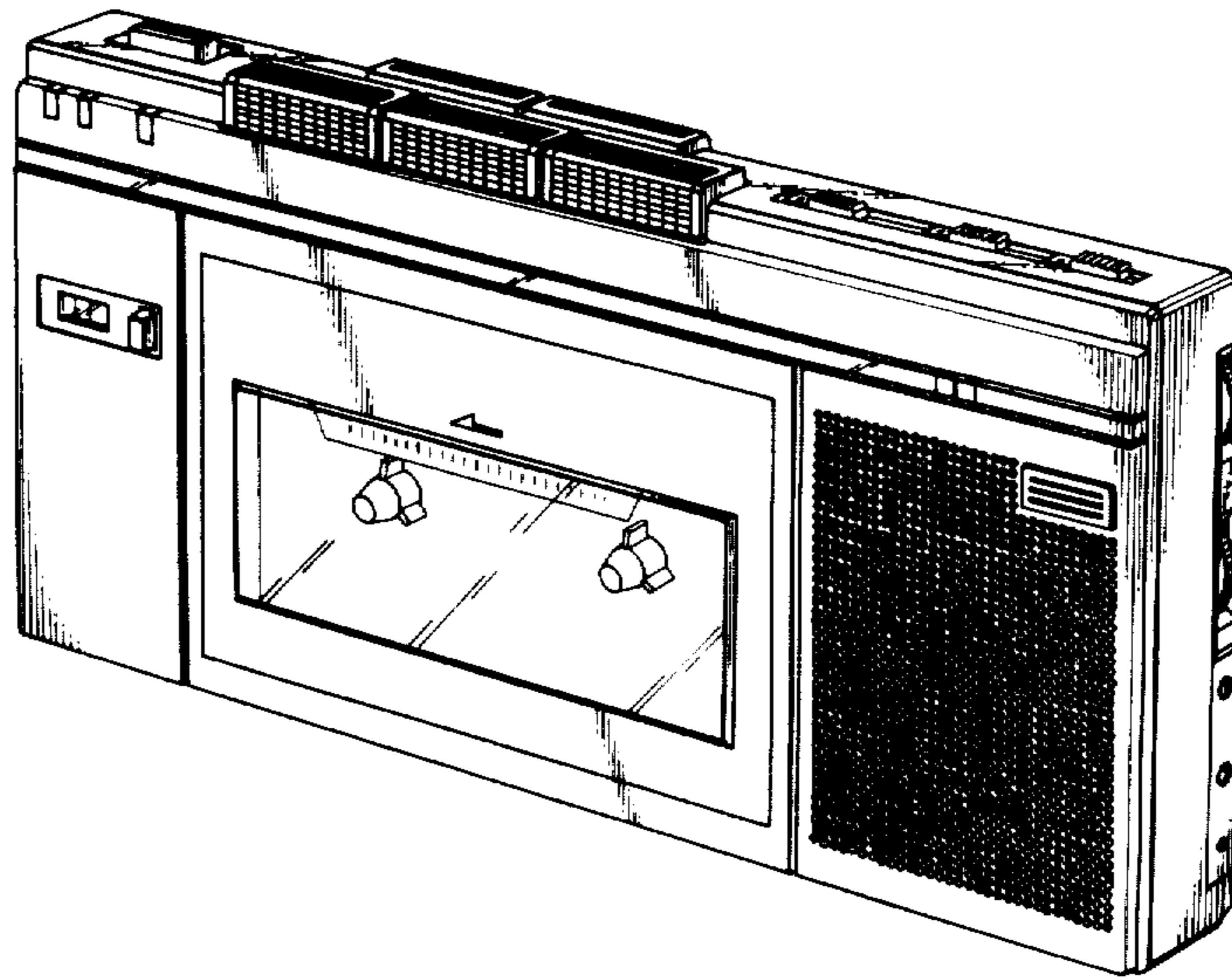
FIG. 3 is a top plan view thereof;

FIG. 4 is a bottom plan view thereof;

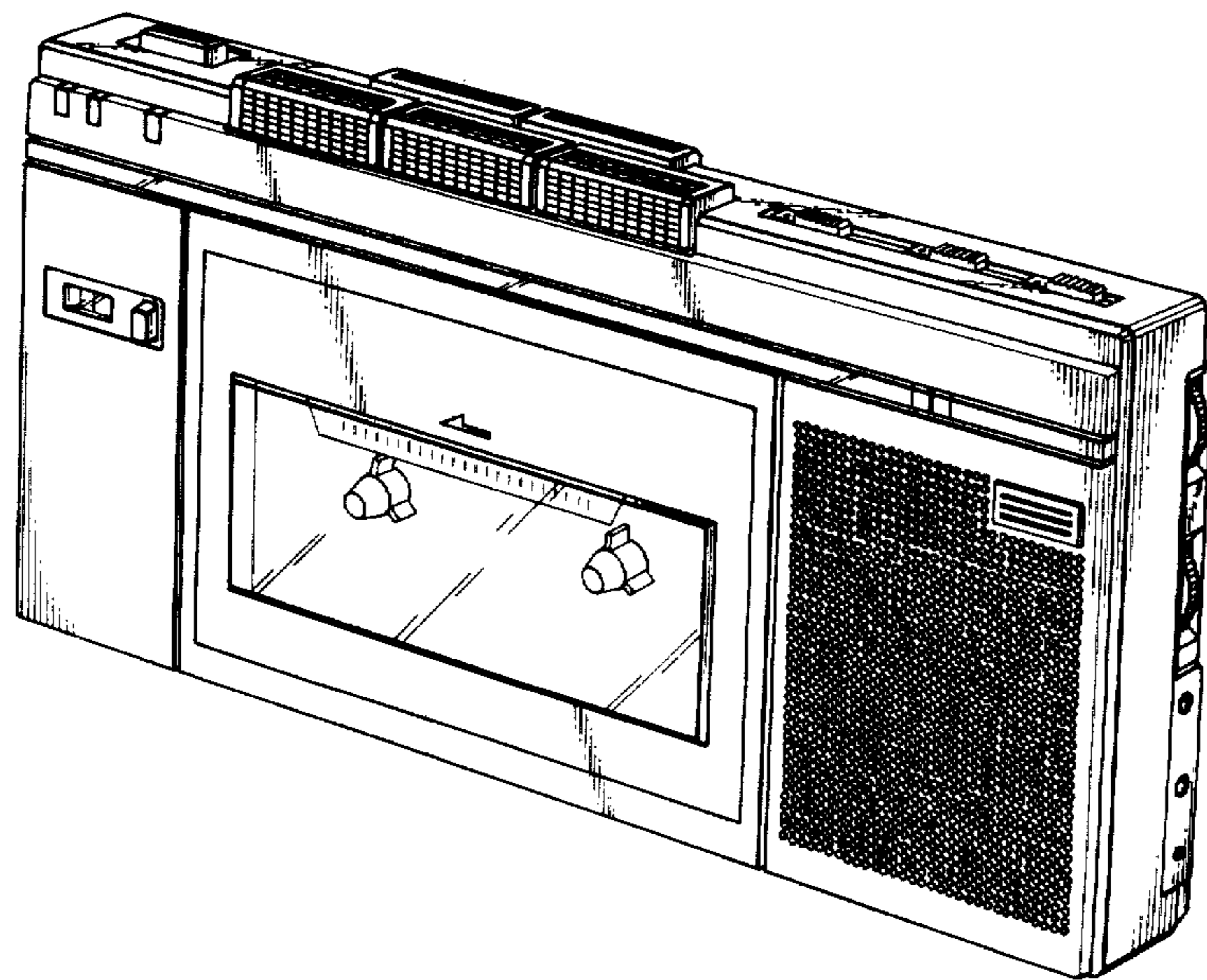
FIG. 5 is a rear elevational view;

FIG. 6 is a left side elevational view; and

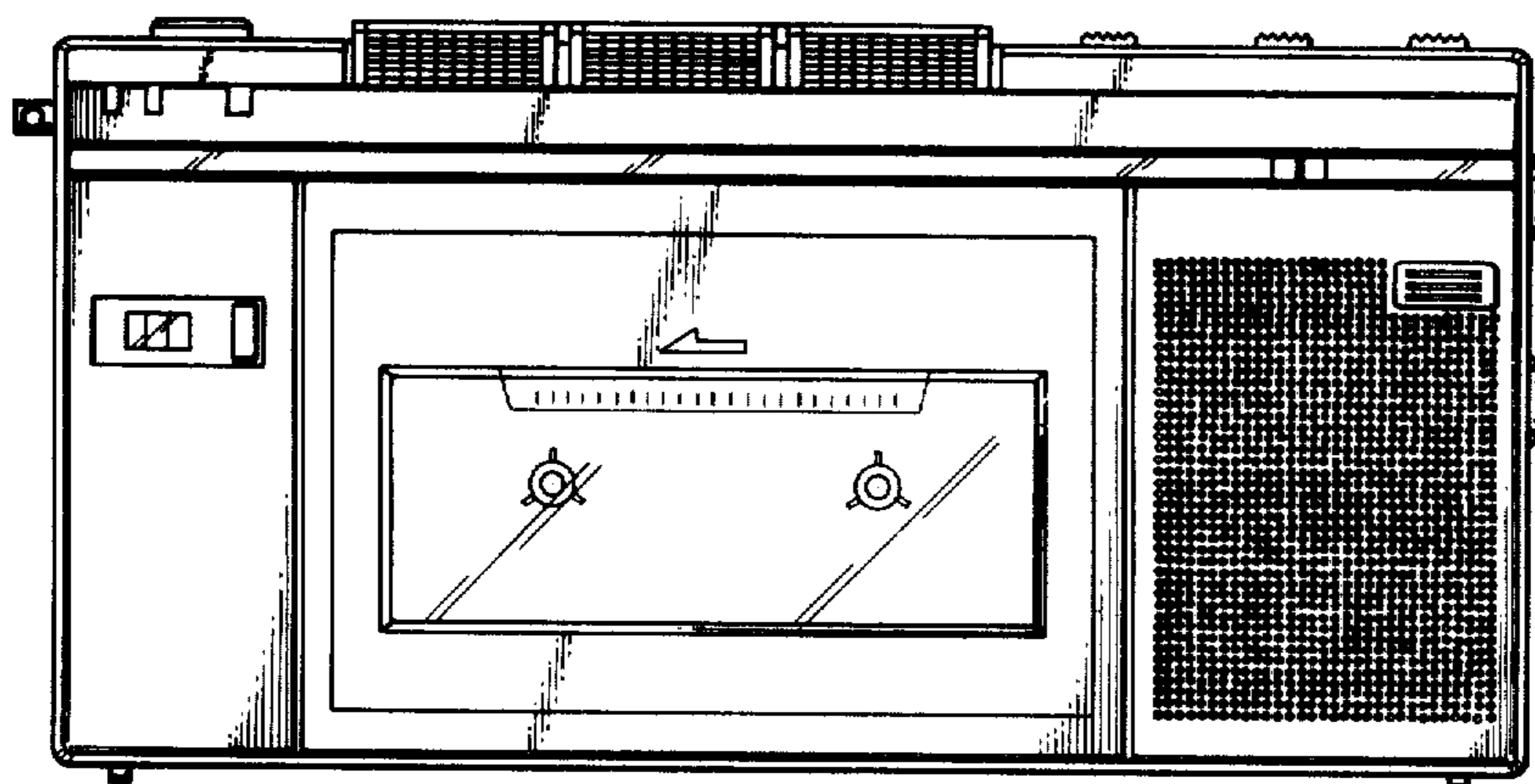
FIG. 7 is a right side elevational view.



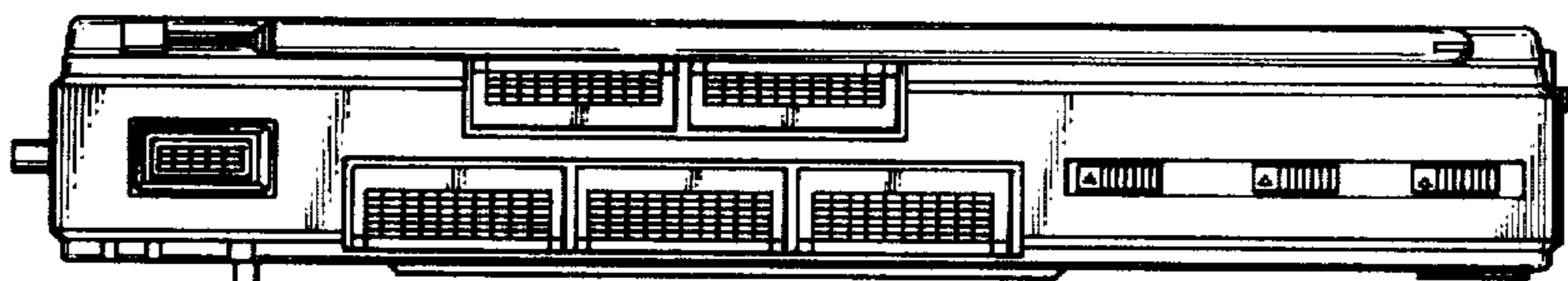
*Fig. 1*



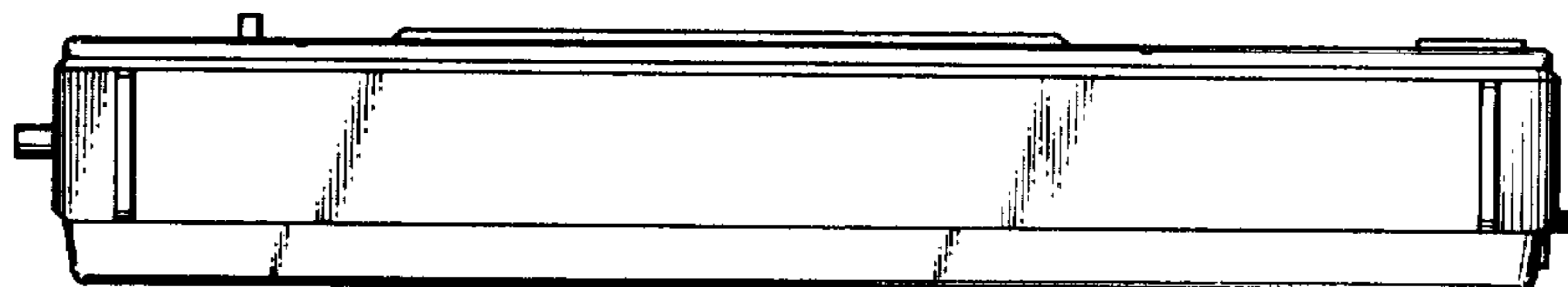
*Fig. 2*



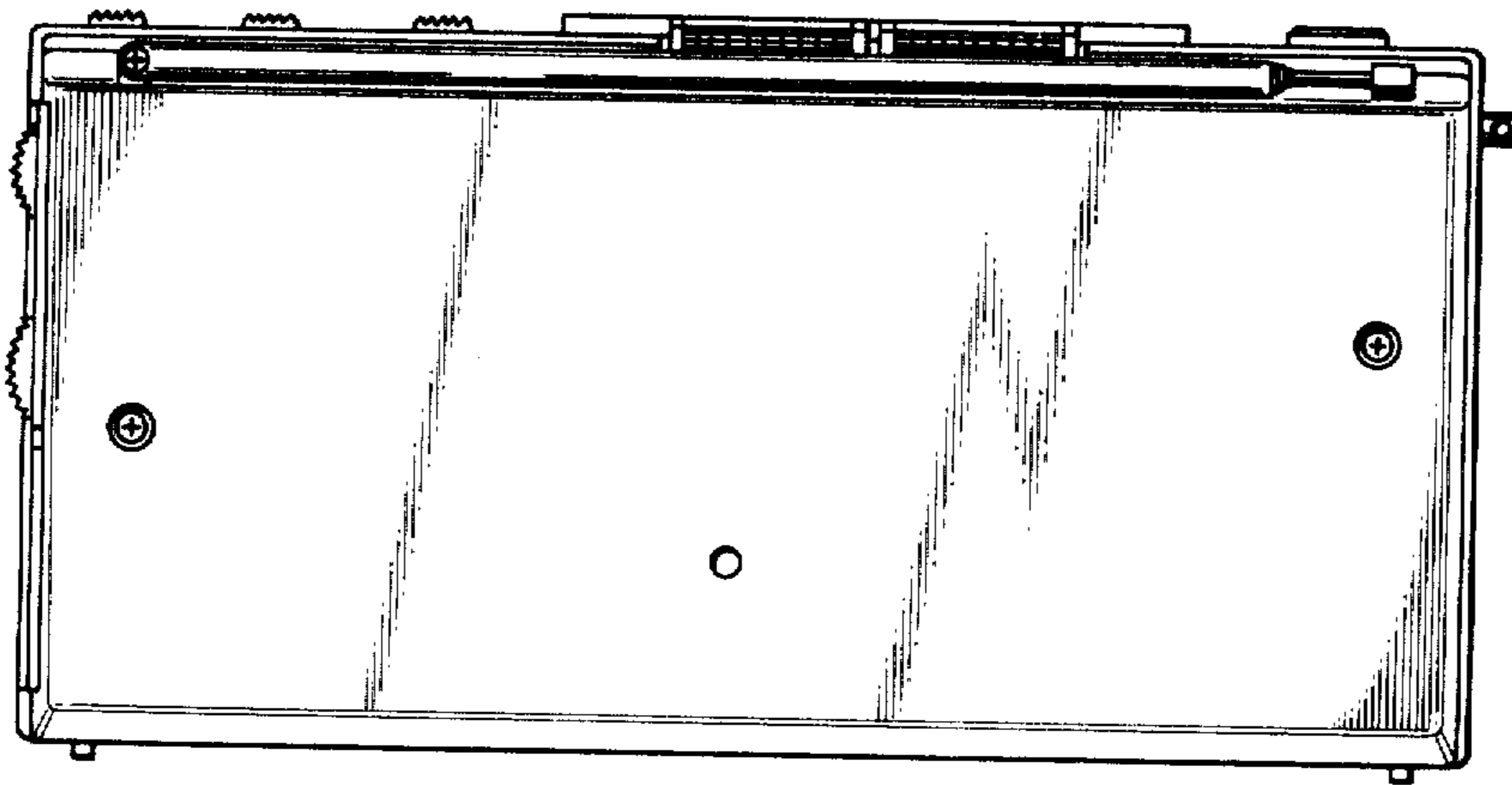
*Fig. 3*



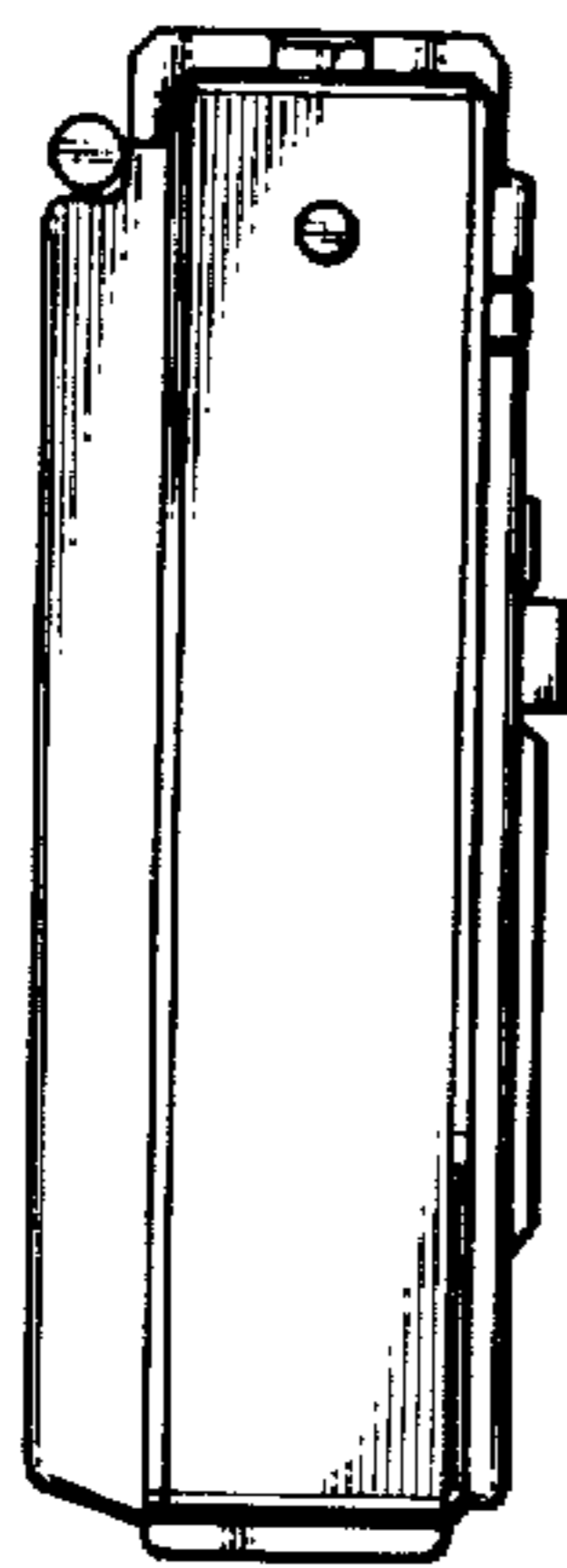
*Fig. 4*



*Fig. 5*



*Fig. 6*



*Fig. 7*

