

[54] CARRIER RACK FOR PICKUP TRUCKS

[76] Inventor: Edward L. Hagist, Rte. 1, Box 58, Keota, Iowa 52248

[**] Term: Years

[21] Appl. No.: 63,246

[22] Filed: Aug. 3, 1979

[51] Int. Cl. D12-16

[52] U.S. Cl. D12/156

[58] Field of Search D12/156, 157; 296/3, 296/10

[56] References Cited

U.S. PATENT DOCUMENTS

D. 220,688 5/1971 Zulim et al. D12/157

D. 236,973 9/1975 Burton D12/157

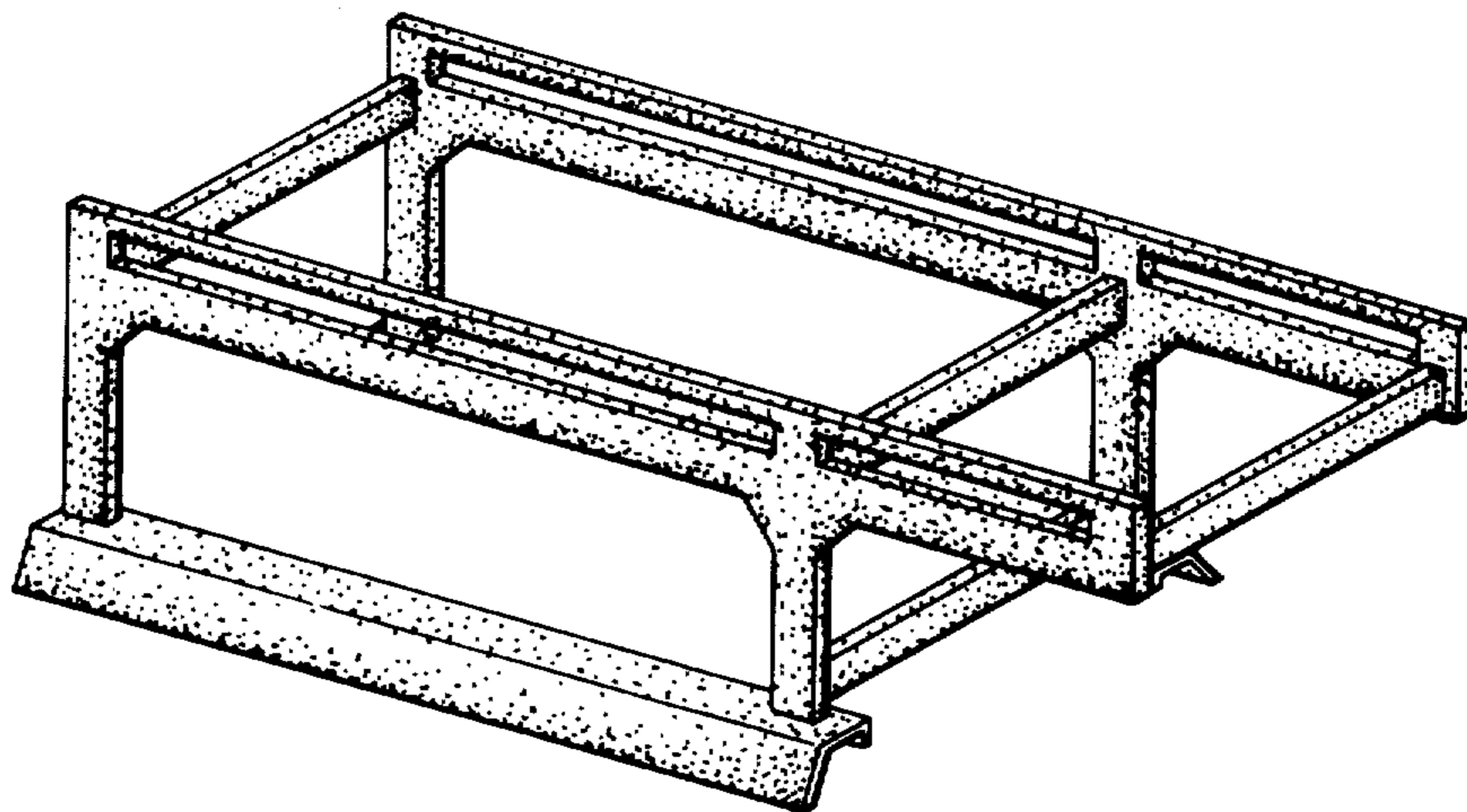
Primary Examiner—James M. Gandy
Attorney, Agent, or Firm—James C. Nemmers; Haven E. Simmons

[57] CLAIM

The ornamental design for a carrier rack for pickup trucks, as shown.

DESCRIPTION

FIG. 1 is a perspective view of a carrier rack for pickup trucks showing my new design; FIG. 2 is a top plan view thereof; FIG. 3 is a right end elevational view thereof; FIG. 4 is a side elevational view thereof; FIG. 5 is a left end elevational view thereof; and FIG. 6 is a bottom plan view thereof.



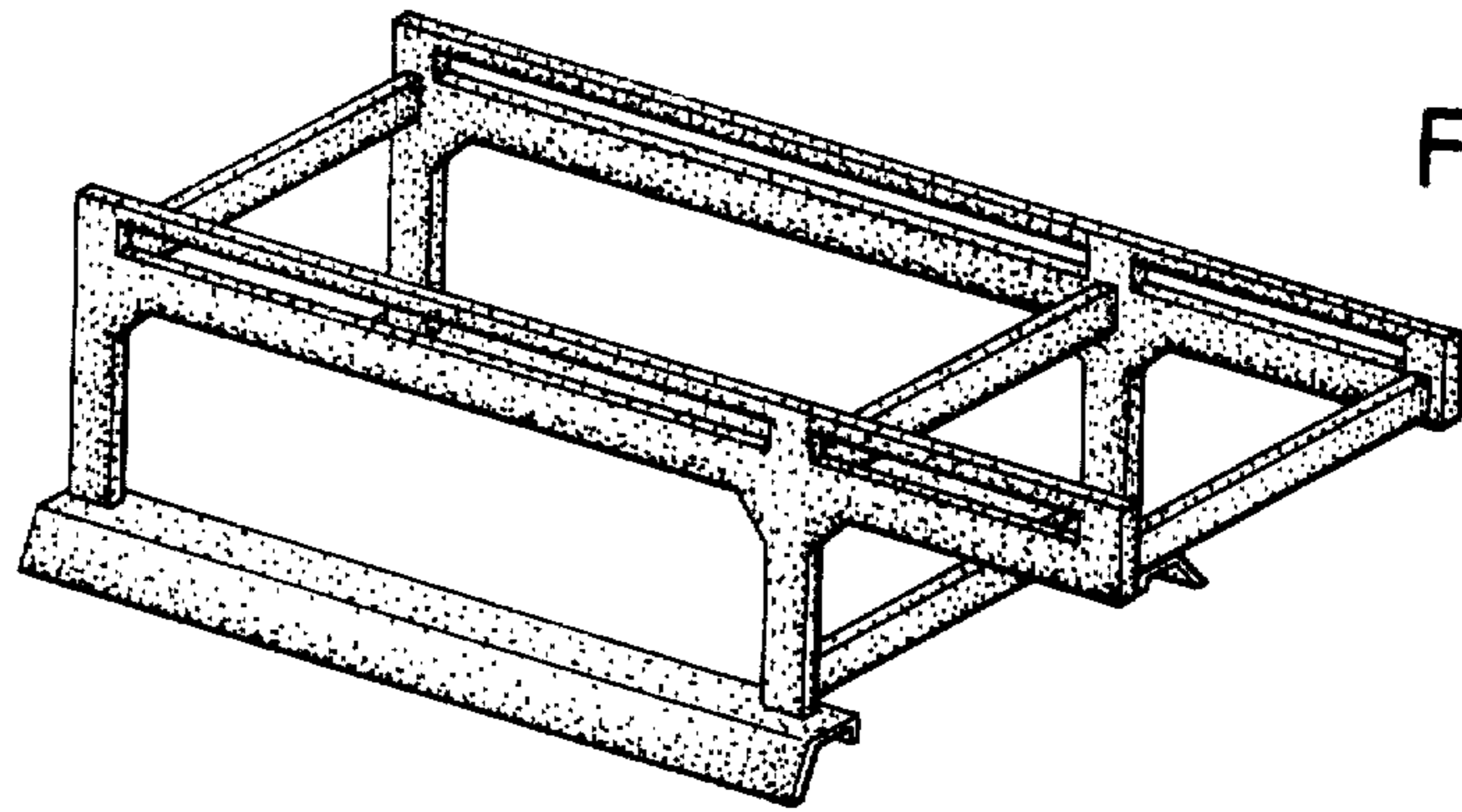


FIG 1

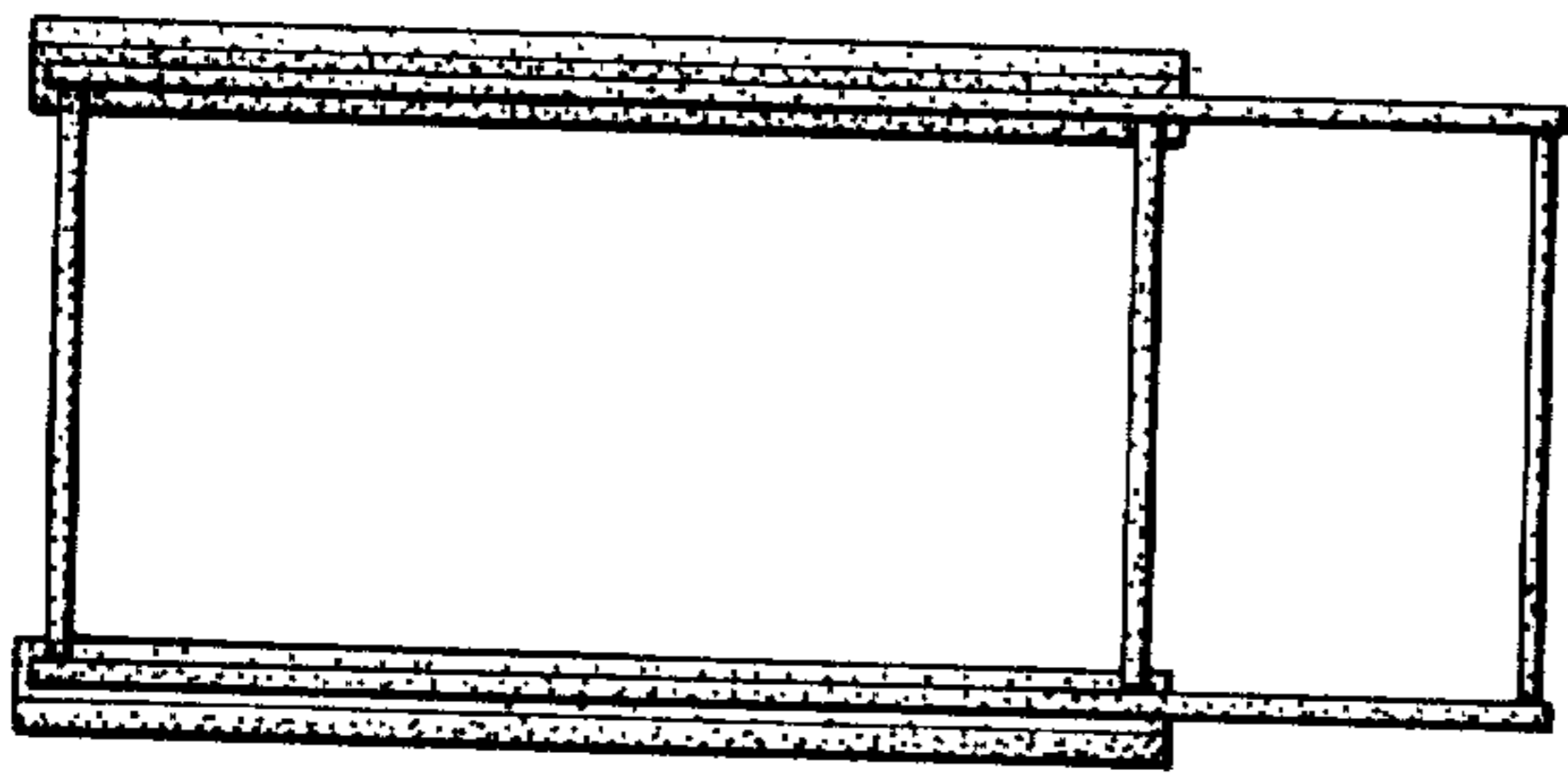


FIG 2

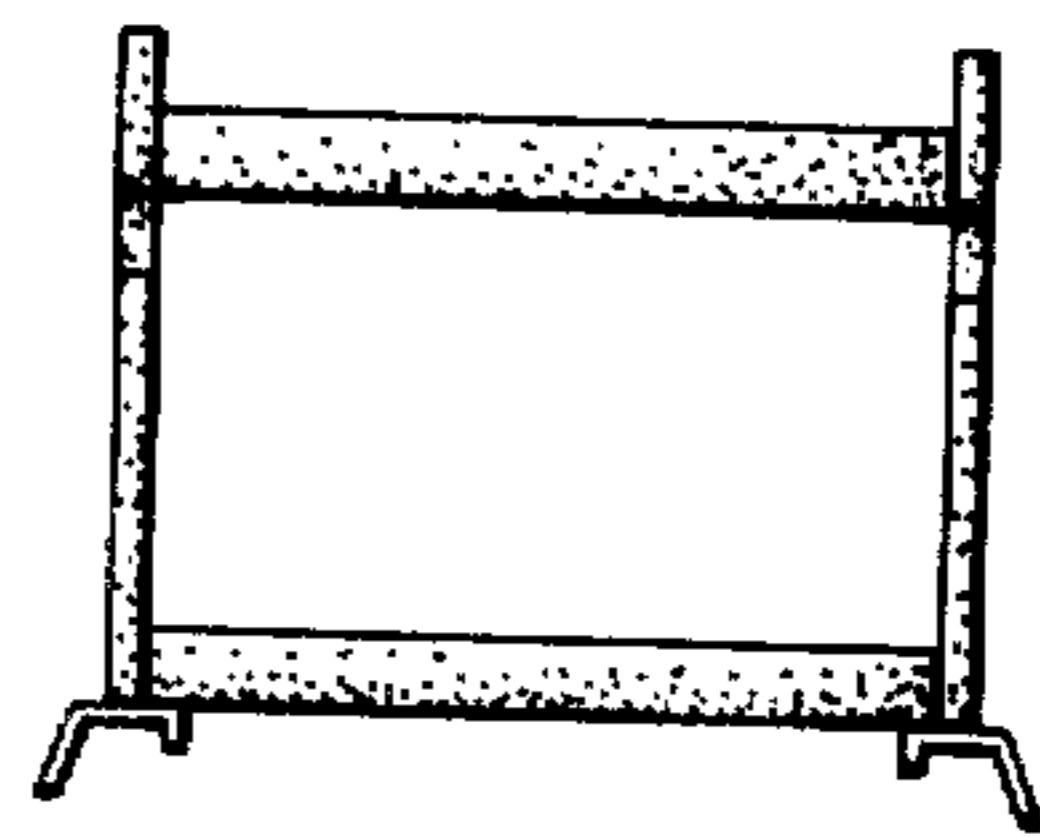


FIG 3

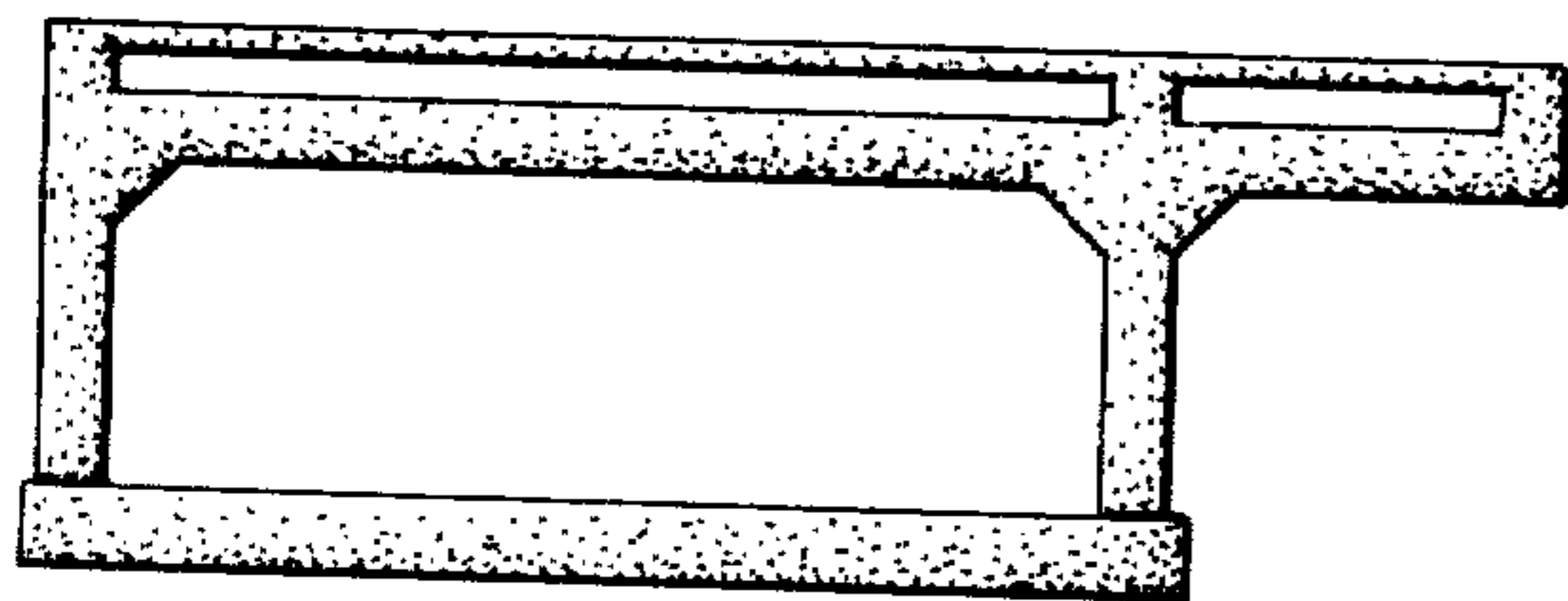


FIG 4

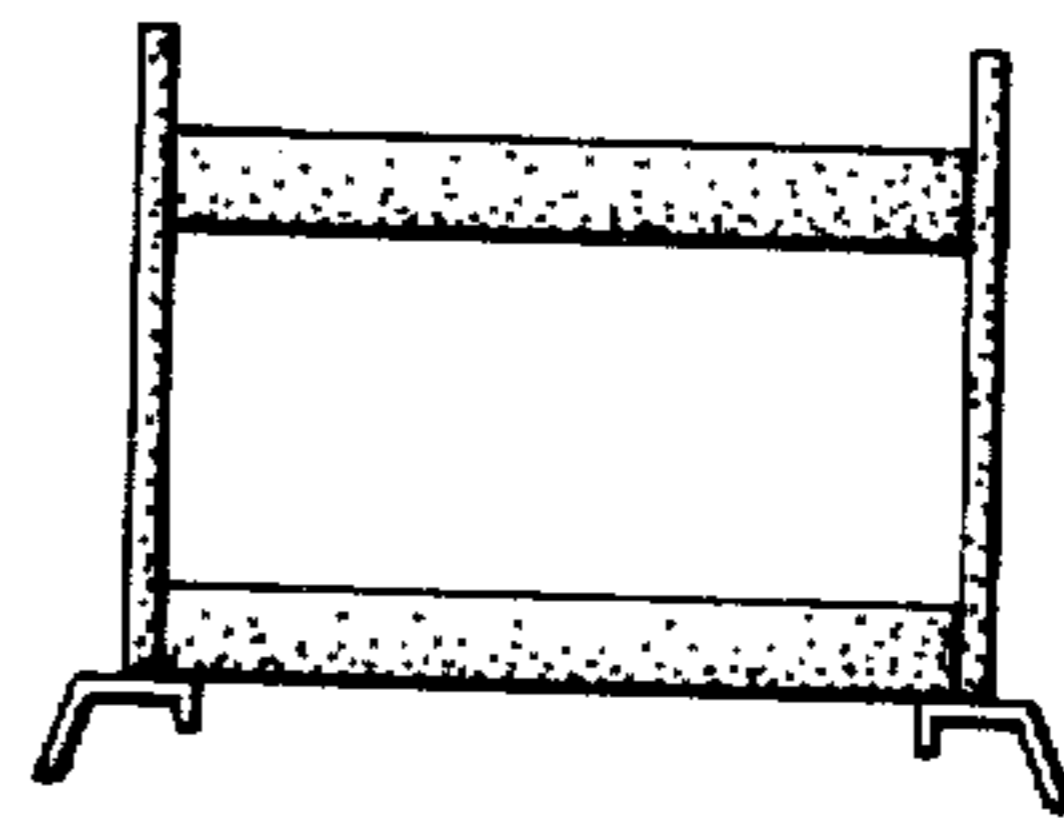


FIG 5

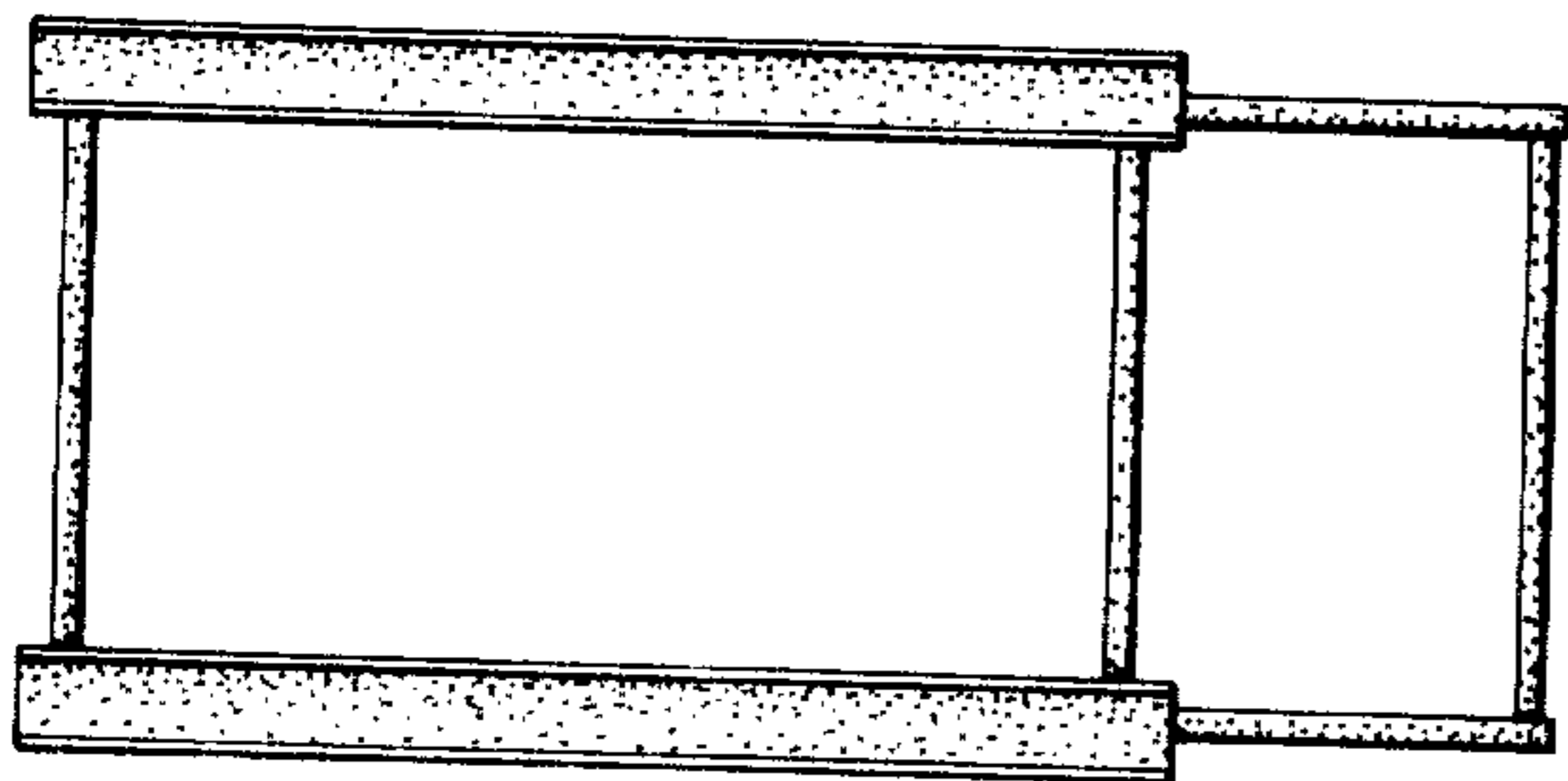


FIG 6