

[54] **TIRE**

[75] **Inventor:** **Geraldine Rollinger, Baden, Austria**

[73] **Assignee:** **Deutschen Semperit Gesellschaft
m.b.H., Munich, Fed. Rep. of
Germany**

[**] **Term:** **14 Years**

[21] **Appl. No.:** **92,341**

[22] **Filed:** **Nov. 8, 1979**

[30] **Foreign Application Priority Data**

May 8, 1979 [DE] Fed. Rep. of Germany 11,694

[51] **Int. Cl.** **D12-15**

[52] **U.S. Cl.** **D12/146; D12/147**

[58] **Field of Search** **D12/134, 141-143,
D12/145-151; 152/209 R, 209 NT, 209 WT,
209 D**

[56]

References Cited

U.S. PATENT DOCUMENTS

D. 208,134 7/1967 Pedroso D12/146
D. 232,819 9/1974 Hinkel et al. D12/142
D. 255,025 5/1980 Takigawa et al. D12/143

OTHER PUBLICATIONS

Tire Review, 2/76, p. 22, Semperit STC Highway
Truck Radial Tire, bottom left side of page.

Primary Examiner—James M. Gandy
Attorney, Agent, or Firm—Werner W. Kleeman

[57]

CLAIM

The ornamental design for a tire, as shown and de-
scribed.

DESCRIPTION

FIG. 1 is a perspective view of a tire showing my new
design, it being understood that the design is repeated
throughout the circumference of the tire, the opposite
side being substantially the same as that shown;
FIG. 2 is a front elevational view thereof.

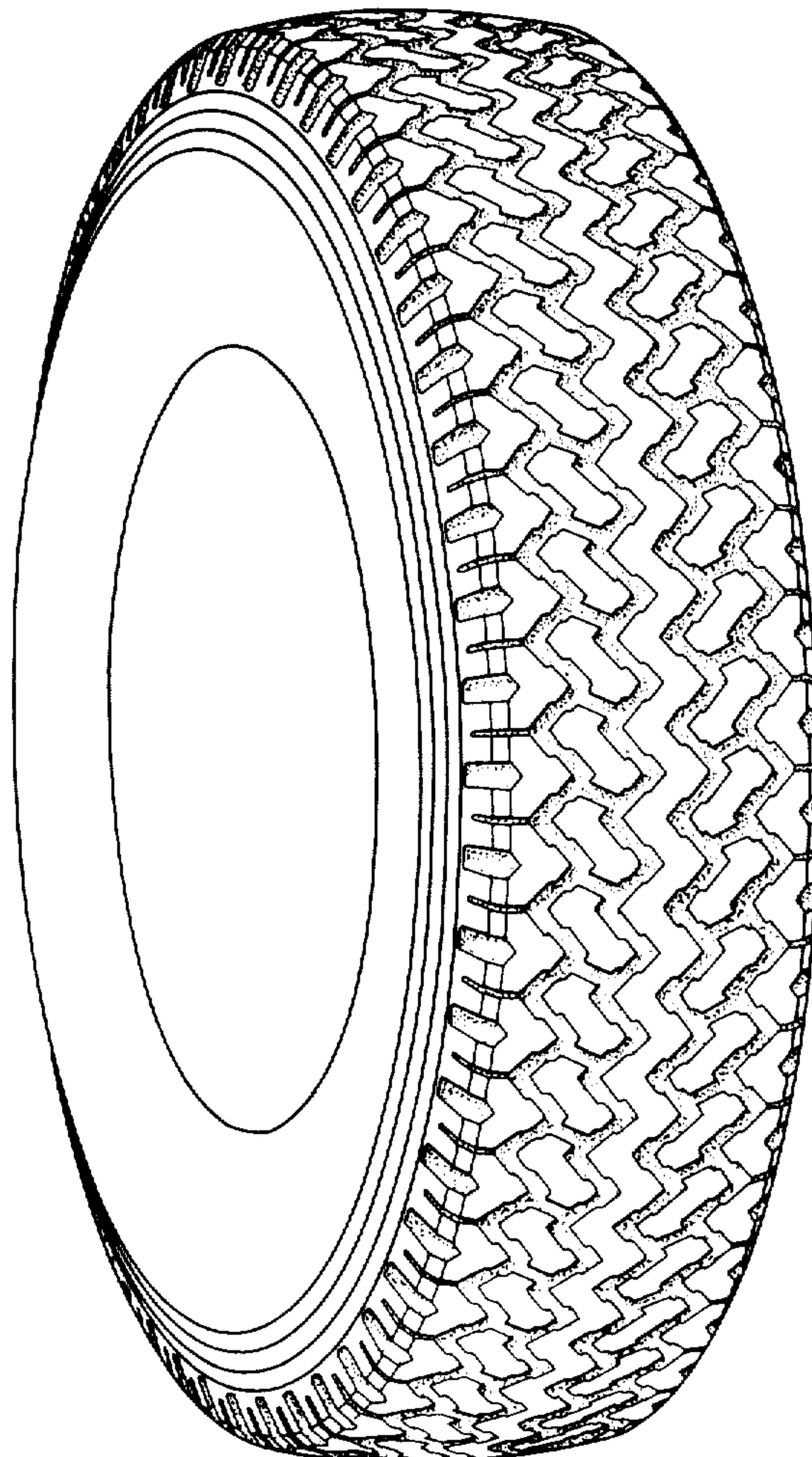


FIG. 1

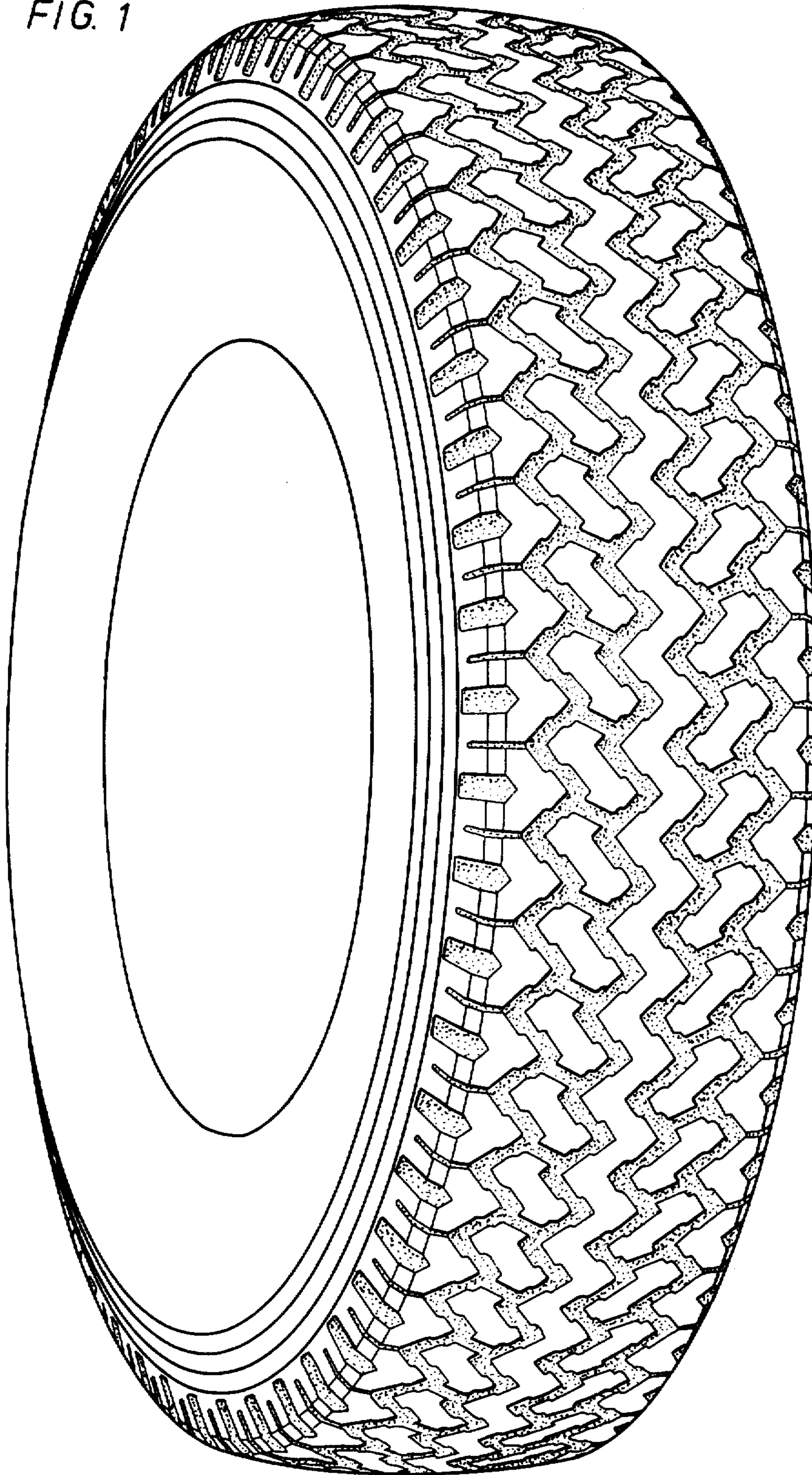


FIG. 2

