

[54] **HOLDER FOR BAGS FOR WASTE PRODUCTS**

[76] Inventor: **Erik W. Nilsson**, Tessins väg 8 A, S-217 58 Malmö, Sweden

[**] Term: **14 Years**

[21] Appl. No.: **54,136**

[22] Filed: **Jul. 2, 1979**

[51] Int. Cl. **D8-08**

[52] U.S. Cl. **D8/373; D8/354; D8/380**

[58] Field of Search **D8/354, 373, 380; D7/189, 193; 248/99, 95, 101, 222.1, 224.1, 224.2**

[56] **References Cited**

U.S. PATENT DOCUMENTS

3,091,422 5/1963 Hobbs 248/101

3,162,414 12/1964 Maschek 248/101

3,345,023 10/1967 Scott et al. 248/95

3,835,623 9/1974 Kline 248/224.1 X

3,840,261 10/1974 Fulkerson 248/224.1 X

Primary Examiner—A. Hugo Word
Attorney, Agent, or Firm—Howson and Howson

[57] **CLAIM**

The ornamental design for a holder for bags for waste products, substantially as shown and described.

DESCRIPTION

FIG. 1 is a perspective view of the complete assembled holder for bags for waste products, the hidden side thereof being plain;

FIG. 2 is a front view of the holder of FIG. 1;

FIG. 3 is a rear view of the holder of FIG. 1;

FIG. 4 is an end view of the holder of FIG. 3 as viewed from its left-hand end;

FIG. 5 is a bottom view of the holder;

FIG. 6 is a perspective view of a cross-piece constituting one part of the holder of FIG. 1; and

FIG. 7 is a perspective view of one of the two wedges of the holder of FIG. 1.

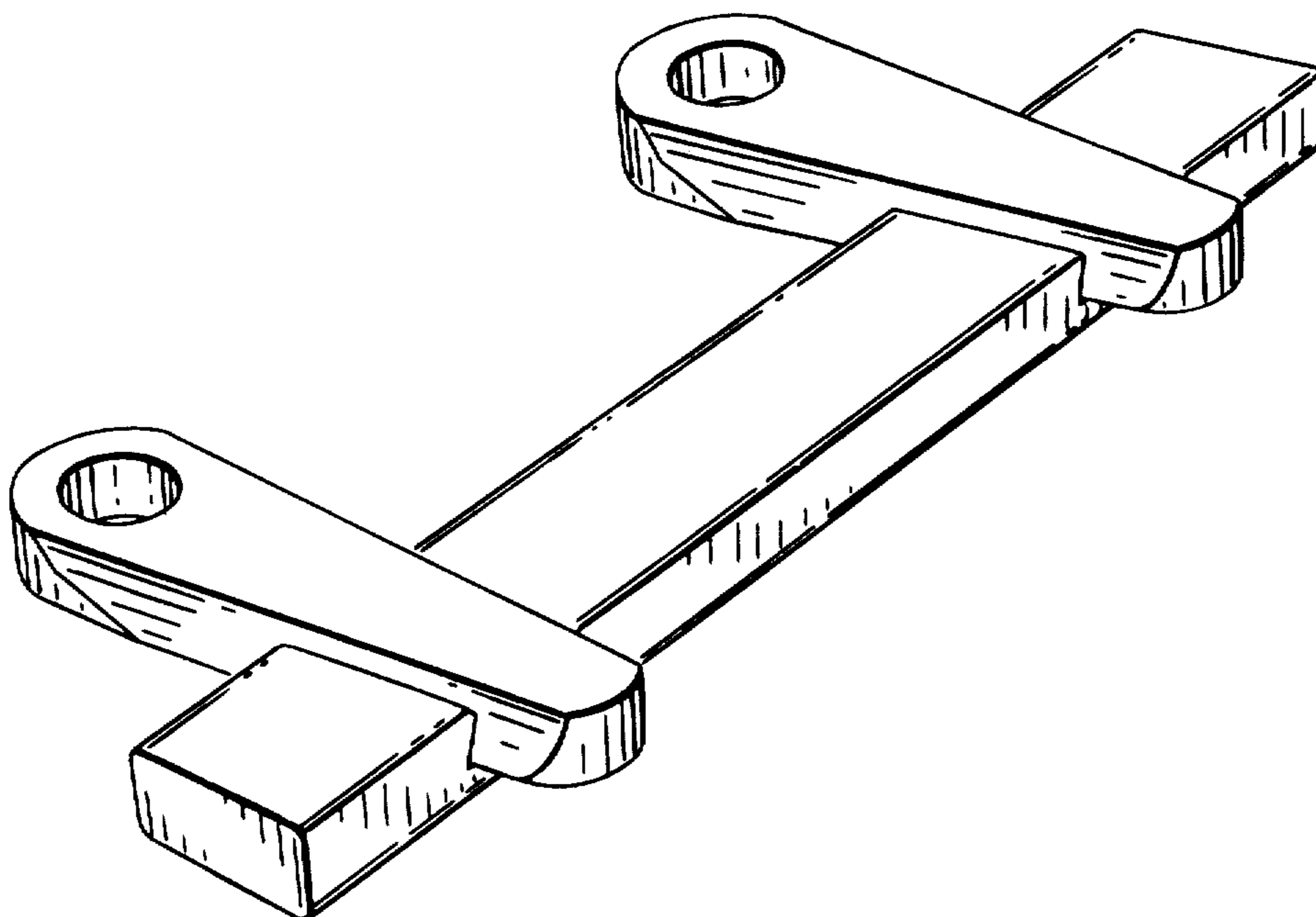


Fig. 1.

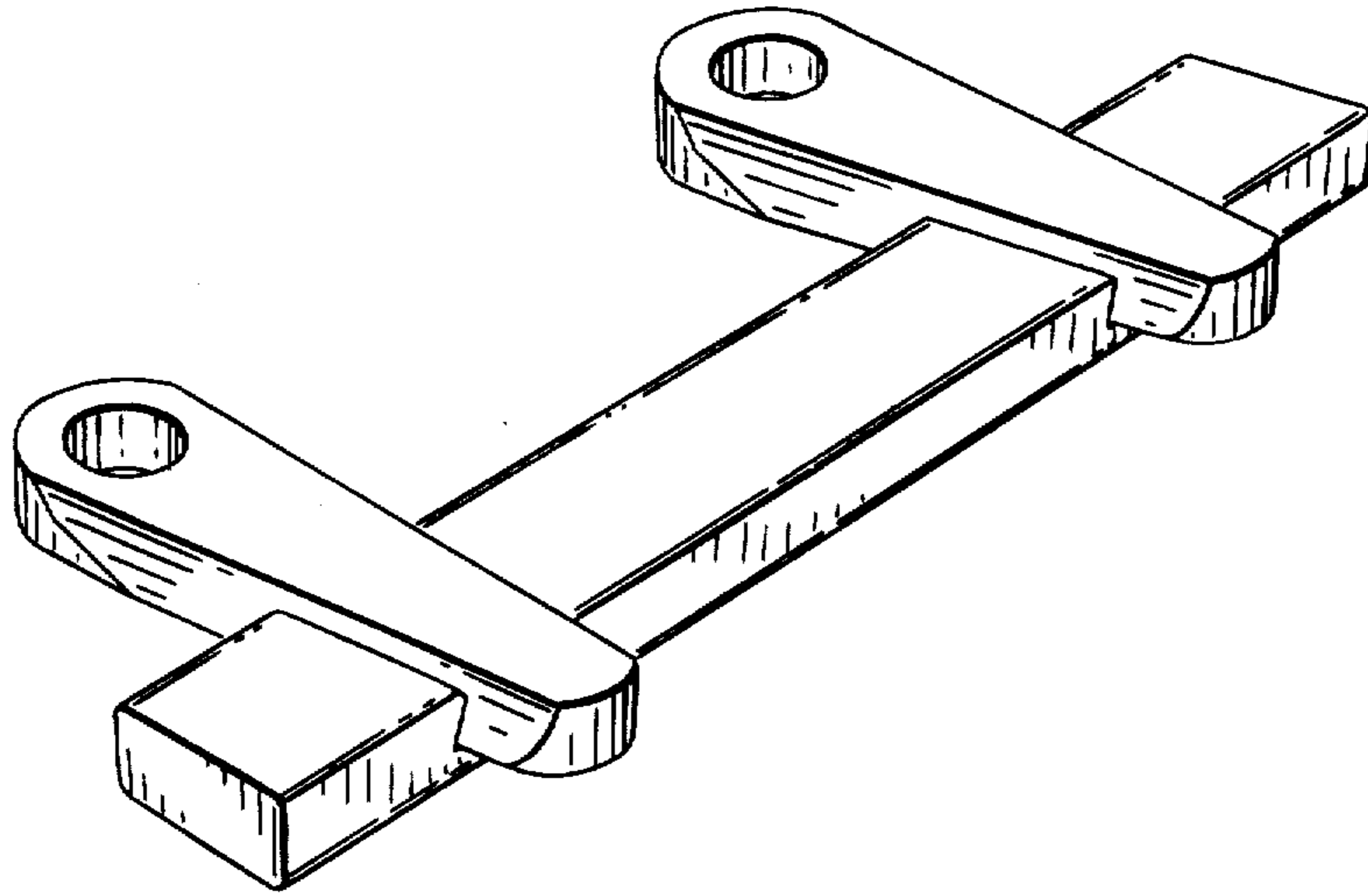


Fig. 2.

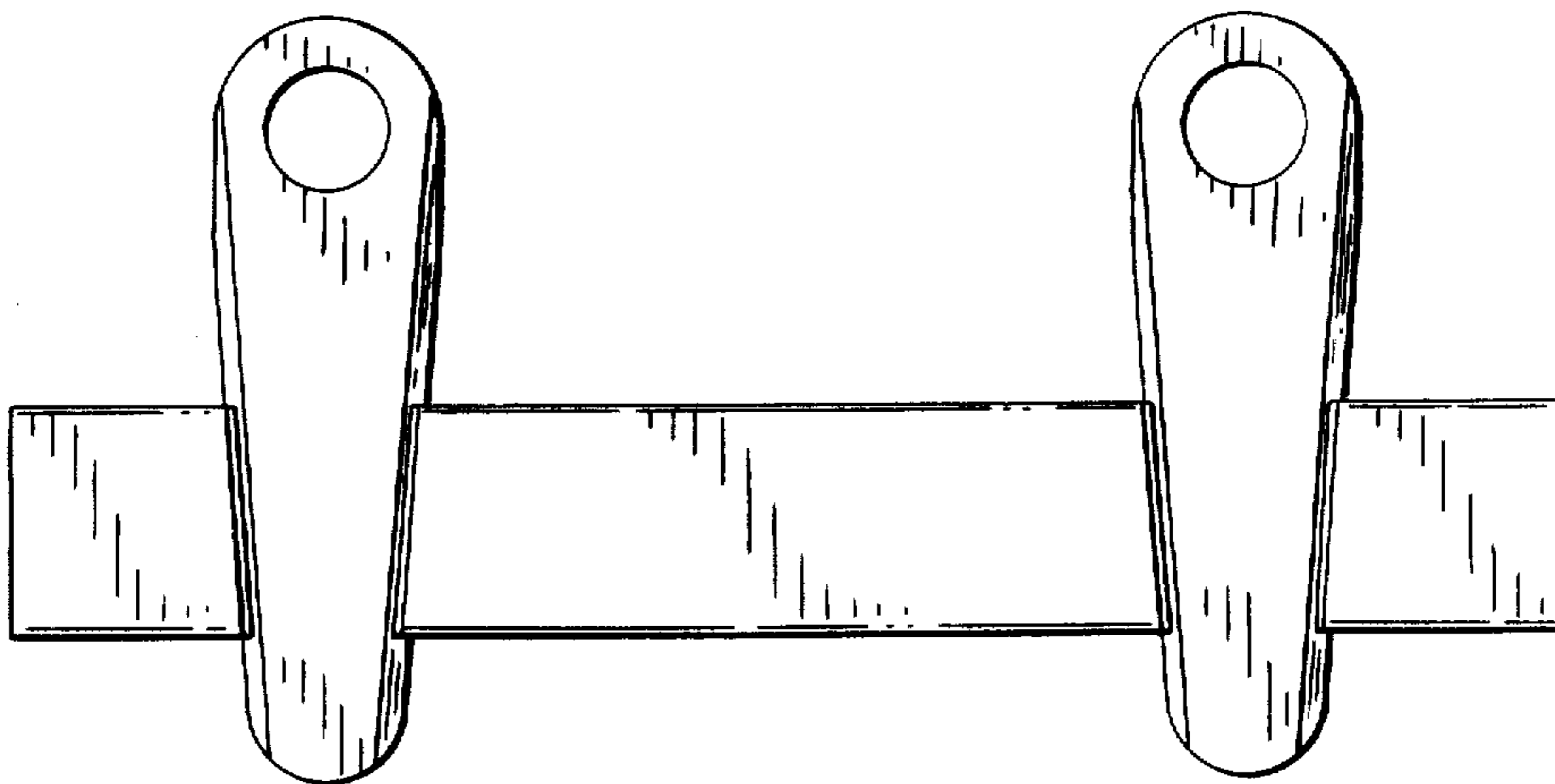


Fig. 3.

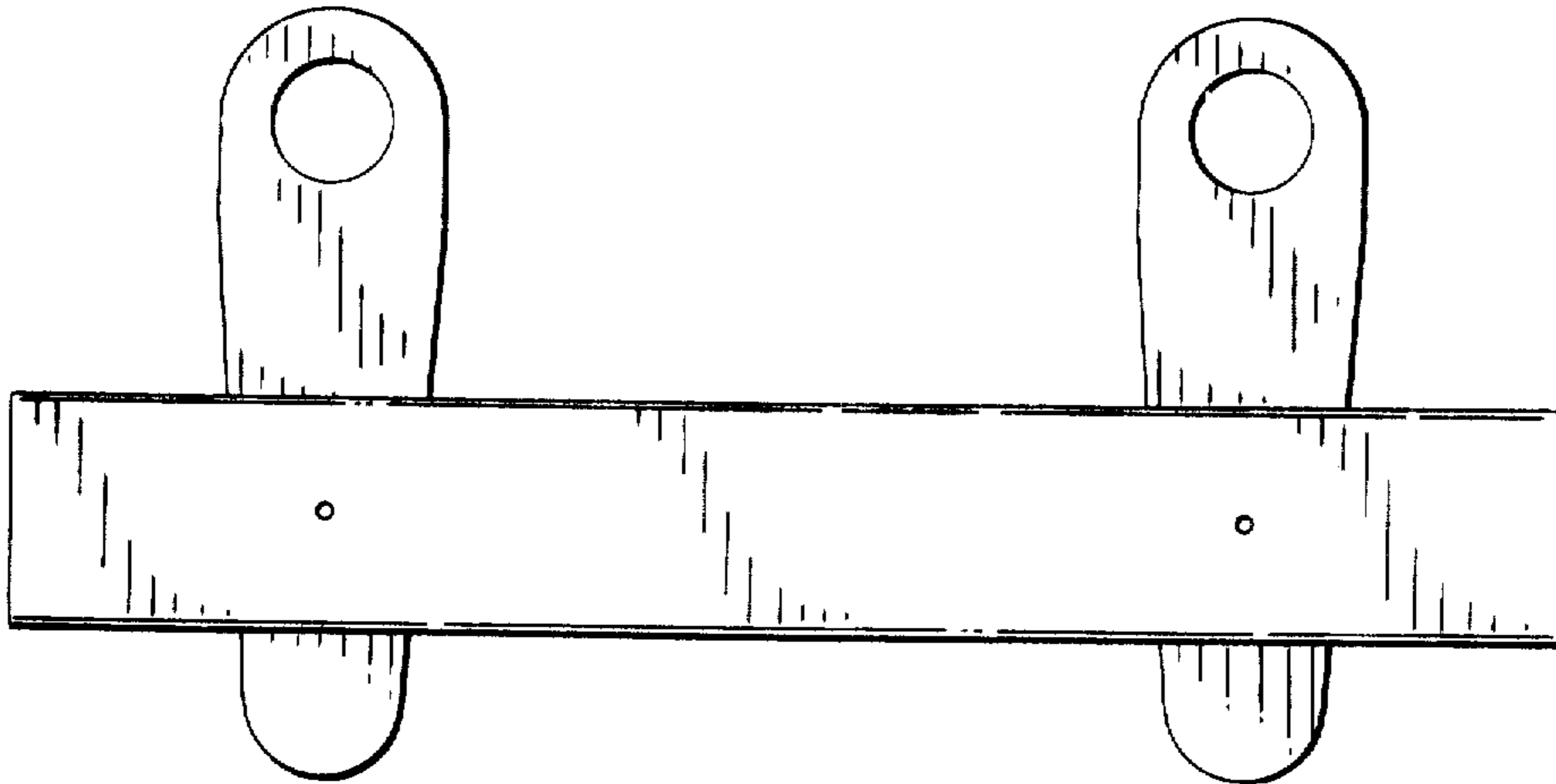


Fig. 4.



Fig. 5.

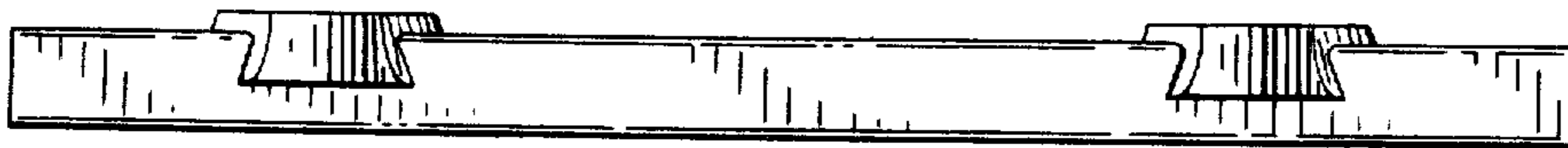


Fig. 6.

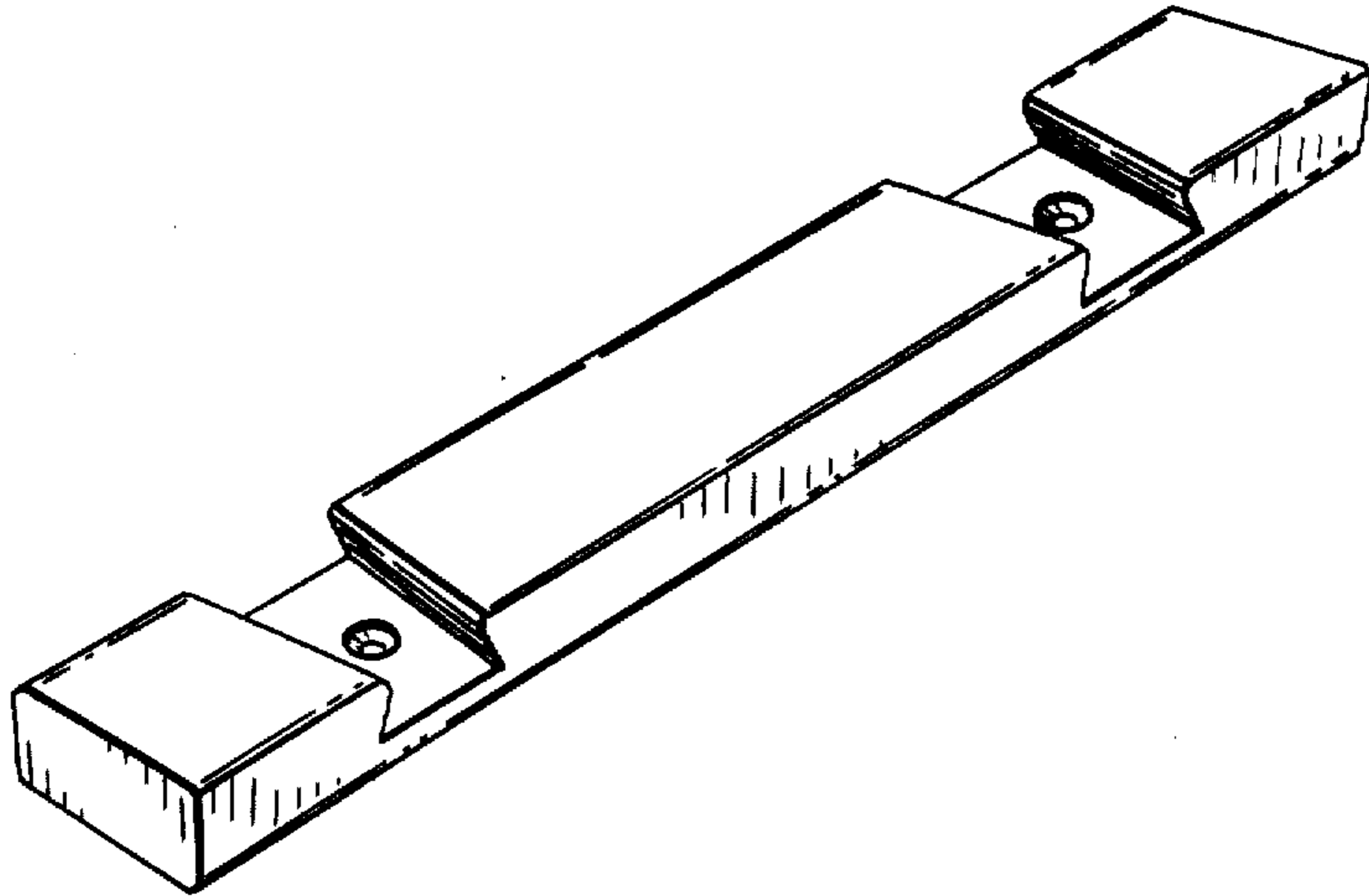


Fig. 7.

